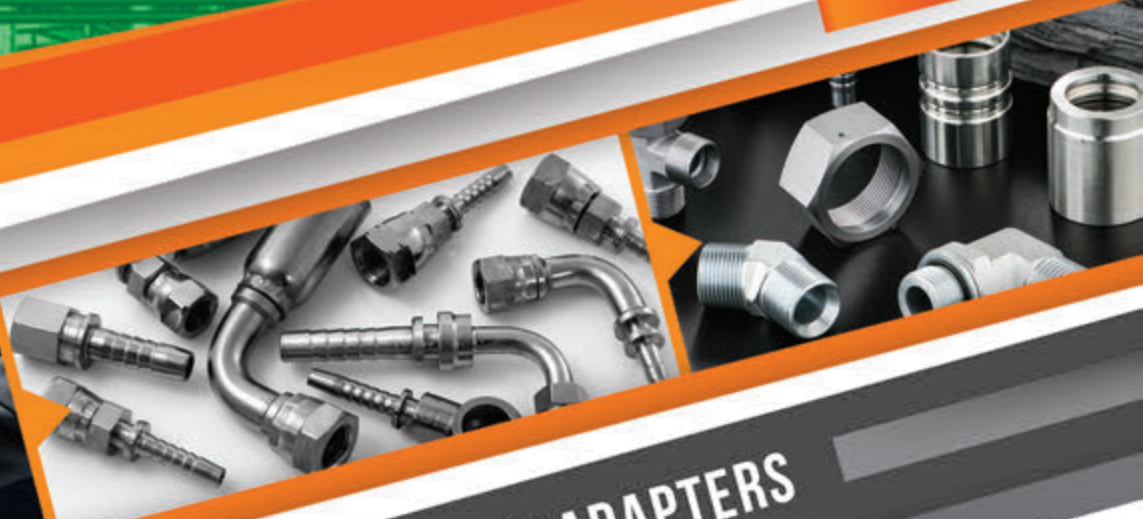


AF AXTION FLEX

 USA BRAND



HYDRAULIC HOSE FITTINGS AND ADAPTERS

www.axtionflex.com



Axxionflex, is a specialized manufacturer of hydraulic hoses, fittings and adapters with nearly a decade of production experience, and has become one of the finest best quality product in the market.

The company's operation scope involves all different areas of the hydraulic system, which include hydraulic hoses, hose fittings, transition joints, quick connectors, pipe joints assembly equipment, test equipment, hydraulic solenoid valves, precision high-pressure seamless steel tubes and imported seal parts of various materials, pressure levels and dimension norms. The products are used in the hydraulic and fluid conveying systems in the metallurgical machinery, petroleum, mining, construction chemicals, agriculture, textile, marine vessels, aerospace, military, electronic entertainment, pharmaceutical, and food industries.

The plant is fully automated CNC lathes and high-precision machine tools. The hydraulic fittings and hose assemblies of the company have formed a pattern of broad product ranges and large varieties.

The company has established a sound quality management system, and passed the ISO9001 international quality system certification and the internationally accepted DIN and SAE standards. The indicators of products have reached national and international standards, and the products are sold well throughout the world.

HYDRAULIC HOSE FITTINGS AND ADAPTERS



AF AXXION FLEX



- A.** Ferrules
- B.** Hose Fittings
- C.** BSP Adapters
- D.** Metric Tube Adapters
- E.** Metric Adapters
- F.** SAE Adapters
- G.** Flange Adapters
- H.** Quick Coupling & Others

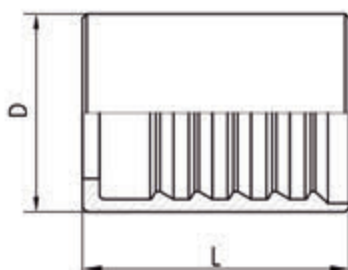


A. FERRULES



FERRULE FOR SAE100R1AT/EN 853 1SN HOSE

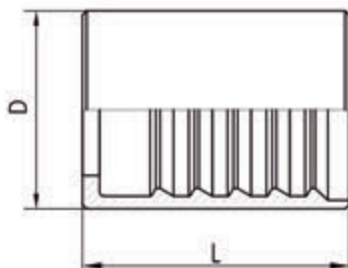
00110



Part No.	Hose Bore		Dimensions	
	DN	Dash	D	L
00110-03	5	03	16	21
00110-04	6	04	19	30
00110-05	8	05	20.5	32
00110-06	10	06	23.2	32
00110-08	12	08	27	35
00110-10	16	10	30.5	38
00110-12	20	12	34	44
00110-14	22	14	37	45
00110-16	25	16	42.6	52
00110-20	32	20	50.8	57
00110-24	40	24	58	60
00110-32	50	32	72	75
00110-40	63	40	87	79

FERRULE FOR SAE100R2AT/EN 853 2SN HOSE

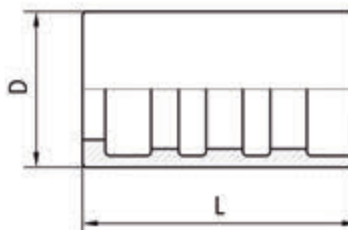
00210



Part No.	Hose Bore		Dimensions	
	DN	Dash	D	L
00210-03	5	03	19	21
00210-04	6	04	20.5	30
00210-05	8	05	22	32
00210-06	10	06	25	32
00210-08	12	08	28.6	35
00210-10	16	10	32	38
00210-12	20	12	36	44
00210-16	25	16	45	52
00210-20	32	20	56	57
00210-24	40	24	62.5	60
00210-32	50	32	75	75
00210-40	63	40	89	79

FERRULE FOR SAE 100R7/R8 HOSE

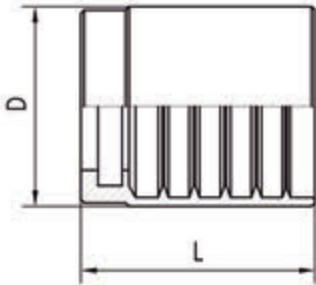
00018



Part No.	Hose Bore		Dimensions	
	DN	Dash	D	L
00018-02	4	02	13	24
00018-03	5	03	14	25
00018-04	6	04	17	30
00018-05	8	05	19	30
00018-06	10	06	21	30
00018-08	12	08	25.5	34
00018-10	16	10	29	38
00018-12	20	12	33	43
00018-16	25	16	43	50



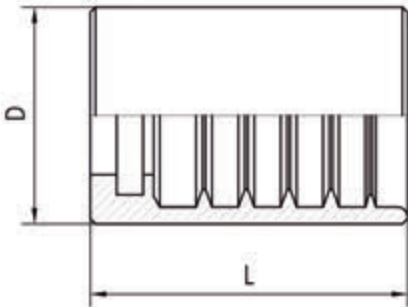
03310



FERRULE FOR SAE100R2AT/EN 853 1SN 2SN HOSE

Part No.	Hose Bore		Dimensions	
	DN	Dash	D	L
03310-03	5	03	19	24
03310-04	6	04	23	30
03310-05	8	05	24	31
03310-06	10	06	26	32
03310-08	12	08	29	34
03310-10	16	10	33	37
03310-12	20	12	37	43
03310-16	25	16	46	51
03310-20	32	20	59	57
03310-24	40	24	67	60
03310-32	50	32	80	75

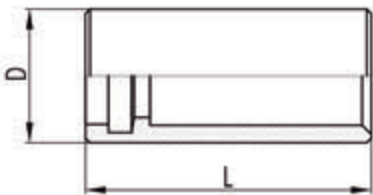
03300



FERRULE FOR SAE100R1AT/EN 853 1SN HOSE

Part No.	Hose Bore		Dimensions	
	DN	Dash	D	L
03300-04	6	04	20.5	30
03300-05	8	05	22	30.5
03300-06	10	06	24.5	32
03300-08	12	08	28	34
03300-10	16	10	31	37
03300-12	20	12	35	43
03300-16	25	16	43	51
03300-20	32	20	53	57
03300-24	40	24	62	60

00TF0

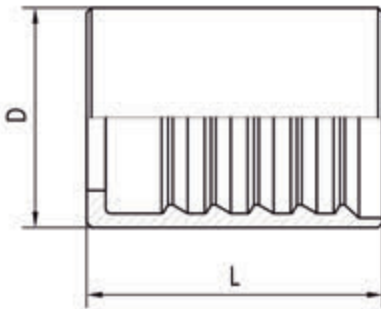


FERRULE FOR TEFLON HOSE

Part No.	Hose Bore		Dimensions	
	DN	Dash	D	L
00TF0-04	6	04	14.5	31
00TF0-05	8	05	16.5	30.6
00TF0-06	10	06	19	32
00TF0-08	12	08	24	34.5
00TF0-10	16	10	27	37
00TF0-12	20	12	30.1	43
00TF0-16	25	16	38	53

SKIVE FERRULE FOR SAE 100R1A/EN 853 1SN HOSE

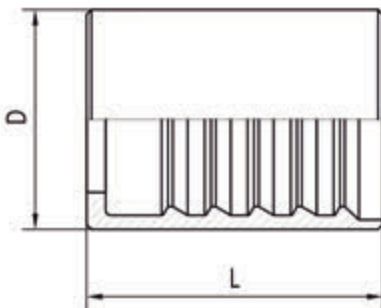
00100



Part No.	Hose Bore		Dimensions	
	DN	Dash	D	L
00100-04	6	04	19	30
00100-05	8	05	21	32
00100-06	10	06	23	32
00100-08	12	08	27	34
00100-10	16	10	30	39
00100-12	20	12	33	43
00100-14	22	14	37	44
00100-16	25	16	43	50
00100-20	32	20	51	57
00100-24	40	24	57	60
00100-32	50	32	70	75

SKIVE FERRULE FOR SAE 100R2A/EN 853 2SN HOSE

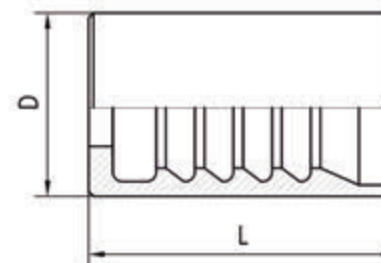
00200



Part No.	Hose Bore		Dimensions	
	DN	Dash	D	L
00200-04	6	04	21	30
00200-05	8	05	23	32
00200-06	10	06	25	32
00200-08	12	08	28.7	34
00200-10	16	10	31.5	39
00200-12	20	12	36	43
00200-16	25	16	44	50
00200-20	32	20	56	57
00200-24	40	24	62	60
00200-32	50	32	75	75

FERRULE FOR CHINA 1-WIRE HOSE

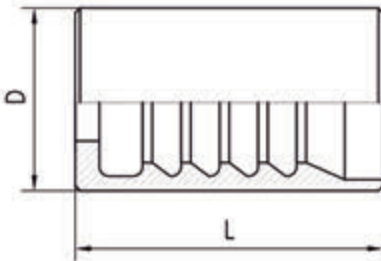
01100



Part No.	Hose Bore		Dimensions	
	DN	Dash	D	L
01100-02	4	02	17	23
01100-04	6	04	19	32
01100-05	8	05	21	34
01100-06	10	06	23	34
01100-08	12	08	28	38
01100-10	16	10	31	40
01100-12	20	12	34	44
01100-14	22	14	37	45
01100-16	25	16	41	54
01100-20	32	20	49	57
01100-24	40	24	55	60
01100-32	50	32	68	75



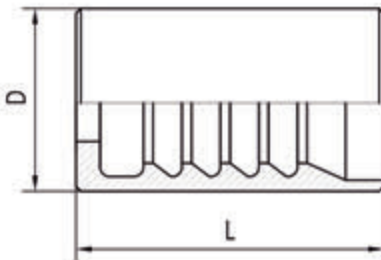
01200



FERRULE FOR CHINA 2-WIRE HOSE

Part No.	Hose Bore		Dimensions	
	DN	Dash	D	L
01200-04	6	04	21	32
01200-05	8	05	23	34
01200-06	10	06	25	34
01200-08	12	08	31	38
01200-10	16	10	34	40
01200-12	20	12	37	44
01200-14	22	14	40	45
01200-16	25	16	43	54
01200-20	32	20	51	57
01200-24	40	24	57	60
01200-32	50	32	70	75
01200-40	50	40	83	78

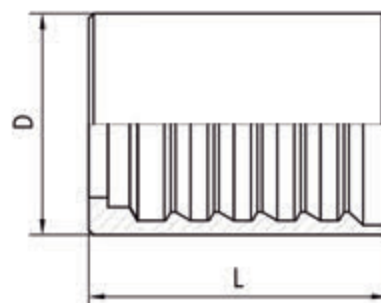
01300



FERRULE FOR CHINA 3-WIRE HOSE

Part No.	Hose Bore		Dimensions	
	DN	Dash	D	L
01300-04	6	04	23	32
01300-05	8	05	25	34
01300-06	10	06	27	34
01300-08	12	08	33	38
01300-10	16	10	36	40
01300-12	20	12	39	44
01300-14	22	14	42	45
01300-16	25	16	45	54
01300-20	32	20	53	57
01300-24	40	24	59	60
01300-32	50	32	72	75

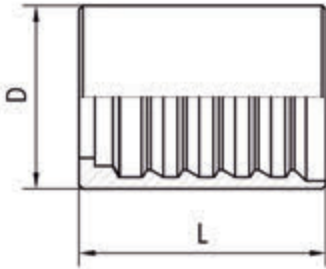
01400



FERRULE FOR CHINA 4-SPIRAL HOSE

Part No.	Hose Bore		Dimensions	
	DN	Dash	D	L
01400-06	10	06	29	34
01400-08	12	08	32	39
01400-10	16	10	37	42
01400-12	20	12	40	50
01400-14	22	14	43	50
01400-16	25	16	46	62
01400-20	32	20	54	70
01400-24	40	24	62	75
01400-32	50	32	75	80

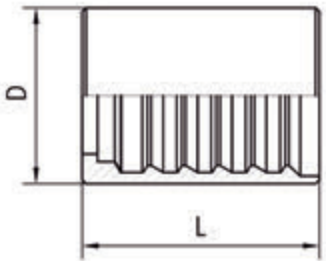
00400



FERRULE FOR 4SP, 4SH, R12 HOSE

Part No.	Hose Bore		Dimensions	
	DN	Dash	D	L
00400-04	6	04	22	32
00400-06	10	06	25.5	34
00400-08	12	08	29	38
00400-10	16	10	32.5	42
00400-12	20	12	38	50
00400-16	25	16	46	61.5
00400-20	32	20	57	70
00400-24	40	24	65	75
00400-32	50	32	79	80

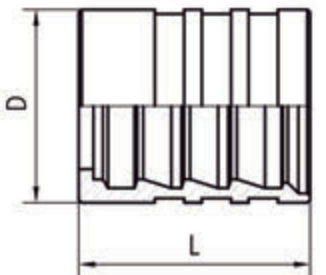
00401



FERRULE FOR DIN20023 4SH, R12 HOSE

Part No.	Hose Bore		Dimensions	
	DN	Dash	D	L
00401-20	32	20	53	70
00401-24	40	24	61	75
00401-32	50	32	77	80

00402

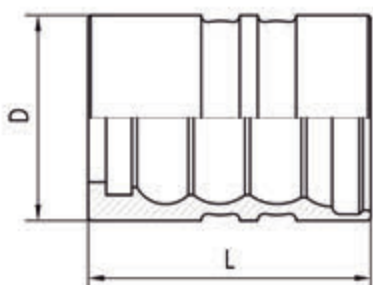


FERRULE FOR 4SH, R12 HOSE

Part No.	Hose Bore		Dimensions	
	DN	Dash	D	L
00402-10	16	10	33	39.5
00402-12	20	12	38	40
00402-16	25	16	46	51
00402-20	32	20	55	60



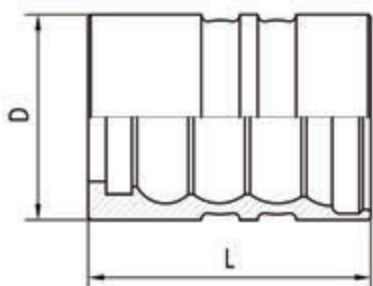
00405



INTERLOCK FERRULE FOR DIN 20023 4SH R12 HOSE

Part No.	Hose Bore		Dimensions	
	DN	Dash	D	L
00405-08	12	08	30.5	46
00405-12	20	12	40	55
00405-16	25	16	49	64
00405-20	32	20	56	70
00405-24	40	24	64	82.5
00405-32	50	32	80	83

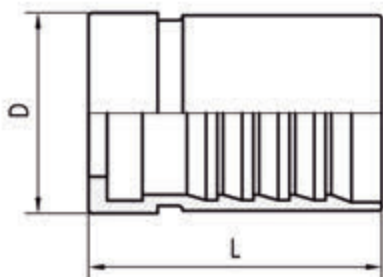
00605



INTERLOCK FERRULE FOR R13 HOSE

Part No.	Hose Bore		Dimensions	
	DN	Dash	D	L
00605-08	12	08	33	46
00605-12	20	12	40	55
00605-16	25	16	49	64
00605-20	32	20	61	70
00605-24	40	24	70	82.5
00605-32	50	32	85	83

00601



INTERLOCK FERRULE FOR DIN20023 R13,4SH HOSE

Part No.	Hose Bore		Dimensions	
	DN	Dash	D	L
00601-20	32	20	59.5	87
00601-24	40	24	71	100
00601-32	50	32	87	108





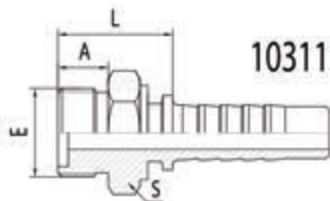
B. HOSE FITTINGS



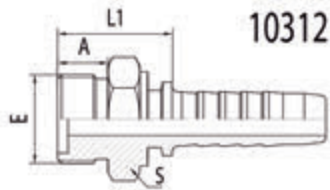
B. HOSE FITTINGS



O-RING METRIC MALE FLAT SEAL

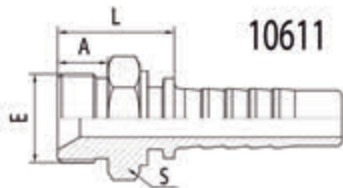


10311

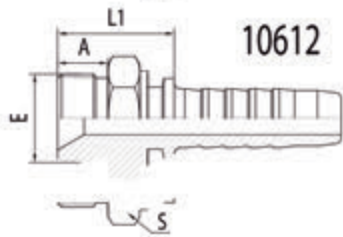


10312

Part No.		Thread E	Hose Bore		Dimensions			
Braided hose	Spiral hose		DN	DASH	A	L	L1	S
10311-14-04		M14X1.5	6	04	11	24.5		17
10311-16-05		M16X1.5	8	05	11	24.5		17
10311-18-06		M18X1.5	10	06	11	23.5		19
10311-22-08	10312-22-08	M22X1.5	12	08	12	28.5	28.5	22
10311-27-10	10312-27-10	M27X1.5	27	10	13	30.5	30.5	27
10311-30-12	10312-30-12	M30X1.5	20	12	14	33	34.5	32
10311-36-16	10312-36-16	M36X2	25	16	16	39	40	41
10311-39-16	10312-39-16	M39X2	25	16	18	41	42	41
10311-45-20	10312-45-20	M45X2	32	20	20	44.5	45	46
10311-52-24	10312-52-24	M52X2	40	24	22	48.5	49	55
10311-64-32	10312-64-32	M64X2	50	32	28	59	59	65



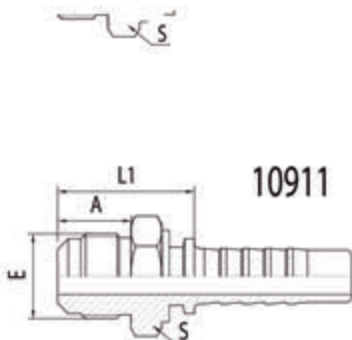
10611



10612

METRIC MALE 60° CONE SEAT

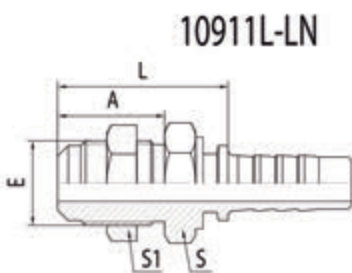
Part No.		Thread E	Hose Bore		Dimensions			
Braided hose	Spiral hose		DN	DASH	A	L	L1	S
10611-14-04		M14X1.5	6	04	14	28.5		19
10611-16-05		M16X1.5	8	05	14	28.5		22
10611-18-06		M18X1.5	10	06	15	29.5		24
10611-22-08	10612-22-08	M22X1.5	12	08	17	33.5	33.5	27
10611-24-10	10612-24-10	M24X1.5	16	10	17	35.5	35.5	30
10611-27-10	10612-27-10	M27X1.5	16	10	18	36.5	36.5	32
10611-30-12	10612-30-12	M30X1.5	20	12	18	37	38.5	36



10911

METRIC MALE 90° CONE

Part No.		Thread E	Hose Bore		Dimensions		
Braided hose			DN	DASH	A	L	S
10911-10-04		M10X1	6	04	12	24.5	12
10911-10-06		M10X1	10	06	12	25.5	17
10911-12-04		M12X1.5	6	04	14	26.5	14
10911-14-06		M14X1.5	10	06	19	32	17
10911-16-04		M16X1.5	6	04	19	32.5	19
10911-16-05		M16X1.5	8	05	19	33.5	19
10911-18-06		M18X1.5	10	06	19	34.5	22
10911-22-08		M22X1.5	12	08	19.5	35.5	24



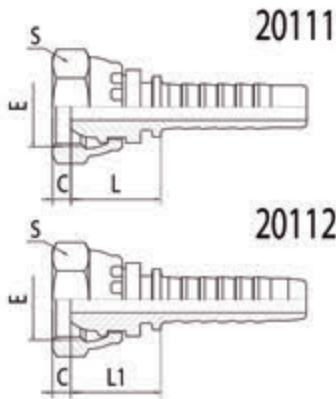
10911L-LN

METRIC MALE Lengthen 90° CONE

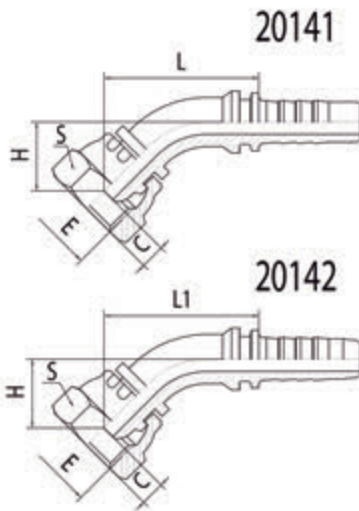
Part No.		Thread E	Hose Bore		Dimensions			
Braided hose			DN	DASH	A	L	S	S1
10911L-10-04 LN		M10X1	6	04	30	43.5	12	14
10911L-12-04 LN		M12X1.5	6	04	35	47.5	14	17
10911L-14-04 LN		M14X1.5	6	04	37	50.5	17	19
10911L-16-05 LN		M16X1.5	8	05	38	52.5	19	22
10911L-16-06 LN		M16X1.5	10	06	38	52.5	19	22
10911L-18-06 LN		M18X1.5	10	06	40	55.5	22	24
10911L-20-08 LN		M20X1.5	12	08	40	58.5	27	27
10911L-22-08 LN		M22X1.5	12	08	45	63.5	27	27



METRIC FEMALE MULTISEAL

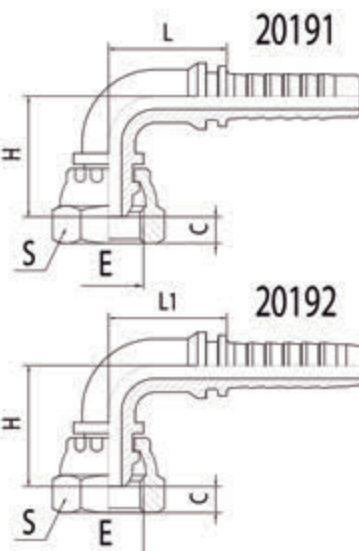


Part No.		Thread E	Hose Bore		Dimensions			
Braided hose	Spiral hose		DN	DASH	C	L	L1	S
20111-12-04		M12X1.5	6	04	5	17.5		17
20111-14-05		M14X1.5	8	05	5	19.5		19
20111-14-06		M14X1.5	10	06	5	19.5		19
20111-16-06		M16X1.5	10	06	6	19.5		22
20111-18-08	20112-18-08	M18X1.5	12	08	5.5	22.5	22.5	24
20111-20-08	20112-20-08	M20X1.5	12	08	6	23.5	23.5	27
20111-22-10	20112-22-10	M22X1.5	16	10	5	24.5	24.5	27
20111-24-10	20112-24-10	M24X1.5	16	10	5.5	25.5	25.5	30
20111-27-12	20112-27-12	M27X1.5	20	12	5	27.5	29	32



45°METRIC FEMALE MULTISEAL

Part No.		Thread E	Hose Bore		Dimensions				
Braided hose	Spiral hose		DN	DASH	C	L	L1	H	S
20141-12-04		M12X1.5	6	04	5	40		18	17
20141-14-05		M14X1.5	8	05	5	45		22	19
20141-16-06		M16X1.5	10	06	6	48.5		22.5	22
20141-18-08	20142-18-08	M18X1.5	12	08	5.5	58.5	58.5	24	24
20141-20-08	20142-20-08	M20X1.5	12	08	6	61	61	26.5	27
20141-22-10	20142-22-10	M22X1.5	16	10	5	64	64	27	27
20141-24-10	20142-24-10	M24X1.5	16	10	5.5	67.5	67.5	29	30
20141-27-12	20142-27-12	M27X1.5	20	12	5	72	73.5	30.5	32



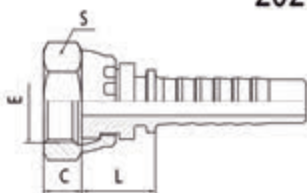
90°METRIC FEMALE MULTISEAL

Part No.		Thread E	Hose Bore		Dimensions				
Braided hose	Spiral hose		DN	DASH	C	L	L1	H	S
20191-12-04		M12X1.5	6	04	5	32		32	17
20191-14-05		M14X1.5	8	05	5	32.5		38.5	19
20191-16-06		M16X1.5	10	06	6	34		39.5	22
20191-18-08	20192-18-08	M18X1.5	12	08	5.5	42	42	42	24
20191-20-08	20192-20-08	M20X1.5	12	08	6	48.5	48.5	46.5	27
20191-22-10	20192-22-10	M22X1.5	16	10	5	51	51	47	27
20191-24-10	20192-24-10	M24X1.5	16	10	5.5	51.5	51.5	53	30
20191-27-12	20192-27-12	M27X1.5	20	12	5	58.5	60	55	32

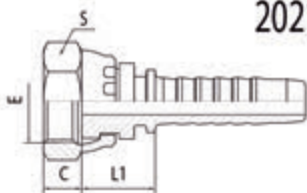
B. HOSE FITTINGS



20211



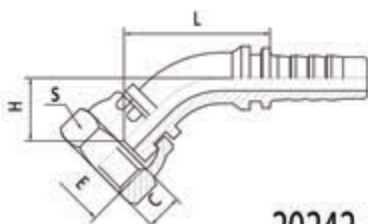
20212



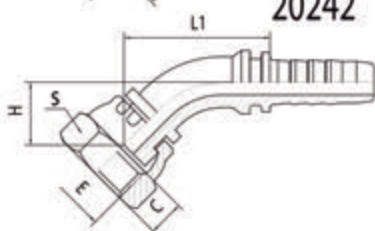
METRIC FEMALE FLAT SEAT

Part No.		Thread E	Hose Bore		Dimensions			
Braided hose	Spiral hose		DN	DASH	C	L	L1	S
20211-12-04		M12X1.5	6	04	7.5	15.5		17
20211-14-05		M14X1.5	8	05	8.5	16		19
20211-14-06		M14X1.5	10	06	8.5	16		19
20211-16-06		M16X1.5	10	06	9.5	16		22
20211-18-08	20212-18-08	M18X1.5	12	08	9.5	18.5	18.5	24
20211-20-08	20212-20-08	M20X1.5	12	08	10.5	19	19	27
20211-22-10	20212-22-10	M22X1.5	16	10	10	19	19	27
20211-24-10	20212-24-10	M24X1.5	16	10	11	19.5	19.5	30
20211-27-12	20212-27-12	M27X1.5	20	12	11	21.5	23	32

20241



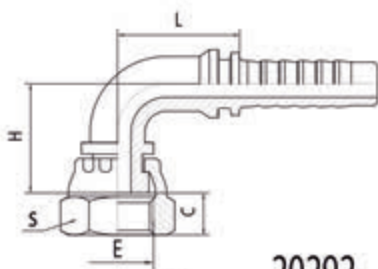
20242



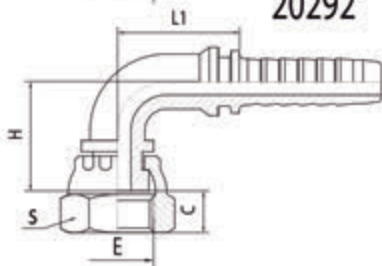
45°METRIC FEMALE FLAT SEAT

Part No.		Thread E	Hose Bore		Dimensions				
Braided hose	Spiral hose		DN	DASH	C	L	L1	H	S
20241-12-04		M12X1.5	6	04	7.5	40		18	17
20241-14-05		M14X1.5	8	05	8.5	46.5		18	19
20241-16-06		M16X1.5	10	06	9.5	45.5		18	22
20241-18-08	20242-18-08	M18X1.5	12	08	9.5	55.5	55.5	22	24
20241-20-08	20242-20-08	M20X1.5	12	08	10.5	58	58	23.5	27
20241-22-10	20242-22-10	M22X1.5	16	10	10	60.5	60.5	23.5	27
20241-24-10	20242-24-10	M24X1.5	16	10	11	62.5	62.5	25	30
20241-27-12	20242-27-12	M27X1.5	20	12	11	68	69.5	26.5	32

20291



20292

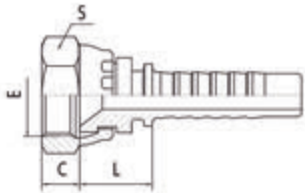


90°METRIC FEMALE FLAT SEAT

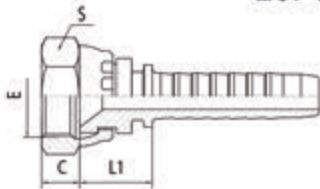
Part No.		Thread E	Hose Bore		Dimensions				
Braided hose	Spiral hose		DN	DASH	C	L	L1	H	S
20291-12-04		M12X1.5	6	04	7.5	30.5		30.5	17
20291-14-05		M14X1.5	8	05	8.5	33		34.5	19
20291-16-06		M16X1.5	10	06	9.5	36		37	22
20291-18-08	20292-18-08	M18X1.5	12	08	9.5	41	41	39.5	24
20291-20-08	20292-20-08	M20X1.5	12	08	10.5	48	48	42	27
20291-22-10	20292-22-10	M22X1.5	16	10	10	51	51	43	27
20291-24-10	20292-24-10	M24X1.5	16	10	11	52	52	47.5	30
20291-27-12	20292-27-12	M27X1.5	20	12	11	62	63.5	53.5	32



20711



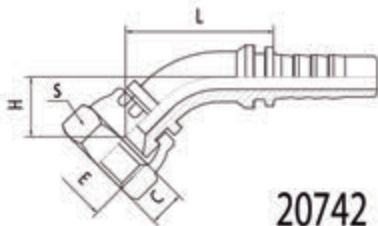
20712



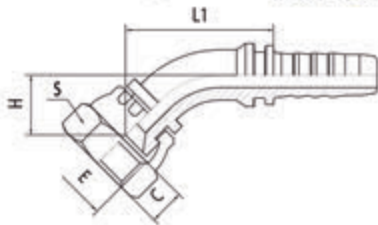
METRIC FEMALE 74° CONE SEAT

Part No.		Thread E	Hose Bore		Dimensions			
Braided hose	Spiral hose		DN	DASH	C	L	L1	S
20711-12-04		M12X1.5	6	04	7.5	15.5		17
20711-14-05		M14X1.5	8	05	8.5	16		19
20711-14-06		M14X1.5	10	06	8.5	16		19
20711-16-06		M16X1.5	10	06	9.5	16		22
20711-18-08	20712-18-08	M18X1.5	12	08	9.5	18.5	18.5	24
20711-20-08	20712-20-08	M20X1.5	12	08	10.5	19	19	27
20711-22-10	20712-22-10	M22X1.5	16	10	10	19	19	27
20711-24-10	20712-24-10	M24X1.5	16	10	11	19.5	19.5	30
20711-27-12	20712-27-12	M27X1.5	20	12	11	21.5	23	32

20741



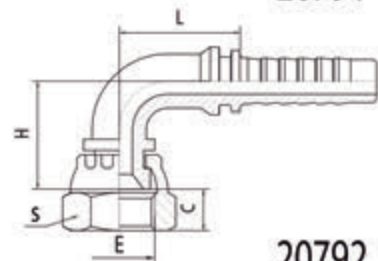
20742



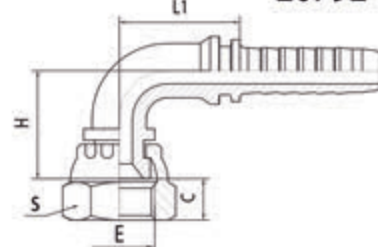
45° METRIC FEMALE 74° CONE SEAT

Part No.		Thread E	Hose Bore		Dimensions				
Braided hose	Spiral hose		DN	DASH	C	L	L1	H	S
20741-12-04		M12X1.5	6	04	7.5	40		18	17
20741-14-05		M14X1.5	8	05	8.5	46.5		18	19
20741-16-06		M16X1.5	10	06	9.5	45.5		18	22
20741-18-08	20742-18-08	M18X1.5	12	08	9.5	55.5	55.5	22	24
20741-20-08	20742-20-08	M20X1.5	12	08	10.5	58	58	23.5	27
20741-22-10	20742-22-10	M22X1.5	16	10	10	60.5	60.5	23.5	27
20741-24-10	20742-24-10	M24X1.5	16	10	11	62.5	62.5	25	30
20741-27-12	20742-27-12	M27X1.5	20	12	11	68	69.5	26.5	32

20791



20792



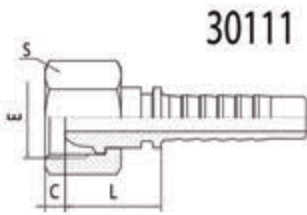
90° METRIC FEMALE 74° CONE SEAT

Part No.		Thread E	Hose Bore		Dimensions				
Braided hose	Spiral hose		DN	DASH	C	L	L1	H	S
20791-12-04		M12X1.5	6	04	7.5	30.5		30.5	17
20791-14-05		M14X1.5	8	05	8.5	33		34.5	19
20791-16-06		M16X1.5	10	06	9.5	36		37	22
20791-18-08	20792-18-08	M18X1.5	12	08	9.5	41	41	39.5	24
20791-20-08	20792-20-08	M20X1.5	12	08	10.5	48	48	42	27
20791-22-10	20792-22-10	M22X1.5	16	10	10	51	51	43	27
20791-24-10	20792-24-10	M24X1.5	16	10	11	52	52	47.5	30
20791-27-12	20792-27-12	M27X1.5	20	12	11	62	63.5	53.5	32

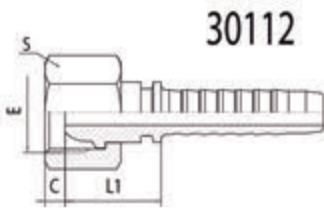
B. HOSE FITTINGS



METRIC FEMALE MULTISEAL



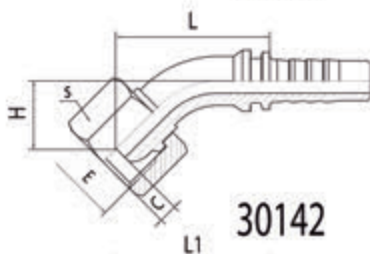
30111



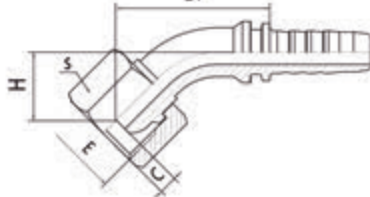
30112

Part No.		Thread E	Hose Bore		Dimensions			
Braided hose	Spiral hose		DN	DASH	C	L	L1	S
30111-14-04		M14X1.5	6	04	4	18.5		17
30111-16-05		M16X1.5	8	05	4.5	18.5		19
30111-18-06		M18X1.5	10	06	4.5	21.5		22
30111-20-06		M20X1.5	10	06	5.5	21.5		24
30111-22-08	30112-22-08	M22X1.5	12	08	5	24.5	24.5	27
30111-24-08	30112-24-08	M24X1.5	12	08	5	25.5	25.5	30
30111-27-10	30112-27-10	M27X1.5	16	10	4.5	27.5	27.5	32
30111-30-12	30112-30-12	M30X1.5	20	12	4	30	30	36
30111-36-14	30112-36-14	M36X2	22	14	5	30.5	32.5	41
30111-36-16	30112-36-16	M36X2	25	16	5	32	32	41
30111-39-16	30112-39-16	M39X2	25	16	5	35	35	46
30111-45-20	30112-45-20	M45X2	32	20	5	38.5	38	55
30111-52-24	30112-52-24	M52X2	40	24	5	39.5	40	60
30111-64-32	30112-64-32	M64X2	50	32	8	46	46	75

45°METRIC FEMALE MULTISEAL



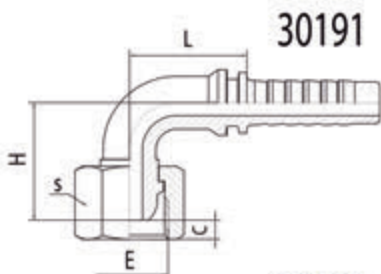
30141



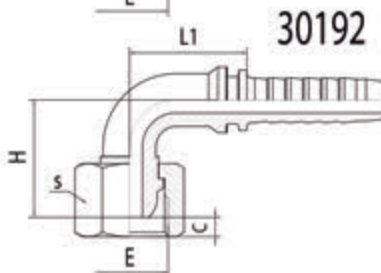
30142

Part No.		Thread E	Hose Bore		Dimensions				
Braided hose	Spiral hose		DN	DASH	C	L	L1	H	S
30141-14-04		M14X1.5	6	04	4	40		20	17
30141-16-05		M16X1.5	8	05	4.5	44.5		21	19
30141-18-06		M18X1.5	10	06	4.5	47.5		21	22
30141-22-08	30142-22-08	M22X1.5	12	08	5	58		25	27
30141-27-10	30142-27-10	M27X1.5	16	10	4.5	68.5		27.5	32
30141-30-12	30142-30-12	M30X1.5	20	12	4	69	70	30.5	36
30141-36-14	30142-36-14	M36X2	22	14	5	84.5	86.5	33	41
30141-39-16	30142-39-16	M39X2	25	16	5	86	86	36	46
30141-45-20	30142-45-20	M45X2	32	20	5	97	97.5	39.5	55
30141-52-24	30142-52-24	M52X2	40	24	5	117	117.5	44.5	60
30141-64-32	30142-64-32	M64X2	50	32	8	137.5	137.5	53	75

90°METRIC FEMALE MULTISEAL

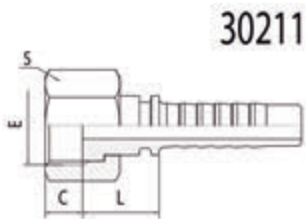


30191

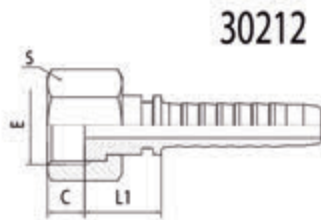


30192

Part No.		Thread E	Hose Bore		Dimensions				
Braided hose	Spiral hose		DN	DASH	C	L	L1	H	S
30191-14-04		M14X1.5	6	04	4	29		35	17
30191-16-05		M16X1.5	8	05	4.5	32		38.5	19
30191-18-06		M18X1.5	10	06	4.5	33		42	22
30191-22-08	30192-22-08	M22X1.5	12	08	5	47.5	47.5	47.5	27
30191-27-10	30192-27-10	M27X1.5	16	10	4.5	52.5	52.5	51.5	32
30191-30-12	30192-30-12	M30X1.5	20	12	4	58	59	57.5	36
30191-36-14	30192-36-14	M36X2	22	14	5	68	70	65	41
30191-39-16	30192-39-16	M39X2	25	16	5	74.5	74.5	72	46
30191-45-20	30192-45-20	M45X2	32	20	5	92.5	93	86.5	55
30191-52-24	30192-52-24	M52X2	40	24	5	111	111.5	99	60
30191-64-32	30192-64-32	M64X2	50	32	8	137	137	127	75

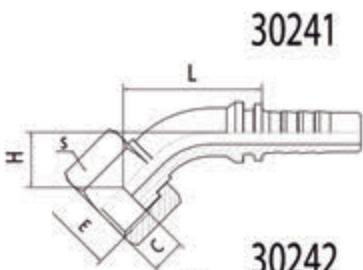


30211

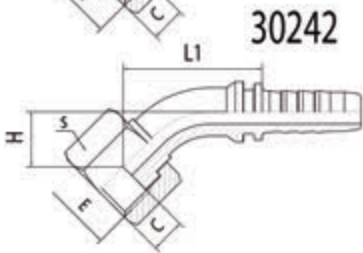


30212

Part No.			Hose Bore		METRIC FEMALE FLAT SEAT Dimensions			
Braided hose	Spiral hose	Thread E	DN	DASH	C	L	L1	S
30211-14-04		M14X1.5	6	04	8	14.5		17
30211-16-04		M16X1.5	6	04	8	14.5		19
30211-16-05		M16X1.5	8	05	8	15.5		19
30211-18-05		M18X1.5	8	05	8.5	16.5		22
30211-18-06		M18X1.5	10	06	8.5	16.5		22
30211-20-06		M20X1.5	10	06	10	17.5		24
30211-22-06		M22X1.5	10	06	10	17.5		27
30211-22-08	30212-22-08	M22X1.5	12	08	10	19.5	19.5	27
30211-24-08	30212-24-08	M24X1.5	12	08	11	18.5	18.5	30
30211-27-10	30212-27-10	M27X1.5	16	10	10.5	21.5	21.5	32
30211-30-12	30212-30-12	M30X1.5	20	12	11	22	23	36
30211-36-14	30212-36-14	M36X2	22	14	13	22.5	24.5	41
30211-36-16	30212-36-16	M36X2	25	16	13	28	24	41
30211-39-16	30212-39-16	M39X2	25	16	13	27	27	46
30211-45-20	30212-45-20	M45X2	32	20	15	27.5	28	55
30211-52-24	30212-52-24	M52X2	40	24	17	27.5	28	60
30211-64-32	30212-64-32	M64X2	50	32	23	31	31	75

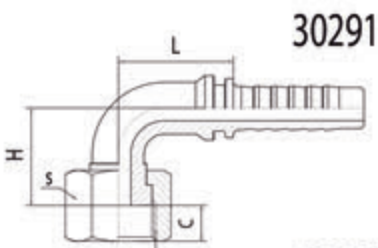


30241

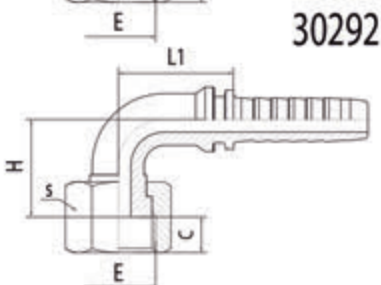


30242

Part No.			Hose Bore		45°METRIC FEMALE FLAT SEAT Dimensions				
Braided hose	Spiral hose	Thread E	DN	DASH	C	L	L1	H	S
30241-14-04		M14X1.5	6	04	8	40		17	17
30241-16-05		M16X1.5	8	05	8	44.5		21	19
30241-18-06		M18X1.5	10	06	8.5	45		20	22
30241-22-08	30242-22-08	M22X1.5	12	08	10	60	60	21	27
30241-27-10	30242-27-10	M27X1.5	16	10	10.5	62	62	23	32
30241-30-12	30242-30-12	M30X1.5	20	12	11	68	69	25.5	36
30241-36-14	30242-36-14	M36X2	22	14	13	79	85	27.5	41
30241-39-16	30242-39-16	M39X2	25	16	13	79	79	29	46
30241-45-20	30242-45-20	M45X2	32	20	15	92.5	90	32.5	55
30241-52-24	30242-52-24	M52X2	40	24	17	115.5	110	37.5	60
30241-64-32	30242-64-32	M64X2	50	32	23	145	145	45.5	75



30291



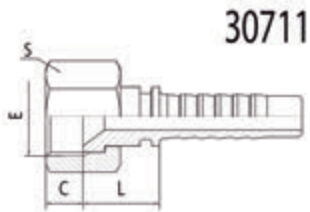
30292

Part No.			Hose Bore		90°METRIC FEMALE FLAT SEAT Dimensions				
Braided hose	Spiral hose	Thread E	DN	DASH	C	L	L1	H	S
30291-14-04		M14X1.5	6	04	8	29		29	17
30291-16-05		M16X1.5	8	05	8	35		35	19
30291-18-06		M18X1.5	10	06	8.5	33		39	22
30291-22-08	30292-22-08	M22X1.5	12	08	10	48	48	39	27
30291-27-10	30292-27-10	M27X1.5	16	10	10.5	53.5	53.5	45.5	32
30291-30-12	30292-30-12	M30X1.5	20	12	11	58	59	50.5	36
30291-36-14	30292-36-14	M36X2	22	14	13	66	68	59	41
30291-39-16	30292-39-16	M39X2	25	16	13	76.5	76.5	68	46
30291-45-20	30292-45-20	M45X2	32	20	15	92.5	93	76	55
30291-52-24	30292-52-24	M52X2	40	24	17	111	111.5	86	60
30291-64-32	30292-64-32	M64X2	50	32	23	134	134	111	75

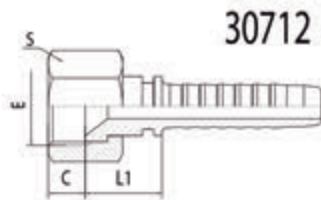
B. HOSE FITTINGS



METRIC FEMALE 74° CONE SEAT



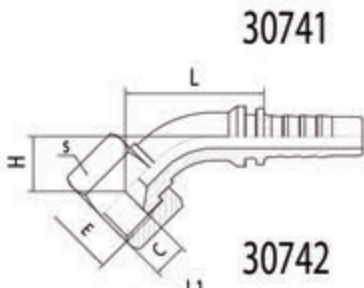
30711



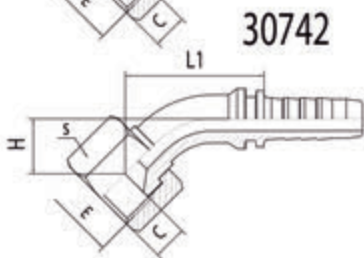
30712

Part No.		Thread E	Hose Bore		Dimensions			
Braided hose	Spiral hose		DN	DASH	C	L	L1	S
30711-14-04		M14X1.5	6	04	8	14.5		17
30711-16-05		M16X1.5	8	05	8	15.5		19
30711-18-06		M18X1.5	10	06	8.5	16.5		22
30711-20-06		M20X1.5	10	06	10	17.5		24
30711-22-08	30712-22-08	M22X1.5	12	08	10	19.5	19.5	27
30711-24-08	30712-24-08	M24X1.5	12	08	11	18.5	18.5	30
30711-27-10	30712-27-10	M27X1.5	16	10	10.5	21.5	21.5	32
30711-30-12	30712-30-12	M30X1.5	20	12	11	22	23	36
30711-36-14	30712-36-14	M36X2	22	14	13	22.5	24.5	41
30711-36-16	30712-36-16	M36X2	25	16	13	28	24	41
30711-39-16	30712-39-16	M39X2	25	16	13	27	27	46
30711-45-20	30712-45-20	M45X2	32	20	15	27.5	28	55
30711-52-24	30712-52-24	M52X2	40	24	17	27.5	28	60
30711-64-32	30712-64-32	M64X2	50	32	23	31	31	75

45° METRIC FEMALE 74° CONE SEAT



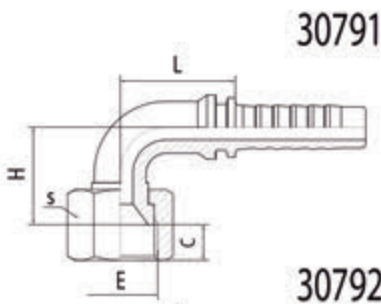
30741



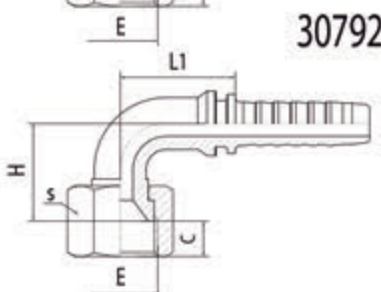
30742

Part No.		Thread E	Hose Bore		Dimensions				
Braided hose	Spiral hose		DN	DASH	C	L	L1	H	S
30741-14-04		M14X1.5	6	04	8	40		17	17
30741-16-05		M16X1.5	8	05	8	44.5		21	19
30741-18-06		M18X1.5	10	06	8.5	45		20	22
30741-22-08	30742-22-08	M22X1.5	12	08	10	60	60	21	27
30741-27-10	30742-27-10	M27X1.5	16	10	10.5	62	62	23	32
30741-30-12	30742-30-12	M30X1.5	20	12	11	68	69	25.5	36
30741-36-14	30742-36-14	M36X2	22	14	13	79	85	27.5	41
30741-39-16	30742-39-16	M39X2	25	16	13	79	79	29	46
30741-45-20	30742-45-20	M45X2	32	20	15	92.5	90	32.5	55
30741-52-24	30742-52-24	M52X2	40	24	17	115.5	110	37.5	60
30741-64-32	30742-64-32	M64X2	50	32	23	145	145	45.5	75

90° METRIC FEMALE 74° CONE SEAT



30791

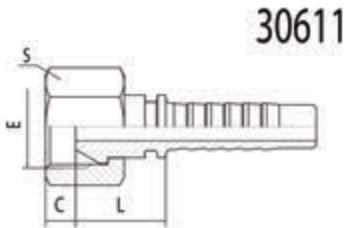


30792

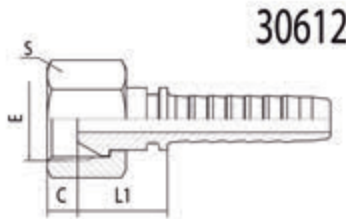
Part No.		Thread E	Hose Bore		Dimensions				
Braided hose	Spiral hose		DN	DASH	C	L	L1	H	S
30791-14-04		M14X1.5	6	04	8	29		29	17
30791-16-05		M16X1.5	8	05	8	35		35	19
30791-18-06		M18X1.5	10	06	8.5	33		39	22
30791-22-08	30792-22-08	M22X1.5	12	08	10	48	48	39	27
30791-27-10	30792-27-10	M27X1.5	16	10	10.5	53.5	53.5	45.5	32
30791-30-12	30792-30-12	M30X1.5	20	12	11	58	59	50.5	36
30791-36-14	30792-36-14	M36X2	22	14	13	66	68	59	41
30791-39-16	30792-39-16	M39X2	25	16	13	76.5	76.5	68	46
30791-45-20	30792-45-20	M45X2	32	20	15	92.5	93	76	55
30791-52-24	30792-52-24	M52X2	40	24	17	111	111.5	86	60
30791-64-32	30792-64-32	M64X2	50	32	23	134	134	111	75



METRIC FEMALE 60° CONE



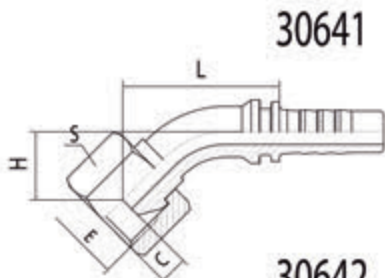
30611



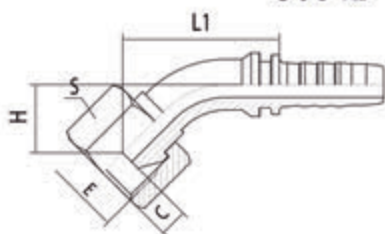
30612

Part No.		Thread E	Hose Bore		Dimensions			
Braided hose	Spiral hose		DN	DASH	C	L	L1	S
30611-14-04		M14X1.5	6	04	5.5	17.5		17
30611-16-05		M16X1.5	8	05	5.5	18.5		19
30611-18-06		M18X1.5	10	06	6.5	18.5		22
30611-22-08	30612-22-08	M22X1.5	12	08	7.5	22.5	22.5	27
30611-27-10	30612-27-10	M27X1.5	16	10	8.5	23.5	23.5	32
30611-30-12	30612-30-12	M30X1.5	20	12	8.5	25	28	36
30611-36-14	30612-36-14	M36X2	22	14	9	26.5	28.5	41
30611-39-16	30612-39-16	M39X2	25	16	10	30	30	46
30611-45-20	30612-45-20	M45X2	32	20	11	31.5	32	55
30611-52-24	30612-52-24	M52X2	40	24	12	32.5	33	60
30611-64-32	30612-64-32	M64X2	50	32	15	39	39	75

45° METRIC FEMALE 60° CONE



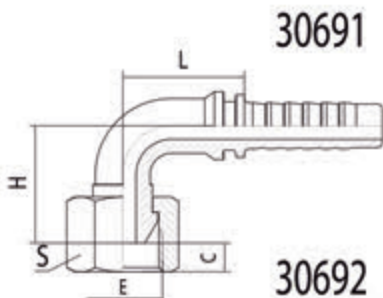
30641



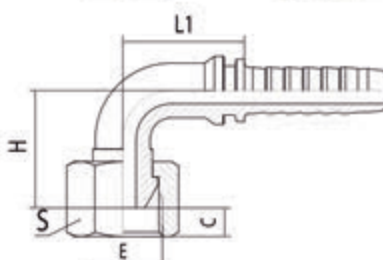
30642

Part No.		Thread E	Hose Bore		Dimensions				
Braided hose	Spiral hose		DN	DASH	C	L	L1	H	S
30641-14-04		M14X1.5	6	04	5.5	42		18.5	17
30641-16-05		M16X1.5	8	05	5.5	44.5		21	19
30641-18-06		M18X1.5	10	06	6.5	46.5		21	22
30641-22-08	30642-22-08	M22X1.5	12	08	7.5	59	59	23	27
30641-27-10	30642-27-10	M27X1.5	16	10	8.5	62	62	24.5	32
30641-30-12	30642-30-12	M30X1.5	20	12	8.5	70	71	27	36
30641-36-14	30642-36-14	M36X2	22	14	9	77.5	79.5	30	41
30641-39-16	30642-39-16	M39X2	25	16	10	81	81	31	46
30641-45-20	30642-45-20	M45X2	32	20	11	95.5	96	35	55
30641-52-24	30642-52-24	M52X2	40	24	12	114	115	41	60
30641-64-32	30642-64-32	M64X2	50	32	15	142.5	142.5	51	75

90° METRIC FEMALE 60° CONE



30691



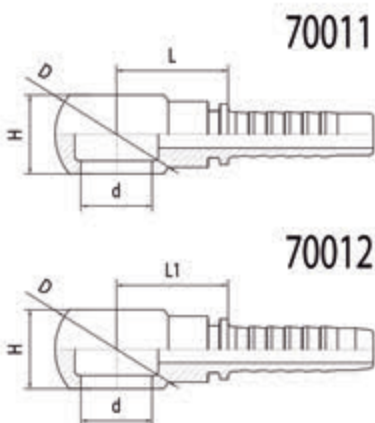
30692

Part No.		Thread E	Hose Bore		Dimensions				
Braided hose	Spiral hose		DN	DASH	C	L	L1	H	S
30691-14-04		M14X1.5	6	04	5.5	29.5		31.5	17
30691-16-05		M16X1.5	8	05	5.5	40		37.5	19
30691-18-06		M18X1.5	10	06	6.5	34		40	22
30691-22-08	30692-22-08	M22X1.5	12	08	7.5	48.5	48.5	41.5	27
30691-27-10	30692-27-10	M27X1.5	16	10	8.5	53.5	53.5	47.5	32
30691-30-12	30692-30-12	M30X1.5	20	12	8.5	60.5	61.5	53	36
30691-36-14	30692-36-14	M36X2	22	14	9	66	68	63	41
30691-39-16	30692-39-16	M39X2	25	16	10	76.5	76.5	71	46
30691-45-20	30692-45-20	M45X2	32	20	11	92.5	93	80	55
30691-52-24	30692-52-24	M52X2	40	24	12	111	111.5	91	60
30691-64-32	30692-64-32	M64X2	50	32	15	134	134	119	75

B. HOSE FITTINGS

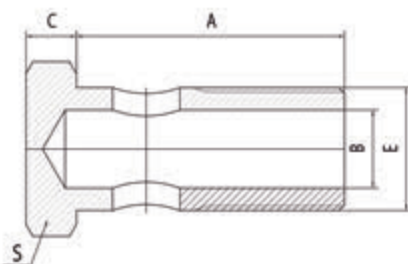


METRIC BANJO



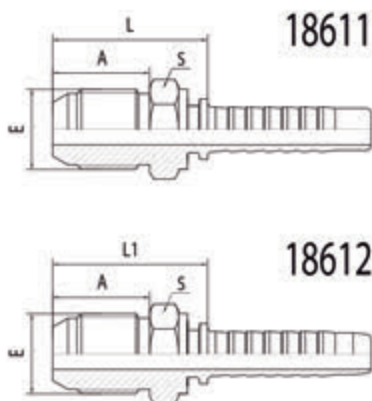
Part No.		Thread E	Hose Bore		Dimensions				
Braided hose	Spiral hose		DN	DASH	d	D	L	L1	H
70011-10-04		M10X1	6	04	10.2	17	20		10
70011-12-04		M12X1.5	6	04	12.2	20	21		12
70011-12-05		M12X1.5	8	05	12.2	20	21		12
70011-12-06		M12X1.5	10	06	12.2	20	21		12
70011-14-04		M14X1.5	6	04	14.2	24	23		14
70011-14-05		M14X1.5	8	05	14.2	24	22.5		14
70011-14-06		M14X1.5	10	06	14.2	24	25		14
70011-16-04		M16X1.5	6	04	16.2	28	25.5		18
70011-16-05		M16X1.5	8	05	16.2	28	25.5		18
70011-16-06		M16X1.5	10	06	16.2	28	25.5		18
70011-18-06		M18X1.5	10	06	18.2	32	27.5		20
70011-18-08	70012-18-08	M18X1.5	12	08	18.2	32	29	29	20
70011-22-08	70012-22-08	M22X1.5	12	08	22.2	38	32	32	25
70011-22-10	70012-22-10	M22X1.5	16	10	22.2	38	31	31	25
70011-26-10	70012-26-10	M26X1.5	16	10	26.2	46	37.5	37.5	30
70011-26-12	70012-26-12	M26X1.5	20	12	26.2	46	37.5	39	30
70011-30-12	70012-30-12	M30X1.5	20	12	30.2	54	45	46.5	36
70011-30-16	70012-30-16	M30X1.5	25	16	30.2	54	43	44	36

700M



METRIC BOLT

Part No.	Thread	Dimensions			
	E	A	B	C	S
700M-10	M10X1	20	5	6	14
700M-12	M12X1.5	24	6	6	17
700M-14	M14X1.5	26	8	7	19
700M-16	M16X1.5	28	9	7.5	22
700M-18	M18X1.5	32	9.5	8	24
700M-22	M22X1.5	39	14	9	27
700M-26	M26X1.5	45	18	10	32
700M-30	M30X2	55	22	11	36

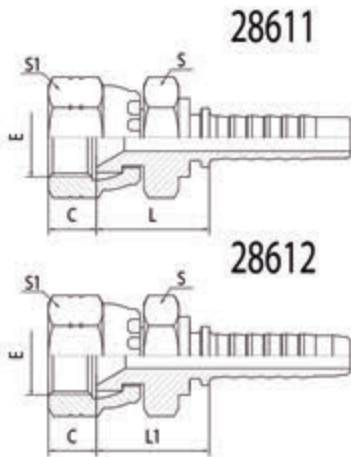


JIS METRIC MALE 60° CONE SEAT

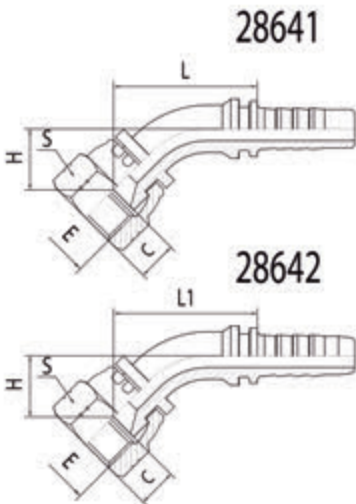
Part No.		Thread E	Hose Bore		Dimensions			
Braided hose	Spiral hose		DN	DASH	A	L	L1	S
18611-14-04		M14X1.5	6	04	17	30.5		17
18611-14-06		M14X1.5	10	06	17	30.5		17
18611-16-04		M16X1.5	6	04	18	31.5		17
18611-16-06		M16X1.5	10	06	18	32.5		19
18611-18-06		M18X1.5	10	06	18	31.5		19
18611-20-08	18612-20-08	M20X1.5	12	08	20	36.5	36.5	22
18611-22-08	18612-22-08	M22X1.5	12	08	20	36.5	36.5	24
18611-24-10	18612-24-10	M24X1.5	16	10	21.5	39.5	39.5	27
18611-30-12	18612-30-12	M30X1.5	20	12	26	44	45.5	32
18611-33-16	18612-33-16	M33X1.5	25	16	30	52	53	36
18611-36-20	18612-36-20	M36X1.5	32	20	33	57.5	58	46
18611-42-24	18612-42-24	M42X1.5	40	24	36	60.5	61	50



JIS METRIC FEMALE 60° CONE SEAT

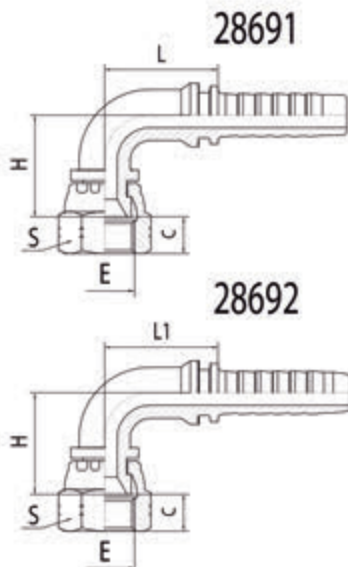


Part No.		Thread E	Hose Bore		Dimensions				
Braided hose	Spiral hose		DN	DASH	C	L	L1	S	S1
28611-12-04		M12X1.5	6	04	9	22.5		17	17
28611-14-04		M14X1.5	6	04	10	23.5		19	19
28611-14-06		M14X1.5	10	06	10	23.5		19	19
28611-16-05		M16X1.5	8	05	9.5	25		19	22
28611-18-06		M18X1.5	10	06	11	26.5		24	24
28611-20-08	28612-20-08	M20X1.5	12	08	11	27.5	27.5	24	27
28611-22-08	28612-22-08	M22X1.5	12	08	14	28.5	28.5	27	27
28611-24-08	28612-24-08	M24X1.5	12	08	13.5	29.5	29.5	27	32
28611-24-10	28612-24-10	M24X1.5	16	10	13.5	29.5	29.5	32	32
28611-27-10	28612-27-10	M27X1.5	16	10	13	29.5	29.5	32	32
28611-30-12	28612-30-12	M30X1.5	20	12	20	33	34.5	36	36
28611-33-12	28612-33-12	M33X1.5	20	12	20.5	34	35.5	36	41
28611-33-16	28612-33-16	M33X1.5	25	16	20.5	38	39	41	41
28611-36-20	28612-36-20	M36X1.5	32	20	18.5	38.5	39	46	46
28611-42-24	28612-42-24	M42X1.5	40	24	18.5	38.5	39	55	55



45° JIS METRIC FEMALE 60° CONE SEAT

Part No.		Thread E	Hose Bore		Dimensions				
Braided hose	Spiral hose		DN	DASH	C	L	L1	H	S
28641-14-04		M14X1.5	6	04	10	38.5		16.5	19
28641-16-05		M16X1.5	8	05	9.5	46		20	22
28641-18-06		M18X1.5	10	06	11	46		20	24
28641-22-08	28642-22-08	M22X1.5	12	08	14	58.5	58.5	24	27
28641-24-10	28642-24-10	M24X1.5	16	10	13.5	63	63	26	32
28641-30-12	28642-30-12	M30X1.5	20	12	20	67.5	71	28	36
28641-33-16	28642-33-16	M33X1.5	25	16	20.5	87	89	33.5	41
28641-36-20	28642-36-20	M36X1.5	32	20	18.5	93.5	94	33	46
28641-42-24	28642-42-24	M42X1.5	40	24	18.5	102.5	103	36	55

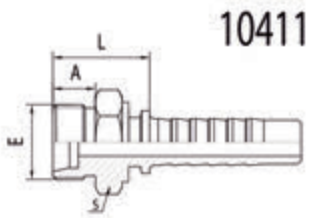


90° JIS METRIC FEMALE 60° CONE SEAT

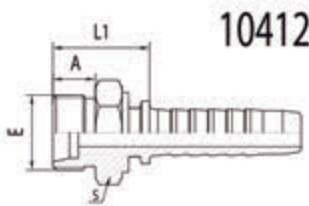
Part No.		Thread E	Hose Bore		Dimensions				
Braided hose	Spiral hose		DN	DASH	C	L	L1	H	S
28691-14-04		M14X1.5	6	04	10	29.5		31.5	19
28691-16-05		M16X1.5	8	05	9.5	33.5		37	22
28691-18-06		M18X1.5	10	06	11	35.5		40.5	24
28691-22-08	28692-22-08	M22X1.5	12	08	14	46	46	43	27
28691-24-10	28692-24-10	M24X1.5	16	10	13.5	50	50	49	32
28691-30-12	28692-30-12	M30X1.5	20	12	20	58	59.5	55.5	36
28691-33-16	28692-33-16	M33X1.5	25	16	20.5	70	70	68.5	41
28691-36-20	28692-36-20	M36X1.5	32	20	18.5	89	89.5	72	46
28691-42-24	28692-42-24	M42X1.5	40	24	18.5	97	97.5	81	55

METRIC MALE 24° CONE SEAT L.T.

Part No.			Hose Bore		Dimensions			
Braided hose	Spiral hose	Thread E	DN	DASH	A	L	L1	S
10411-12-04		M12X1.5	6	04	10	24.5		14
10411-14-04		M14X1.5	6	04	10	24.5		17
10411-14-05		M14X1.5	8	05	10	24.5		17
10411-16-04		M16X1.5	6	04	11	25.5		17
10411-16-05		M16X1.5	8	05	11	25.5		17
10411-16-06		M16X1.5	10	06	11	25.5		17
10411-18-04		M18X1.5	6	04	11.5	27		19
10411-18-05		M18X1.5	8	05	11.5	27		19
10411-18-06		M18X1.5	10	06	11.5	27		19
10411-18-08		M18X1.5	12	08	11.5	28		22
10411-22-06		M22X1.5	10	06	12.5	28.5		24
10411-22-08	10412-22-08	M22X1.5	12	08	12.5	29.5	29.5	24
10411-26-08	10412-26-08	M26X1.5	12	08	12.5	30.5	30.5	27
10411-26-10	10412-26-10	M26X1.5	16	10	12.5	30.5	30.5	27
10411-30-10	10412-30-10	M30X2	16	10	14	32.5	32.5	32
10411-30-12	10412-30-12	M30X2	20	12	14	33	34.5	32
10411-36-12	10412-36-12	M36X2	20	12	15	36	37.5	41
10411-36-16	10412-36-16	M36X2	25	16	15	38	39	41
10411-45-20	10412-45-20	M45X2	32	20	16	39.5	40	46
10411-52-24	10412-52-24	M52X2	40	24	16	40.5	41	55



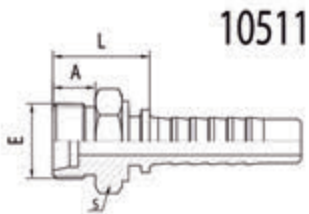
10411



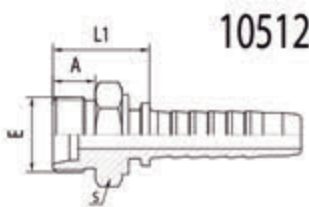
10412

METRIC MALE 24° CONE SEAT H.T.

Part No.			Hose Bore		Dimensions			
Braided hose	Spiral hose	Thread E	DN	DASH	A	L	L1	S
10511-14-04		M14X1.5	6	04	12	26.5		17
10511-16-04		M16X1.5	6	04	12	26.5		17
10511-16-05		M16X1.5	8	05	12	26.5		17
10511-18-05		M18X1.5	8	05	12	27.5		19
10511-18-06		M18X1.5	10	06	12	27.5		19
10511-20-05		M20X1.5	8	05	12	27.5		22
10511-20-06		M20X1.5	10	06	12	27.5		22
10511-22-05		M22X1.5	8	05	14	30		24
10511-22-06		M22X1.5	10	06	14	30		24
10511-22-08	10512-22-08	M22X1.5	12	08	14	31	31	24
10511-24-08	10512-24-08	M24X1.5	12	08	14	32	32	27
10511-30-10	10512-30-10	M30X2	16	10	16	34.5	34.5	32
10511-30-12	10512-30-12	M30X2	20	12	16	35	36.5	32
10511-36-12	10512-36-12	M36X2	20	12	18	39	40.5	41
10511-36-16	10512-36-16	M36X2	25	16	18	39	40	41
10511-42-16	10512-42-16	M42X2	25	16	20	43	44	46
10511-42-20	10512-42-20	M42X2	32	20	20	43.5	44	46
10511-52-20	10512-52-20	M52X2	32	20	22	46.5	47	55
10511-52-24	10512-52-24	M52X2	40	24	22	46.5	47	55



10511



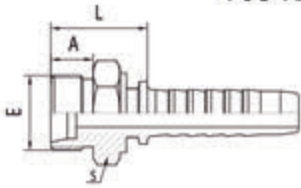
10512



METRIC MALE 24° CONE SEAT H.T. (Thread 1.5mm)

Part No.	Thread E	Hose Bore		Dimensions		
		DN	DASH	A	L	S
10512-30-10SG	M30X1.5	16	10	14	33.5	32
10512-30-12SG	M30X1.5	20	12	14	35.5	32
10512-33-12SG	M33X1.5	20	12	14	35.5	36
10512-36-12SG	M36X1.5	20	12	18	40.5	41
10512-36-16SG	M36X1.5	25	16	14	37	41
10512-42-12SG	M42X1.5	20	12	20	42.5	
10512-42-16SG	M42X1.5	25	16	20	43	46
10512-45-12SG	M45X1.5	20	12	19	41.5	46

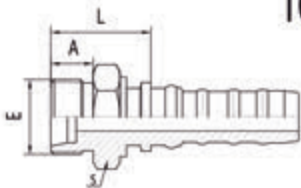
10512-SG



METRIC MALE 24° CONE SEAT H.T.

Part No.	Thread E	Hose Bore		Dimensions		
		DN	DASH	A	L	S
10513-36-12	M36X2	20	12	18	40.5	41
10513-42-16	M42X2	25	16	20	44.3	46
10513-52-20	M52X2	32	20	22	47	55

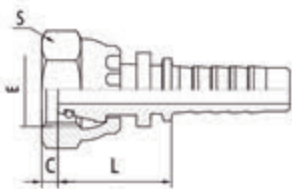
10513



METRIC FEMALE 24° CONE O-RING L.T.

Part No.		Thread E	Hose Bore		Dimensions			
Braided hose	Spiral hose		DN	DASH	C	L	L1	S
20411-12-04		M12X1.5	6	04	2	23.5		17
20411-14-05		M14X1.5	8	05	3.5	25		19
20411-14-06		M14X1.5	10	06	3.5	25.5		19
20411-16-06		M16X1.5	10	06	3.5	27.5		22
20411-18-08	20412-18-08	M18X1.5	12	08	3.5	28.5	28.5	24
20411-22-10	20412-22-10	M22X1.5	16	10	2.5	30.5	30.5	27
20411-26-12	20412-26-12	M26X1.5	20	12	3	33	34.5	32

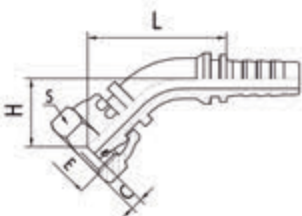
20411 20412



45° METRIC FEMALE 24° CONE O-RING L.T.

Part No.		Thread E	Hose Bore		Dimensions				
Braided hose	Spiral hose		DN	DASH	C	L	L1	H	S
20441-12-04		M12X1.5	6	04	2	48		24.5	17
20441-14-05		M14X1.5	8	05	3.5	56		27.5	19
20441-16-06		M16X1.5	10	06	3.5	55.5		28.5	22
20441-18-08	20442-18-08	M18X1.5	12	08	3.5	64.5	64.5	31	24
20441-22-10	20442-22-10	M22X1.5	16	10	2.5	70.5	70.5	33.5	27
20441-26-12	20442-26-12	M26X1.5	20	12	3	85.5	87	38.5	32

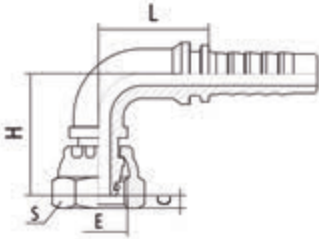
20441 20442



B. HOSE FITTINGS



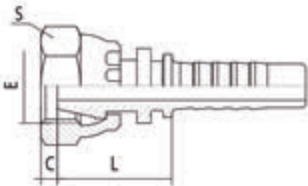
20491
20492



90°METRIC FEMALE 24°CONE O-RING L.T.

Part No.		Thread E	Hose Bore		Dimensions				
Braided hose	Spiral hose		DN	DASH	C	L	L1	H	S
20491-12-04		M12X1.5	6	04	2	31.5		38.5	17
20491-14-05		M14X1.5	8	05	3.5	34.5		49	19
20491-16-06		M16X1.5	10	06	3.5	36		48	22
20491-18-08	20492-18-08	M18X1.5	12	08	3.5	41	41	52	24
20491-22-10	20492-22-10	M22X1.5	16	10	2.5	52.5	52.5	56.5	27
20491-26-12	20492-26-12	M26X1.5	20	12	3	62.5	64	64	32

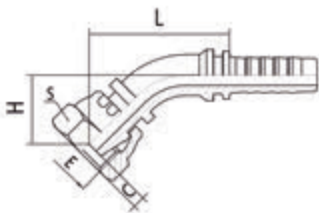
20411C 20412C



METRIC FEMALE 24°CONE L.T.

Part No.		Thread E	Hose Bore		Dimensions				
Braided hose	Spiral hose		DN	DASH	C	L	L1	S	
20411C-12-04		M12X1.5	6	04	2	23.5		17	
20411C-14-05		M14X1.5	8	05	3.5	25		19	
20411C-14-06		M14X1.5	10	06	3.5	25.5		19	
20411C-16-06		M16X1.5	10	06	3.5	27.5		22	
20411C-18-08	20412C-18-08	M18X1.5	12	08	3.5	28.5	28.5	24	
20411C-22-10	20412C-22-10	M22X1.5	16	10	2.5	30.5	30.5	27	
20411C-26-12	20412C-26-12	M26X1.5	20	12	3	33	34.5	32	

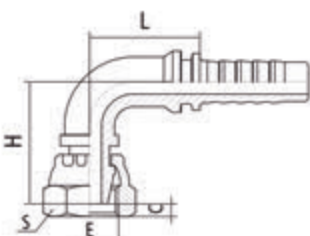
20441C 20442C



45°METRIC FEMALE 24°CONE L.T.

Part No.		Thread E	Hose Bore		Dimensions				
Braided hose	Spiral hose		DN	DASH	C	L	L1	H	S
20441C-12-04		M12X1.5	6	04	2	48		24.5	17
20441C-14-05		M14X1.5	8	05	3.5	56		27.5	19
20441C-16-06		M16X1.5	10	06	3.5	55.5		28.5	22
20441C-18-08	20442C-18-08	M18X1.5	12	08	3.5	64.5	64.5	31	24
20441C-22-10	20442C-22-10	M22X1.5	16	10	2.5	70.5	70.5	33.5	27
20441C-26-12	20442C-26-12	M26X1.5	20	12	3	85.5	87	38.5	32

20491C 20492C

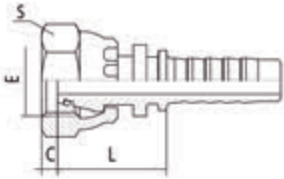


90°METRIC FEMALE 24°CONE L.T.

Part No.		Thread E	Hose Bore		Dimensions				
Braided hose	Spiral hose		DN	DASH	C	L	L1	H	S
20491C-12-04		M12X1.5	6	04	2	31.5		38.5	17
20491C-14-05		M14X1.5	8	05	3.5	34.5		49	19
20491C-16-06		M16X1.5	10	06	3.5	36		48	22
20491C-18-08	20492C-18-08	M18X1.5	12	08	3.5	41	41	52	24
20491C-22-10	20492C-22-10	M22X1.5	16	10	2.5	52.5	52.5	56.5	27
20491C-26-12	20492C-26-12	M26X1.5	20	12	3	62.5	64	64	32



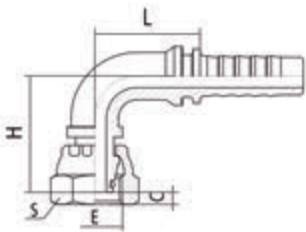
20511 20512



METRIC FEMALE 24° CONE O-RING H.T.

Part No.		Thread E	Hose Bore		Dimensions			
Braided hose	Spiral hose		DN	DASH	C	L	L1	S
20511-14-06		M14X1.5	10	06	3	25.5		19
20511-16-06		M16X1.5	10	06	3.5	26.5		22
20511-20-08	20512-20-08	M20X1.5	12	08	3.5	30.5	30.5	27
20511-24-10	20512-24-10	M24X1.5	16	10	3.5	33.5	33.5	30
20511-42-20	20512-42-20	M42X2	32	20	5.5	43.5	46	50

20591 20592



90° METRIC FEMALE 24° CONE O-RING H.T.

Part No.		Thread E	Hose Bore		Dimensions				
Braided hose	Spiral hose		DN	DASH	C	L	L1	H	S
20591-16-06		M16X1.5	10	06	3.5	38		48.5	22
20591-20-08	20592-20-08	M20X1.5	12	08	3.5	48	48	54	27
20591-24-10	20592-24-10	M24X1.5	16	10	3.5	55	55	67	30
20591-42-20	20592-42-20	M42X2	32	20	5.5	92.5	93	99.5	50

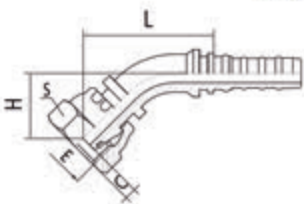
20513



METRIC FEMALE 24° CONE O-RING H.T.

Part No.		Thread E	Hose Bore		Dimensions		
In the lock hose			DN	DASH	C	L	S
20513-36-16		M36X2	25	16	3.5	40.3	41
20513-42-20		M42X2	32	20	5.5	45	50
20513-52-24		M52X2	40	24	7	47.3	60

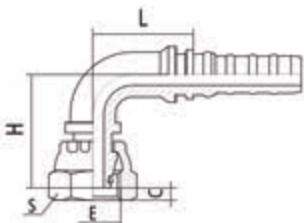
20543



45° METRIC FEMALE 24° CONE O-RING H.T.

Part No.		Thread E	Hose Bore		Dimensions			
In the lock hose			DN	DASH	C	L	H	S
20543-36-16		M36X2	25	16	3.5	98	42	41
20543-42-20		M42X2	32	20	5.5	108	47	50
20543-52-24		M52X2	40	24	7	131	52	60

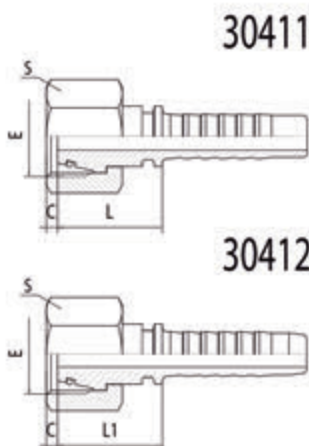
20593



90° METRIC FEMALE 24° CONE O-RING H.T.

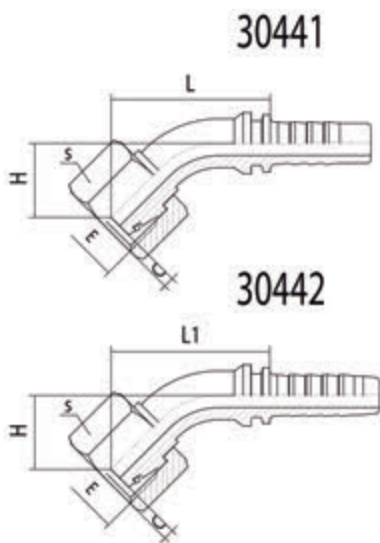
Part No.		Thread E	Hose Bore		Dimensions			
Braided hose			DN	DASH	C	L	H	S
20593-36-16		M36X2	25	16	3.5	79	81.5	41
20593-42-20		M42X2	32	20	5.5	95	97	50
20593-52-24		M52X2	40	24	7	115	110	60

METRIC FEMALE 24° CONE O-RING L.T.



Part No.		Thread E	Hose Bore		Dimensions			
Braided hose	Spiral hose		DN	DASH	C	L	L1	S
30411-14-04		M14X1.5	6	04	2	22.5		17
30411-16-04		M16X1.5	6	04	2	21.5		19
30411-16-05		M16X1.5	8	05	2	23.5		19
30411-18-05		M18X1.5	8	05	2.5	23.5		22
30411-18-06		M18X1.5	10	06	2.5	24.5		22
30411-20-06		M20X1.5	10	06	3	23.5		24
30411-22-06		M22X1.5	10	06	2.5	25.5		27
30411-22-08	30412-22-08	M22X1.5	12	08	2.5	27.5	27.5	27
30411-26-10	30412-26-10	M26X1.5	16	10	3.5	31	31	32
30411-30-10	30412-30-10	M30X2	16	10	3.5	30.5	30.5	36
30411-30-12	30412-30-12	M30X2	20	12	3.5	32.5	33.5	36
30411-36-12	30412-36-12	M36X2	20	12	4	32	33.5	41
30411-36-14	30412-36-14	M36X2	22	14	4	32.5	34.5	41
30411-36-16	30412-36-16	M36X2	25	16	4	35.5	35.5	41
30411-45-20	30412-45-20	M45X2	32	20	3	41.5	41.5	50
30411-52-20	30412-52-20	M52X2	32	20	2	41.5	42	60
30411-52-24	30412-52-24	M52X2	40	24	2	43	43.5	60

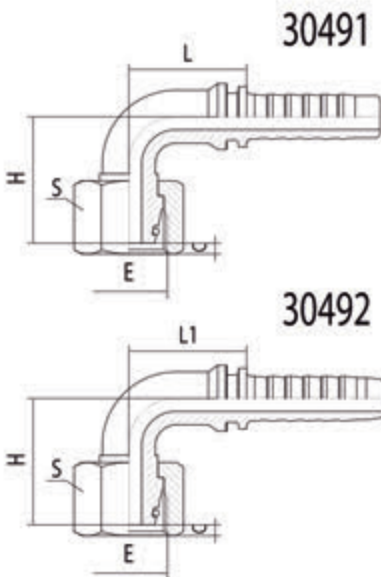
45° METRIC FEMALE 24° CONE O-RING L.T.



Part No.		Thread E	Hose Bore		Dimensions				
Braided hose	Spiral hose		DN	DASH	C	L	L1	H	S
30441-14-04		M14X1.5	6	04	2	40		20	17
30441-16-04		M16X1.5	6	04	2	42.5		21	19
30441-16-05		M16X1.5	8	05	2	47		22.5	19
30441-18-05		M18X1.5	8	05	2.5	45		22.5	22
30441-18-06		M18X1.5	10	06	2.5	46.5		24	22
30441-20-06		M20X1.5	10	06	3	49		24.5	24
30441-22-06		M22X1.5	10	06	2.5	50		25	27
30441-22-08	30442-22-08	M22X1.5	12	08	2.5	56.5	56.5	27	27
30441-26-10	30442-26-10	M26X1.5	16	10	3.5	65	65	29	32
30441-30-10	30442-30-10	M30X2	16	10	3.5	66	66	30	36
30441-30-12	30442-30-12	M30X2	20	12	3.5	74.5	75.5	31	36
30441-36-12	30442-36-12	M36X2	20	12	4	78	75	32.5	41
30441-36-14	30442-36-14	M36X2	22	14	4	85.5	87.5	35	41
30441-36-16	30442-36-16	M36X2	25	16	4	84.5	84.5	35	41
30441-45-20	30442-45-20	M45X2	32	20	3	99	99.5	40	50
30441-52-20	30442-52-20	M52X2	32	20	2	99	99.5	40.5	60
30441-52-24	30442-52-24	M52X2	40	24	2	113	113.5	43.5	60

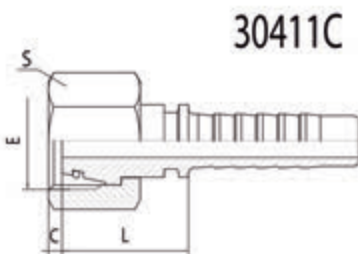


90°METRIC FEMALE 24°CONE O-RING L.T.



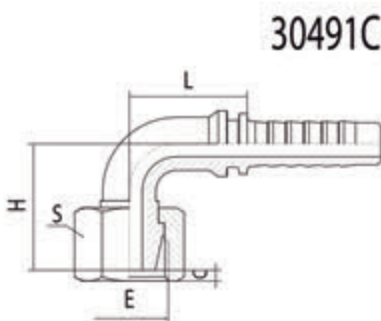
Part No.		Thread E	Hose Bore		Dimensions				
Braided hose	Spiral hose		DN	DASH	C	L	L1	H	S
30491-14-04		M14X1.5	6	04	2	28.5		35.5	17
30491-16-04		M16X1.5	6	04	2	28.5		35.5	19
30491-16-05		M16X1.5	8	05	2	35.5		40	19
30491-18-05		M18X1.5	8	05	2.5	35.5		40	22
30491-18-06		M18X1.5	10	06	2.5	34		42	22
30491-20-06		M20X1.5	10	06	3	34		42	24
30491-22-06		M22X1.5	10	06	2.5	34		45	27
30491-22-08	30492-22-08	M22X1.5	12	08	2.5	48.5	48.5	46.5	27
30491-26-10	30492-26-10	M26X1.5	16	10	3.5	54	54	53	32
30491-30-10	30492-30-10	M30X2	16	10	3.5	54	54	53	36
30491-30-12	30492-30-12	M30X2	20	12	3.5	57	58	57.5	36
30491-36-12	30492-36-12	M36X2	20	12	4	60	61	60.5	41
30491-36-14	30492-36-14	M36X2	22	14	4	67	68	68	41
30491-36-16	30492-36-16	M36X2	25	16	4	71.5	69.5	70	41
30491-45-20	30492-45-20	M45X2	32	20	3	93	93.5	87	50
30491-52-20	30492-52-20	M52X2	32	20	2	92.5	93	88	60
30491-52-24	30492-52-24	M52X2	40	24	2	111	111.5	98	60

METRIC FEMALE 24°CONE L.T.



Part No.		Thread E	Hose Bore		Dimensions				
Braided hose	Spiral hose		DN	DASH	C	L	L1	S	
30411C-14-04		M14X1.5	6	04	2	22.5		17	
30411C-16-04		M16X1.5	6	04	2	21.5		19	
30411C-16-05		M16X1.5	8	05	2	23.5		19	
30411C-18-05		M18X1.5	8	05	2.5	23.5		22	
30411C-18-06		M18X1.5	10	06	2.5	24.5		22	
30411C-20-06		M20X1.5	10	06	3	23.5		24	
30411C-22-06		M22X1.5	10	06	2.5	25.5		27	
30411C-22-08		M22X1.5	12	08	2.5	27.5	27.5	27	

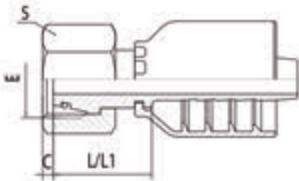
90°METRIC FEMALE 24°CONE L.T.



Part No.		Thread E	Hose Bore		Dimensions				
Braided hose	Spiral hose		DN	DASH	C	L	L1	H	S
30491C-14-04		M14X1.5	6	04	2	28.5		35.5	17
30491C-16-04		M16X1.5	6	04	2	28.5		35.5	19
30491C-16-05		M16X1.5	8	05	2	35.5		40	19
30491C-18-05		M18X1.5	8	05	2.5	35.5		40	22
30491C-18-06		M18X1.5	10	06	2.5	34		42	22
30491C-20-06		M20X1.5	10	06	3	34		42	24
30491C-22-06		M22X1.5	10	06	2.5	34		45	27
30491C-22-08		M22X1.5	12	08	2.5	48.5	48.5	46.5	27

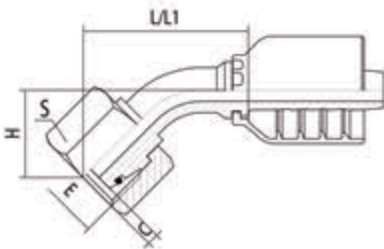
METRIC FEMALE 24° CONE O-RING L.T. ONE PIECE FITTING

30411P-A
30411P-B
30412P-D



Part No.		Thread E	Hose Bore		Dimensions			
Braided hose	Spiral hose		DN	DASH	C	L	L1	S
30411P-14-04B		M14X1.5	6	04	2	19.5		17
30411P-16-04B		M16X1.5	6	04	2	20.5		19
30411P-16-05B		M16X1.5	8	05	2	20.5		19
30411P-18-05B		M18X1.5	8	05	2.5	22.5		22
30411P-18-06B	30412P-18-06D	M18X1.5	10	06	2.5	23	23	22
30411P-22-08B	30412P-22-08D	M22X1.5	12	08	2.5	25.5	25.5	27
30411P-26-10B	30412P-26-10D	M26X1.5	10	10	3.5	28	28	32
30411P-30-12A/B	30412P-30-12D	M30X2	20	12	3.5	31	31.5	36
30411P-36-12A/B	30412P-36-12D	M36X2	20	12	4	32	32.5	41
30411P-36-16A/B	30412P-36-16D	M36X2	25	16	4	33.5	34	41
30411P-45-20A/B	30412P-45-20D	M45X2	32	20	3	39	40.5	50
30411P-52-24A/B	30412P-52-24D	M52X2	40	24	2	42	44.5	60

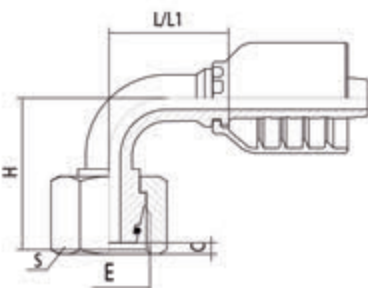
30441P-A
30441P-B
30442P-D



45° METRIC FEMALE 24° CONE O-RING L.T. ONE PIECE FITTING

Part No.		Thread E	Hose Bore		Dimensions				
Braided hose	Spiral hose		DN	DASH	C	L	L1	H	S
30441P-14-04B		M14X1.5	6	04	2	42.5		16	17
30441P-16-05B		M16X1.5	8	05	2	48.5		19	19
30441P-18-06B	30442P-18-06D	M18X1.5	10	06	2.5	47	47	19	22
30441P-22-08B	30442P-22-08D	M22X1.5	12	08	2.5	55	55	24	27
30441P-26-10B	30442P-26-10D	M26X1.5	10	10	3.5	65	65	27	32
30441P-30-12A/B	30442P-30-12D	M30X2	20	12	3.5	70.5	71	27	36
30441P-36-16A/B	30442P-36-16D	M36X2	25	16	4	81	81.5	37	41
30441P-45-20A/B	30442P-45-20D	M45X2	32	20	3	99	100.5	38	50
30441P-52-24A/B	30442P-52-24D	M52X2	40	24	2	110.5	113	46	60

30491P-A
30491P-B
30492P-D



90° METRIC FEMALE 24° CONE O-RING L.T. ONE PIECE FITTING

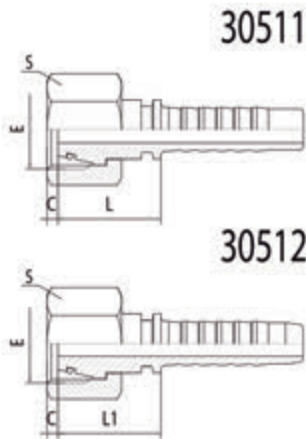
Part No.		Thread E	Hose Bore		Dimensions				
Braided hose	Spiral hose		DN	DASH	C	L	L1	H	S
30491P-14-04B		M14X1.5	6	04	2	25		29	17
30491P-16-05B		M16X1.5	8	05	2	31		30	19
30491P-18-06B	30492P-18-06D	M18X1.5	10	06	2.5	33.5	33.5	36	22
30491P-22-08B	30492P-22-08D	M22X1.5	12	08	2.5	37	37	43	27
30491P-26-10B	30492P-26-10D	M26X1.5	10	10	3.5	45	45	48	32
30491P-30-12A/B	30492P-30-12D	M30X2	20	12	3.5	52	61	55	36
30491P-36-16A/B	30492P-36-16D	M36X2	25	16	4	64	64.5	70	41
30491P-45-20A/B	30492P-45-20D	M45X2	32	20	3	76	77.5	80	50
30491P-52-24A/B	30492P-52-24D	M52X2	40	24	2	110.5	113	100	60

Item number with A refers to be matched with 1SN hose, for example 30411P-36-16A, with B refers to be matched with 2SN hose, for example 30411P-18-06B; with D refers to be matched with 4-layer hose, for example 30512P-36-12D;



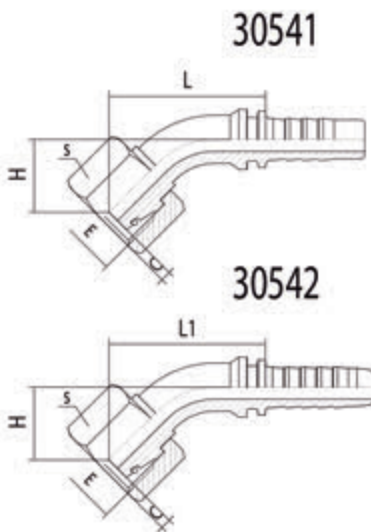
METRIC FEMALE 24° CONE O-RING H.T.

Part No.		Thread E	Hose Bore		Dimensions			
Braided hose	Spiral hose		DN	DASH	C	L	L1	S
30511-14-04		M14X1.5	6	04	2	21.5		17
30511-16-04		M16X1.5	6	04	2	21.5		19
30511-16-05		M16X1.5	8	05	2	22.5		19
30511-18-06		M18X1.5	10	06	2	25		22
30511-20-06		M20X1.5	10	06	3	27.5		24
30511-22-06		M22X1.5	10	06	2.5	26.5		27
30511-22-08	30512-22-08	M22X1.5	12	08	2.5	28.5	28.5	27
30511-24-08	30512-24-08	M24X1.5	12	08	3	27.5	27.5	30
30511-30-10	30512-30-10	M30X2	16	10	3.5	30.5	30.5	36
30511-30-12	30512-30-12	M30X2	20	12	3.5	32.5	33.5	36
30511-36-12	30512-36-12	M36X2	20	12	3	33	34.5	41
30511-36-16	30512-36-16	M36X2	25	16	3	36.5	36.5	41
30511-42-16	30512-42-16	M42X2	25	16	5	39	40	50
30511-52-20	30512-52-20	M52X2	32	20	6.5	41.5	42	60
30511-52-24	30512-52-24	M52X2	40	24	6.5	43	43.5	60



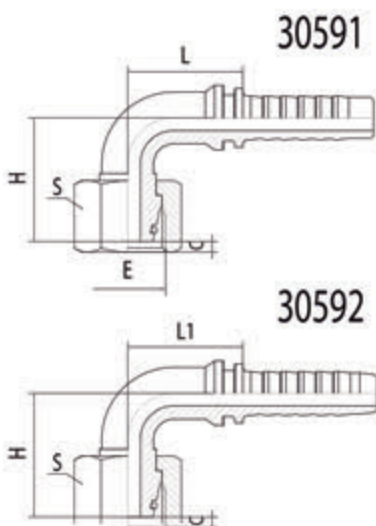
45° METRIC FEMALE 24° CONE O-RING H.T.

Part No.		Thread E	Hose Bore		Dimensions				
Braided hose	Spiral hose		DN	DASH	C	L	L1	H	S
30541-14-04		M14X1.5	6	04	2	40.5		19	17
30541-16-05		M16X1.5	8	05	2	50		23	19
30541-18-06		M18X1.5	10	06	2	46.5		24	22
30541-20-06		M20X1.5	10	06	3	50		25	24
30541-22-08	30542-22-08	M22X1.5	12	08	2.5	58	58	26	27
30541-24-08	30542-24-08	M24X1.5	12	08	3	58	58	26	30
30541-30-12	30542-30-12	M30X2	20	12	3.5	72.5	75.5	31	36
30541-36-16	30542-36-16	M36X2	25	16	3	84	84	36	41
30541-42-16	30542-42-16	M42X2	25	16	5	86.5	86.5	37.5	50
30541-52-20	30542-52-20	M52X2	32	20	6.5	99	99.5	40	60
30541-52-24	30542-52-24	M52X2	40	24	6.5	113	113.5	43.5	60



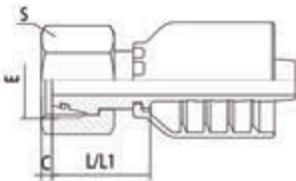
90° METRIC FEMALE 24° CONE O-RING H.T.

Part No.		Thread E	Hose Bore		Dimensions				
Braided hose	Spiral hose		DN	DASH	C	L	L1	H	S
30591-14-04		M14X1.5	6	04	2	28		36	17
30591-16-05		M16X1.5	8	05	2	35.5		40	19
30591-18-06		M18X1.5	10	06	2	34		42	22
30591-20-06		M20X1.5	10	06	3	36		43	24
30591-22-08	30592-22-08	M22X1.5	12	08	2.5	48	48	47	27
30591-24-08	30592-24-08	M24X1.5	12	08	3	47.5	47.5	47.5	30
30591-30-12	30592-30-12	M30X2	20	12	3.5	57	59	57.5	36
30591-36-12	30592-36-12	M36X2	20	12	3	59	60	61.5	41
30591-36-14	30592-36-14	M36X2	22	14	3	67	68	68	41
30591-36-16	30592-36-16	M36X2	25	16	3	69.5	70.5	72	41
30591-42-16	30592-42-16	M42X2	25	16	5	75.5	75.5	74	50
30591-52-20	30592-52-20	M52X2	32	20	6.5	92.5	93	87.5	60
30591-52-24	30592-52-24	M52X2	40	24	6.5	111	111.5	97.5	60



30511P-A
30511P-B
30512P-D

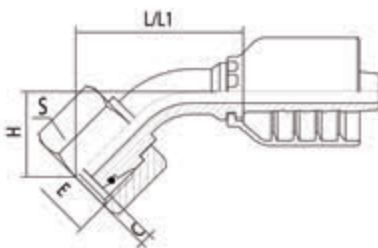
METRIC FEMALE 24° CONE O-RING H.T. ONE PIECE FITTING



Part No.		Hose Bore			Dimensions			
Braided hose	Spiral hose	Thread E	DN	DASH	C	L	L1	S
30511P-14-04B		M14X1.5	6	04	2	19.5		17
30511P-16-04B		M16X1.5	6	04	2	20.5		19
30511P-20-06B	30512P-20-06D	M20X1.5	10	06	3	25	25	24
30511P-24-08B	30512P-24-08D	M24X1.5	12	08	3	26.5	26.5	30
30511P-30-10B	30512P-30-10D	M30X2	16	10	3.5	30	30	36
30511P-30-12A/B	30512P-30-12D	M30X2	20	12	3.5	31	31.5	36
30511P-36-12A/B	30512P-36-12D	M36X2	20	12	3	33	33.5	41
30511P-42-16A/B	30512P-42-16D	M42X2	25	16	5	38.5	39	50
30511P-52-20A/B	30512P-52-20D	M52X2	32	20	6.5	41	42.5	60
30511P-52-24A/B	30512P-52-24D	M52X2	40	24	6.5	42	44.5	60

30541P-A
30541P-B
30542P-D

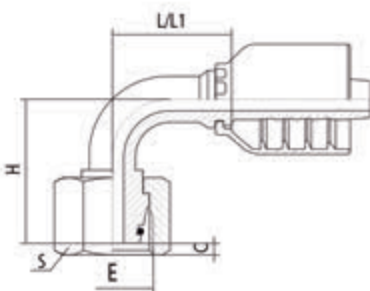
45° METRIC FEMALE 24° CONE O-RING H.T. ONE PIECE FITTING



Part No.		Hose Bore			Dimensions				
Braided hose	Spiral hose	Thread E	DN	DASH	C	L	L1	H	S
30541P-14-04B		M14X1.5	6	04	2	42		17	17
30541P-16-04B		M16X1.5	6	04	2	43		17	19
30541P-20-06B	30542P-20-06D	M20X1.5	10	06	3	46.5		20	24
30541P-24-08B	30542P-24-08D	M24X1.5	12	08	3	57	57	25	30
30541P-30-10B	30542P-30-10D	M30X2	16	10	3.5	65	65	27	36
30541P-30-12A/B	30542P-30-12D	M30X2	20	12	3.5	72.5	73	27	36
30541P-36-12A/B	30542P-36-12D	M36X2	20	12	3	74.5	75	29	41
30541P-42-16A/B	30542P-42-16D	M42X2	25	16	5	81.5	82	36	50
30541P-52-20A/B	30542P-52-20D	M52X2	32	20	6.5	99	100.5	38	60
30541P-52-24A/B	30542P-52-24D	M52X2	40	24	6.5	110.5	113	46	60

30591P-A
30591P-B
30592P-D

90° METRIC FEMALE 24° CONE O-RING H.T. ONE PIECE FITTING



Part No.		Hose Bore			Dimensions				
Braided hose	Spiral hose	Thread E	DN	DASH	C	L	L1	H	S
30591P-14-04B		M14X1.5	6	04	2	28		32	17
30591P-16-04B		M16X1.5	6	04	2	24		30	19
30591P-20-06B	30592P-20-06D	M20X1.5	10	06	3	35	35	37	24
30591P-24-08B	30592P-24-08D	M24X1.5	12	08	3	38	38	45	30
30591P-30-10B	30592P-30-10D	M30X2	16	10	3.5	45	45	50	36
30591P-30-12A/B	30592P-30-12D	M30X2	20	12	3.5	51	51.5	57	36
30591P-36-12A/B	30592P-36-12D	M36X2	20	12	3	59	51.5	59	41
30591P-42-16A/B	30592P-42-16D	M42X2	25	16	5	75	62.5	75	50
30591P-52-20A/B	30592P-52-20D	M52X2	32	20	6.5	79	80.5	80	60
30591P-52-24A/B	30592P-52-24D	M52X2	40	24	6.5	110.5	113	100	60

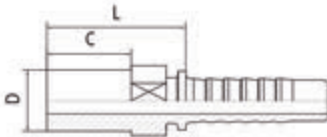
Item number with A refers to be matched with 1SN hose, for example 30411P-36-16A, with B refers to be matched with 2SN hose, for example 30511P-30-12B; with D refers to be matched with 4-layer hose, for example 30512P-36-12D;



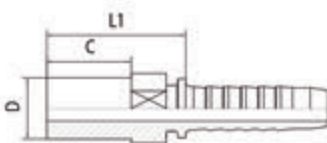
METRIC STANDPIPE STRAIGHT

Part No.		TUBE O.D.	Hose Bore		Dimensions		
Braided hose	Spiral hose		DN	DASH	C	L	L1
51011-06-04		6	6	04	19	30.5	
51011-08-05		8	8	05	19	31.5	
51011-10-06		10	10	06	22	34.5	
51011-12-06		12	10	06	22	34.5	
51011-12-08		12	12	08	22	37.5	
51011-14-08	51012-14-08	14	12	08	29	44.5	44.5
51011-15-08	51012-15-08	15	12	08	25	38.5	38.5
51011-16-08	51012-16-08	16	12	08	30	45.5	45.5
51011-16-10	51012-16-10	16	16	10	30	45.5	45.5
51011-18-10	51012-18-10	18	16	10	24	39.5	39.5
51011-20-12	51012-20-12	20	20	12	36	53	54.5
51011-22-10	51012-22-10	22	16	10	28	43.5	43.5
51011-22-12	51012-22-12	22	20	12	28	44	45.5
51011-25-12	51012-25-12	25	20	12	40	58	59.5
51011-25-16	51012-25-16	25	25	16	40	60	61
51011-28-16	51012-28-16	28	25	16	30	50	51
51011-30-16	51012-30-16	30	25	16	40	60	61
51011-35-20	51012-35-20	35	32	20	33	53.5	54
51011-38-20	51012-38-20	38	32	20	50	70.5	71
51011-42-24	51012-42-24	42	40	24	35	60.5	61

51011



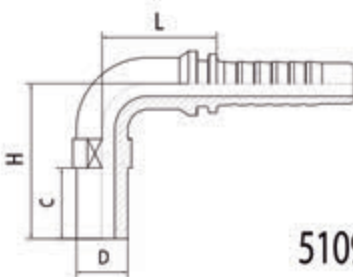
51012



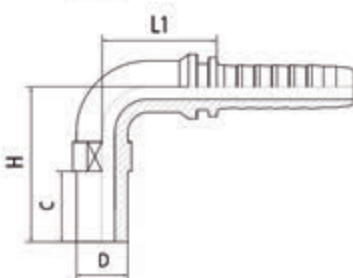
90°METRIC STANDPIPE STRAIGHT

Part No.		TUBE O.D.	Hose Bore		Dimensions			
Braided hose	Spiral hose		DN	DASH	C	L	L1	H
51091-06-04		6	6	04	19	28		46
51091-08-05		8	8	05	19	36		49.5
51091-10-05		10	8	05	22	36		52.5
51091-10-06		10	10	06	22	34		55
51091-12-06		12	10	06	22	34		55
51091-12-08	51092-12-08	12	12	08	22	47	47	59
51091-14-08	51092-14-08	14	12	08	22	47	47	59
51091-15-08	51092-15-08	15	12	08	25	47	47	62
51091-16-08	51092-16-08	16	12	08	25	47	47	62
51091-16-10	51092-16-10	16	16	10	25	52	52	68
51091-18-08	51092-18-08	18	12	08	24	50	50	61
51091-18-10	51092-18-10	18	16	10	24	53	53	68
51091-20-10	51092-20-10	20	16	10	36	50	50	80
51091-22-10	51092-22-10	22	16	10	28	52	52	71
51091-22-12	51092-22-12	22	20	12	28	59	60.5	77.5
51091-25-12	51092-25-12	25	20	12	40	63.5	65	90.5
51091-25-16	51092-25-16	25	25	16	40	70.5	71.5	101
51091-28-16	51092-28-16	28	25	16	30	72.5	73.5	89
51091-30-16	51092-30-16	30	25	16	40	70.5	71.5	101
51091-35-20	51092-35-20	35	32	20	33	92.5	93	107
51091-38-20	51092-38-20	38	32	20	50	92.5	93	124
51091-42-24	51092-42-24	42	40	24	35	110.5	111	121

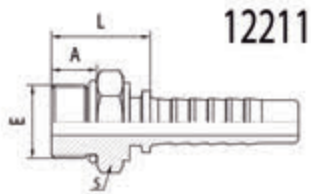
51091



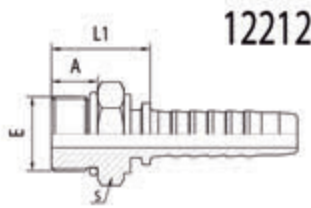
51092



BSP MALE O-RING SEAL



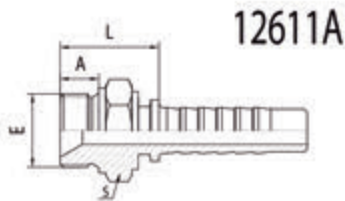
12211



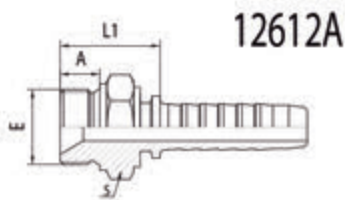
12212

Part No.			Hose Bore		Dimensions			
Braided hose	Spiral hose	Thread E	DN	DASH	A	L	L1	S
12211-02-04	12212-02-04	G1/8"-28	6	04	8.5	24.5		17
12211-04-04	12212-04-04	G1/4"-19	6	04	11.5	25.5		17
12211-06-06	12212-06-06	G3/8"-19	10	06	13.5	27.5		22
12211-08-08	12212-08-08	G1/2"-14	12	08	13	29.5	29.5	27
12211-10-10	12212-10-10	G5/8"-14	16	10	15.5	31.5	31.5	30
12211-12-12	12212-12-12	G3/4"-14	20	12	16	35	36.5	32
12211-16-12	12212-16-12	G1"-11	20	12	19	40	41.5	41
12211-16-16	12212-16-16	G1"-11	25	16	19	42	43	41
12211-20-20	12212-20-20	G1.1/4"-11	32	20	20	44.5	45	46
12211-24-24	12212-24-24	G1.1/2"-11	40	24	23	48	48	50
12211-32-32	12212-32-32	G2"-11	50	32	25.5	54	54	65

BSP MALE 60° CONE SEAT WITH BONDED SEAL FOR SPIRAL HOSE



12611A



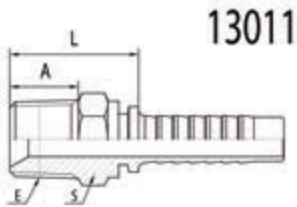
12612A

Part No.			Hose Bore		Dimensions			
Braided hose	Spiral hose	Thread E	DN	DASH	A	L	L1	S
12611A-02-02		G1/8"-28	4	02	10	25.5		14
12611A-02-04		G1/8"-28	6	04	10	25.5		14
12611A-04-04		G1/4"-19	6	04	12	28.5		19
12611A-04-05		G1/4"-19	8	05	12	28.5		19
12211A-04-06		G1/4"-19	10	06	12	28.5		19
12611A-06-04		G3/8"-19	6	04	13.5	30.5		22
12611A-06-05		G3/8"-19	8	05	13.5	30.5		22
12611A-06-06		G3/8"-19	10	06	13.5	30.5		22
12611A-08-06		G1/2"-14	10	06	16	34.5		27
12611A-08-08	12612A-08-08	G1/2"-14	12	08	16	35.5	35.5	27
12611A-08-12	12612A-08-12	G1/2"-14	20	12	16	36	37.5	27
12611A-10-08	12612A-10-08	G5/8"-14	12	08	17.5	37.5	37.5	30
12611A-10-10	12612A-10-10	G5/8"-14	16	10	17.5	37.5	37.5	30
12611A-12-08	12612A-12-08	G3/4"-14	12	08	18.5	39.5	39.5	32
12611A-12-12	12612A-12-12	G3/4"-14	20	12	18.5	40	41.5	32
12611A-16-12	12612A-16-12	G1"-11	20	12	20.5	42	43.5	41
12611A-16-16	12612A-16-16	G1"-11	25	16	20.5	44	45	41
12611A-20-16	12612A-20-16	G1.1/4"-11	25	16	20.5	47	48	50
12611A-20-20	12612A-20-20	G1.1/4"-11	32	20	20.5	47.5	48	50
12611A-24-24	12612A-24-24	G1.1/2"-11	40	24	23	50.5	51	55
12611A-32-32	12612A-32-32	G2"-11	50	32	25.5	59	59	70

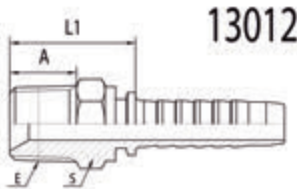


BSPT MALE

Part No.		Thread E	Hose Bore		Dimensions			
Braided hose	Spiral hose		DN	DASH	A	L	L1	S
13011-02-03		ZG1/8"-28	5	03	10	23.5		12
13011-02-04		ZG1/8"-28	6	04	10	23.5		12
13011-04-04		ZG1/4"-19	6	04	14	28.5		17
13011-04-05		ZG1/4"-19	8	05	14	29.5		17
13011-04-06		ZG1/4"-19	10	06	14	29.5		17
13011-06-04		ZG3/8"-19	6	04	14	29.5		19
13011-06-05		ZG3/8"-19	8	05	14	29.5		19
13011-06-06		ZG3/8"-19	10	06	14	29.5		19
13011-08-06		ZG1/2"-14	10	06	19	34.5		22
13011-08-08	13012-08-08	ZG1/2"-14	12	08	19	35.5	35.5	22
13011-08-10	13012-08-10	ZG1/2"-14	16	10	19	35.5	35.5	24
13011-08-12	13012-08-12	ZG1/2"-14	20	12	19	37	38.5	27
13011-12-08	13012-12-08	ZG3/4"-14	12	08	19	37.5	37.5	30
13011-12-10	13012-12-10	ZG3/4"-14	16	10	19	37.5	37.5	30
13011-12-12	13012-12-12	ZG3/4"-14	20	12	19	38	39.5	30
13011-12-16	13012-12-16	ZG3/4"-14	25	16	19	40	42	32
13011-16-12	13012-16-12	ZG1"-11	20	12	24	44	45.5	36
13011-16-16	13012-16-16	ZG1"-11	25	16	24	46	47	36
13011-20-16	13012-20-16	ZG1.1/4"-11	25	16	25	49	50	46
13011-20-20	13012-20-20	ZG1.1/4"-11	32	20	25	49.5	49	46
13011-24-20	13012-24-20	ZG1.1/2"-11	32	20	25	50.5	51	50
13011-24-24	13012-24-24	ZG1.1/2"-11	40	24	25	50.5	51	50
13011-32-32	13012-32-32	ZG2"-11	50	32	28	57	57	65



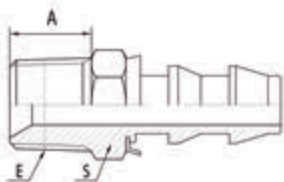
13011



13012

BSPT MALE

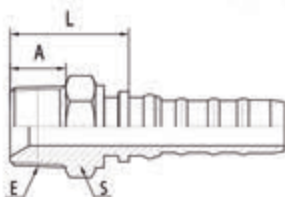
Part No.	Thread E	Hose Bore		Dimensions			
		DN	DASH	A	S		
13011-02-04 PO	ZG1/8"-28	6	04	10	12		
13011-04-04 PO	ZG1/4"-19	6	04	14	17		
13011-04-06 PO	ZG1/4"-19	10	06	14	17		
13011-06-06 PO	ZG3/8"-19	10	06	14	19		
13011-08-08 PO	ZG1/2"-14	12	08	19	22		
13011-12-12 PO	ZG3/4"-14	20	12	19	30		



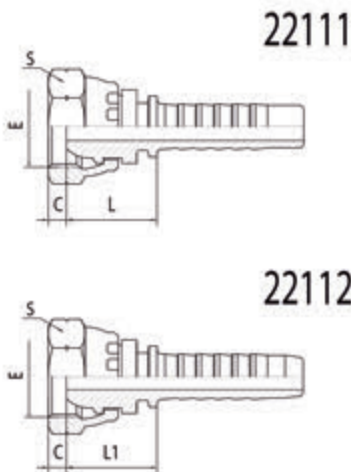
13011-PO

BSPT MALE

Part No.	Thread E	Hose Bore		Dimensions			
		DN	DASH	A	L	S	
In the lock hose							
13013-12-12	ZG3/4"-14	20	12	19	40.5	30	
13013-16-16	ZG1"-11	25	16	24	48.3	36	
13013-20-20	ZG1.1/4"-11	32	20	25	50	46	
13013-24-24	ZG1.1/2"-11	40	24	25	51.3	50	
13013-32-32	ZG2"-11	50	32	28	57.5	65	

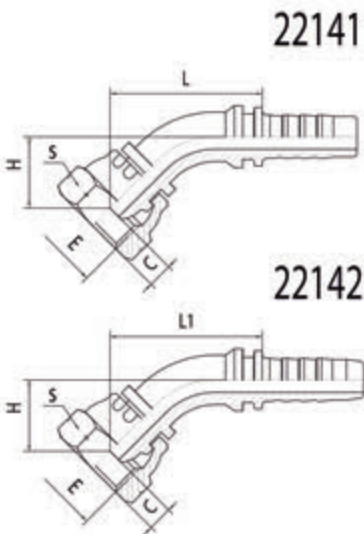


13013



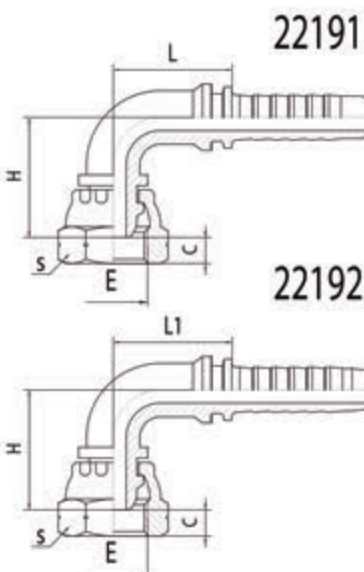
BSP FEMALE MULTISEAL

Part No.		Thread E	Hose Bore		Dimensions			
Braided hose	Spiral hose		DN	DASH	C	L	L1	S
22111-04-04	22112-04-04	G1/4"-19	6	04	4	19.5		19
22111-06-06	22112-06-06	G3/8"-19	10	06	4.5	21.5		22
22111-08-08	22112-08-08	G1/2"-14	12	08	5.5	23.5	23.5	27
22111-10-10	22112-10-10	G5/8"-14	16	10	6	26.5	26.5	30
22111-12-12	22112-12-12	G3/4"-14	20	12	8	27	28.5	32
22111-16-16	22112-16-16	G1"-11	25	16	11.5	28	29	41
22111-20-20	22112-20-20	G1.1/4"-11	32	20	7	36.5	37	50
22111-24-24	22112-24-24	G1.1/2"-11	40	24	7	38.5	39	55
22111-32-32	22112-32-32	G2"-11	50	32	9	45	45	70



45°BSP FEMALE MULTISEAL

Part No.		Thread E	Hose Bore		Dimensions				
Braided hose	Spiral hose		DN	DASH	C	L	L1	H	S
22141-04-04	22142-04-04	G1/4"-19	6	04	4	39.5		19	19
22141-06-06	22142-06-06	G3/8"-19	10	06	4.5	46.5		24	22
22141-08-08	22142-08-08	G1/2"-14	12	08	5.5	57.5	57.5	26.5	27
22141-10-10	22142-10-10	G5/8"-14	16	10	6	64.5	64.5	29.5	30
22141-12-12	22142-12-12	G3/4"-14	20	12	8	72.5	74	31.5	32
22141-16-16	22142-16-16	G1"-11	25	16	11.5	90.5	91.5	33.5	41
22141-20-20	22142-20-20	G1.1/4"-11	32	20	7	100	100.5	41.5	50
22141-24-24	22142-24-24	G1.1/2"-11	40	24	7	121	121.5	46	55
22141-32-32	22142-32-32	G2"-11	50	32	9	150	150	56.5	70

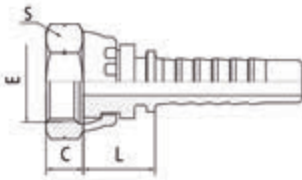


90°BSP FEMALE MULTISEAL

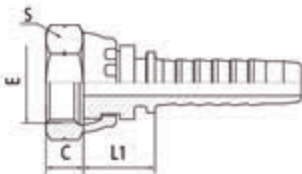
Part No.		Thread E	Hose Bore		Dimensions				
Braided hose	Spiral hose		DN	DASH	C	L	L1	H	S
22191-04-04	22192-04-04	G1/4"-19	6	04	4	28.5		36.5	19
22191-06-06	22192-06-06	G3/8"-19	10	06	4.5	33		42	22
22191-08-08	22192-08-08	G1/2"-14	12	08	5.5	48.5	48.5	46.5	27
22191-10-10	22192-10-10	G5/8"-14	16	10	6	51	51	54	30
22191-12-12	22192-12-12	G3/4"-14	20	12	8	56	57.5	59.5	32
22191-16-16	22192-16-16	G1"-11	25	16	11.5	72	73	68.5	41
22191-20-20	22192-20-20	G1.1/4"-11	32	20	7	92.5	93	89.5	50
22191-24-24	22192-24-24	G1.1/2"-11	40	24	7	110.5	111	101.5	55
22191-32-32	22192-32-32	G2"-11	50	32	9	137.5	137.5	128	70



22211



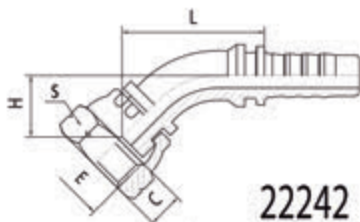
22212



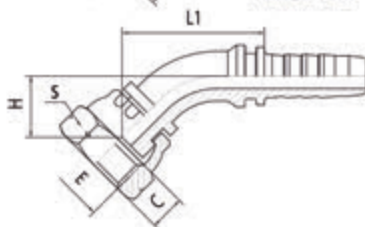
BSP FEMALE FLAT SEAT

Part No.		Thread E	Hose Bore		Dimensions			
Braided hose	Spiral hose		DN	DASH	C	L	L1	S
22211-04-04		G1/4"-19	6	04	8	15.5		19
22211-06-06		G3/8"-19	10	06	8.5	17.5		22
22211-08-08	22212-08-08	G1/2"-14	12	08	10.5	18.5	18.5	27
22211-10-10	22212-10-10	G5/8"-14	16	10	12	20	20	30
22211-12-12	22212-12-12	G3/4"-14	20	12	14	21	22.5	32
22211-16-16	22212-16-16	G1"-11	25	16	14.5	25	26	41
22211-20-20	22212-20-20	G1.1/4"-11	32	20	16	26.5	27	50
22211-24-24	22212-24-24	G1.1/2"-11	40	24	18	27	28	55
22211-32-32	22212-32-32	G2"-11	50	32	24	30	30	70

22241



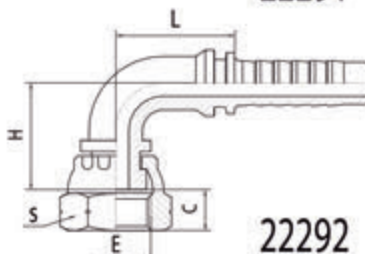
22242



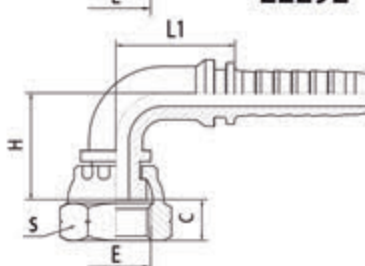
45°BSP FEMALE FLAT SEAT

Part No.		Thread E	Hose Bore		Dimensions				
Braided hose	Spiral hose		DN	DASH	C	L	L1	H	S
22241-04-04		G1/4"-19	6	04	8	40		18	19
22241-06-06		G3/8"-19	10	06	8.5	45		20	22
22241-08-08	22242-08-08	G1/2"-14	12	08	10.5	59	59	23	27
22241-10-10	22242-10-10	G5/8"-14	16	10	12	63.5	63.5	25.5	30
22241-12-12	22242-12-12	G3/4"-14	20	12	14	68	70	27.5	32
22241-16-16	22242-16-16	G1"-11	25	16	14.5	89	90	32	41
22241-20-20	22242-20-20	G1.1/4"-11	32	20	16	97	99	36	50
22241-24-24	22242-24-24	G1.1/2"-11	40	24	18	113.5	114	38	55
22241-32-32	22242-32-32	G2"-11	50	32	24	131.5	131.5	46	70

22291



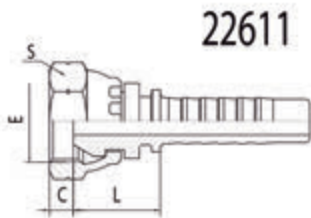
22292



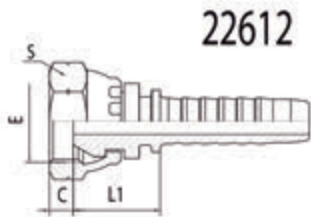
90°BSP FEMALE FLAT SEAT

Part No.		Thread E	Hose Bore		Dimensions				
Braided hose	Spiral hose		DN	DASH	C	L	L1	H	S
22291-04-04		G1/4"-19	6	04	8	29.5		31.5	19
22291-06-06		G3/8"-19	10	06	8.5	34		38	22
22291-08-08	22292-08-08	G1/2"-14	12	08	10.5	48.5	48.5	41.5	27
22291-10-10	22292-10-10	G5/8"-14	16	10	12	51	51	48	30
22291-12-12	22292-12-12	G3/4"-14	20	12	14	60	61.5	53.5	32
22291-16-16	22292-16-16	G1"-11	25	16	14.5	72	73	66.5	41
22291-20-20	22292-20-20	G1.1/4"-11	32	20	16	92.5	93	80.5	50
22291-24-24	22292-24-24	G1.1/2"-11	40	24	18	110.5	111	90.5	55
22291-32-32	22292-32-32	G2"-11	50	32	24	137.5	137.5	113	70

BSP FEMALE 60° CONE

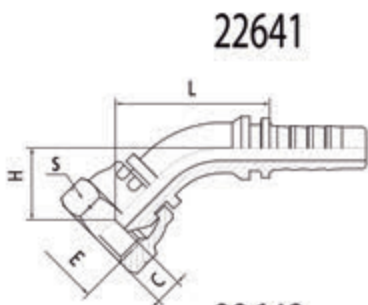


22611

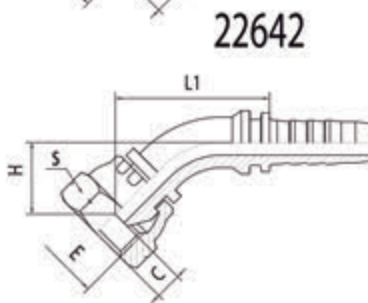


22612

Part No.			Hose Bore		Dimensions			
Braided hose	Spiral hose	Thread E	DN	DASH	C	L	L1	S
22611-02-03		G1/8"-28	5	03	5.5	16.5		14
22611-02-04		G1/8"-28	6	04	5.5	16.5		14
22611-04-04		G1/4"-19	6	04	5.5	18		19
22611-04-06		G1/4"-19	10	06	5.5	18		19
22611-06-04		G3/8"-19	6	04	6.5	19		22
22611-06-05		G3/8"-19	8	05	6.5	19		22
22611-06-06		G3/8"-19	10	06	6.5	19		22
22611-08-06		G1/2"-14	10	06	8	19.5		27
22611-08-08	22612-08-08	G1/2"-14	12	08	8	21	21	27
22611-10-08	22612-10-08	G5/8"-14	12	08	10.5	21	21	30
22611-10-10	22612-10-10	G5/8"-14	16	10	10.5	21	21	30
22611-12-08	22612-12-08	G3/4"-14	12	08	11.5	22.5	22.5	32
22611-12-12	22612-12-12	G3/4"-14	20	12	11.5	23	24.5	32
22611-16-12	22612-16-12	G1"-11	20	12	11.5	26	27.5	41
22611-16-16	22612-16-16	G1"-11	25	16	11.5	28	29	41
22611-20-16	22612-20-16	G1.1/4"-11	25	16	12	30	31	50
22611-20-20	22612-20-20	G1.1/4"-11	32	20	12	31	31.5	50
22611-24-20	22612-24-20	G1.1/2"-11	32	20	13	32.5	33	55
22611-24-24	22612-24-24	G1.1/2"-11	40	24	13	32.5	32	55
22611-32-24	22612-32-24	G2"-11	40	24	16	36.5	37	70
22611-32-32	22612-32-32	G2"-11	50	32	16	38	38	70



22641



22642

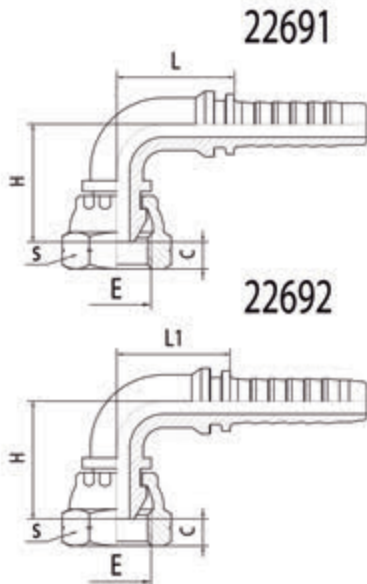
45° BSP FEMALE 60° CONE

Part No.			Hose Bore		Dimensions				
Braided hose	Spiral hose	Thread E	DN	DASH	C	L	L1	H	S
22641-04-04		G1/4"-19	6	04	5.5	40		18	19
22641-06-04		G3/8"-19	6	04	6.5	43		20	22
22641-06-05		G3/8"-19	8	05	6.5	44		22	22
22641-06-06		G3/8"-19	10	06	6.5	45.5		22	22
22641-08-06		G1/2"-14	10	06	8	50.5		22	27
22641-08-08	22642-08-08	G1/2"-14	12	08	8	58.5	58.5	24.5	27
22641-10-08	22642-10-08	G5/8"-14	12	08	10.5	58.5	58.5	24.5	30
22641-10-10	22642-10-10	G5/8"-14	16	10	10.5	66	66	26.5	30
22641-12-08	22642-12-08	G3/4"-14	12	08	11.5	71	71	30	32
22641-12-10	22642-12-10	G5/8"-14	16	10	11.5	66	66	27	32
22641-12-12	22642-12-12	G3/4"-14	20	12	11.5	67.5	71	29	32
22641-16-12	22642-16-12	G1"-11	20	12	11.5	69	72.5	31	41
22641-16-16	22642-16-16	G1"-11	25	16	11.5	87	89	34	41
22641-20-16	22642-20-16	G1.1/4"-11	25	16	12	86	87	35.5	50
22641-20-20	22642-20-20	G1.1/4"-11	32	20	12	101	98.5	38	50
22641-24-24	22642-24-24	G1.1/2"-11	40	24	13	108	108.5	42	55
22641-32-32	22642-32-32	G2"-11	50	32	16	144.5	144.5	54	70



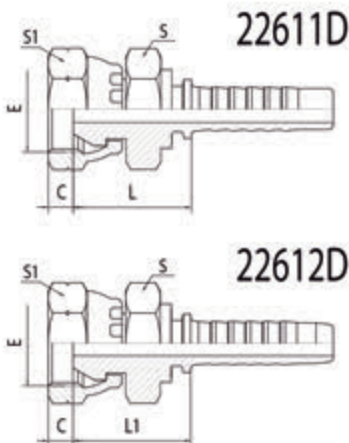
90°BSP FEMALE 60°CONE

Part No.		Thread E	Hose Bore		Dimensions				
Braided hose	Spiral hose		DN	DASH	C	L	L1	H	S
22691-02-03		G1/8"-28	5	03	5.5	25.5		28	14
22691-02-04		G1/8"-28	6	04	5.5	32		32	14
22691-04-04		G1/4"-19	6	04	5.5	31		33	19
22691-04-06		G1/4"-19	10	06	5.5	33		33	19
22691-06-04		G3/8"-19	6	04	6.5	30		34	22
22691-06-05		G3/8"-19	8	05	6.5	32.5		38	22
22691-06-06		G3/8"-19	10	06	6.5	36		40	22
22691-08-06		G1/2"-14	10	06	8	35		43	27
22691-08-08	22692-08-08	G1/2"-14	12	08	8	49	49	44	27
22691-10-08	22692-10-08	G5/8"-14	12	08	10.5	45.5	45.5	44.5	30
22691-10-10	22692-10-10	G5/8"-14	16	10	10.5	52.5	52.5	49.5	30
22691-12-08	22692-12-08	G3/4"-14	12	08	11.5	47.5	47.5	46.5	32
22691-12-10	22692-12-10	G5/8"-14	16	10	11.5	51.5	51.5	51.5	32
22691-12-12	22692-12-12	G3/4"-14	20	12	11.5	57.5	59	56	32
22691-16-12	22692-16-12	G1"-11	20	12	11.5	58.5	60	59	41
22691-16-16	22692-16-16	G1"-11	25	16	11.5	71	72	69.5	41
22691-20-16	22692-20-16	G1.1/4"-11	25	16	12	75.5	76.5	73.5	50
22691-20-20	22692-20-20	G1.1/4"-11	32	20	12	92.5	93	84.5	50
22691-24-24	22692-24-24	G1.1/2"-11	40	24	13	110	111	95.5	55
22691-32-32	22692-32-32	G2"-11	50	32	16	136	136	121	70



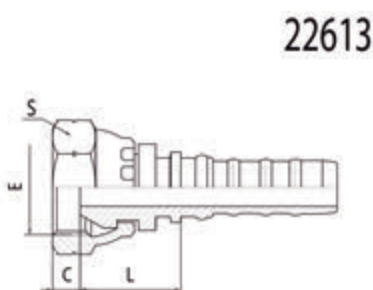
BSP FEMALE 60°CONE DOUBLE HEXAGON

Part No.		Thread E	Hose Bore		Dimensions				
Braided hose	Spiral hose		DN	DASH	C	L	L1	S	S1
22611D-04-04		G1/4"-19	6	04	5.5	24.5		19	19
22611D-06-06		G3/8"-19	10	06	6.5	26.5		22	22
22611D-08-08	22612D-08-08	G1/2"-14	12	08	8	29	29	27	27
22611D-10-10	22612D-10-10	G5/8"-14	16	10	10.5	30.5	30.5	27	30
22611D-12-12	22612D-12-12	G3/4"-14	20	12	11.5	34	35	32	32
22611D-16-16	22612D-16-16	G1"-11	25	16	11.5	38	39	41	41
22611D-20-20	22612D-20-20	G1.1/4"-11	32	20	12	42.5	43	50	50
22611D-24-24	22612D-24-24	G1.1/2"-11	40	24	13	43.5	44	55	55
22611D-32-32	22612D-32-32	G2"-11	50	32	16	52	52	70	70



BSP FEMALE 60°CONE

Part No.	Thread E	Hose Bore		Dimensions		
In the lock hose		DN	DASH	C	L	S
22613-12-12	G3/4"-14	20	12	11.5	25.5	32
22613-16-16	G1"-11	25	16	11.5	29.3	41
22613-20-20	G1.1/4"-11	32	20	12	32	50
22613-24-24	G1.1/2"-11	40	24	13	33.3	55
22613-32-32	G2"-11	50	32	16	39.5	70

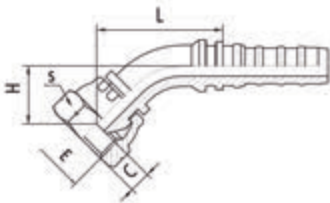


B. HOSE FITTINGS



45°BSP FEMALE 60°CONE

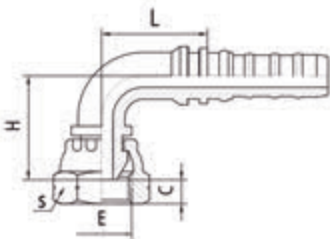
22643



Part No.	Thread E	Hose Bore		Dimensions			
		DN	DASH	C	L	H	S
In the lock hose							
22643-12-12	G3/4"-14	20	12	11.5	72	29	32
22643-16-16	G1"-11	25	16	11.5	88	34	41
22643-20-20	G1.1/4"-11	32	20	12	98.5	38	50
22643-24-24	G1.1/2"-11	40	24	13	109.5	42	55
22643-32-32	G2"-11	50	32	16	146.5	54	70

90°BSP FEMALE 60°CONE

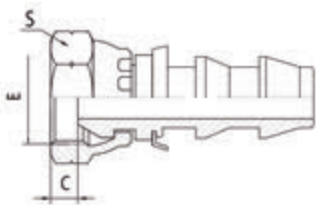
22693



Part No.	Thread E	Hose Bore		Dimensions			
		DN	DASH	C	L	H	S
In the lock hose							
22693-12-12	G3/4"-14	20	12	11.5	59	56	32
22693-16-16	G1"-11	25	16	11.5	79	71.5	41
22693-20-20	G1.1/4"-11	32	20	12	95	84.5	50
22693-24-24	G1.1/2"-11	40	24	13	115	95.5	55
22693-32-32	G2"-11	50	32	16	142	121	70

BSP FEMALE 60°CONE

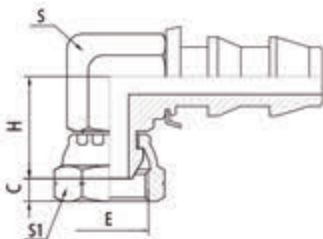
22611-PO



Part No.	Thread E	Hose Bore		Dimensions			
		DN	DASH	C	S		
22611-04-04 PO	G1/4"-19	6	04	5.5	19		
22611-06-06 PO	G3/8"-19	10	06	6.5	22		
22611-08-08 PO	G1/2"-14	12	08	8	27		
22611-12-12 PO	G3/4"-14	20	12	11.5	32		

90°BSP COMPACT FEMALE 60°CONE

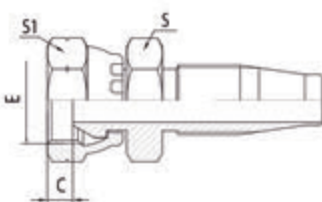
22691K-PO



Part No.	Thread E	Hose Bore		Dimensions			
		DN	DASH	C	H	S	S1
22691K-04-04 PO	G1/4"-19	6	04	5.5	18.5	11	19
22691K-06-06 PO	G3/8"-19	10	06	6.5	24	17	22
22691K-08-08 PO	G1/2"-14	12	08	8	29	22	27
22691K-12-12 PO	G3/4"-14	20	12	11.5	36	27	32

BSP FEMALE 60°CONE

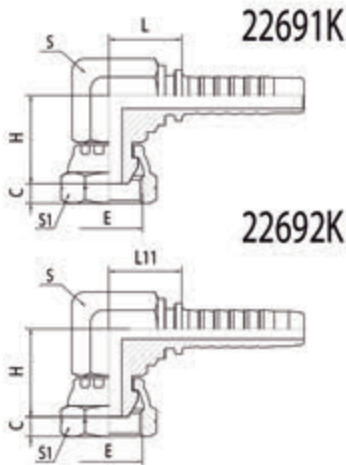
22611D-K



Part No.	Thread E	Hose Bore		Dimensions		
		DASH		C	S	S1
22611D-04-04K	G1/4"-19	04		5.5	14	19
22611D-06-06K	G3/8"-19	06		6.5	17	22
22611D-08-08K	G1/2"-14	08		8	19	27
22611D-10-10K	G5/8"-14	10		10.5	22	30
22611D-12-12K	G3/4"-14	12		11.5	27	32
22611D-16-16K	G1"-11	16		11.5	32	41
22611D-20-20K	G1.1/4"-11	20		12	41	50

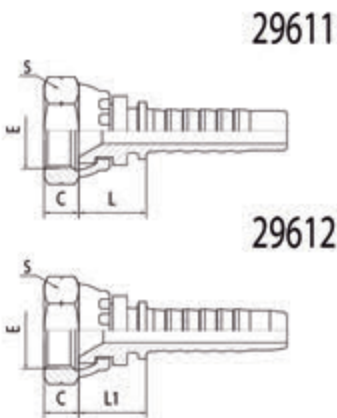


90°BSP FEMALE 60°CONE DOUBLE HEXAGON



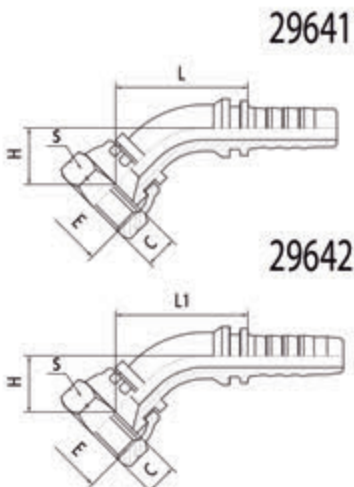
Part No.		Thread E	Hose Bore		Dimensions					
Braided hose	Spiral hose		DN	DASH	C	L	L1	H	S	S1
22691K-04-04		G1/4"-19	6	04	5.5	17.5		18.5	11	19
22691K-06-04		G3/8"-19	6	04	6.5	20		23	17	22
22691K-06-05		G3/8"-19	8	05	6.5	20		23	17	22
22691K-06-06		G3/8"-19	10	06	6.5	19.5		24	17	22
22691K-08-06		G1/2"-14	10	06	8	23		26.5	19	27
22691K-08-08	22692K-08-08	G1/2"-14	12	08	8	24.5	24.5	29	22	27
22691K-10-10	22692K-10-10	G5/8"-14	16	10	10.5	25	25	29	22	30
22691K-12-12	22692K-12-12	G3/4"-14	20	12	11.5	30.5	32	36	27	32
22691K-16-16	22692K-16-16	G1"-11	25	16	11.5	32.5	33.5	38	33	41

JIS GAS FEMALE 60°CONE SEAT



Part No.		Thread E	Hose Bore		Dimensions			
Braided hose	Spiral hose		DN	DASH	C	L	L1	S
29611-02-02		G1/8"-28	4	02	8	14.5		14
29611-02-04		G1/8"-28	6	04	8	14.5		14
29611-04-04		G1/4"-19	6	04	8	15.5		19
29611-04-05		G1/4"-19	8	05	8	15.5		19
29611-04-06		G1/4"-19	10	06	8	15.5		19
29611-06-04		G3/8"-19	6	04	8.5	17		22
29611-06-05		G3/8"-19	8	05	8.5	17		22
29611-06-06		G3/8"-19	10	06	8.5	17		22
29611-08-06		G1/2"-14	10	06	10.5	17.5		27
29611-08-08	29612-08-08	G1/2"-14	12	08	10.5	18.5	18.5	27
29611-10-08	29612-10-08	G5/8"-14	12	08	12	19.5	19.5	30
29611-10-10	29612-10-10	G5/8"-14	16	10	12	19.5	19.5	30
29611-12-08	29612-12-08	G3/4"-14	12	08	14	19.5	19.5	32
29611-12-12	29612-12-12	G3/4"-14	20	12	14	20.5	22.5	32
29611-16-16	29612-16-16	G1"-11	25	16	14.5	25	26	41
29611-20-20	29612-20-20	G1.1/4"-11	32	20	16	26.5	27	50
29611-24-24	29612-24-24	G1.1/2"-11	40	24	18	27.5	28	55
29611-32-32	29612-32-32	G2"-11	50	32	24	30	30	70

45°JIS GAS FEMALE 60°CONE SEAT

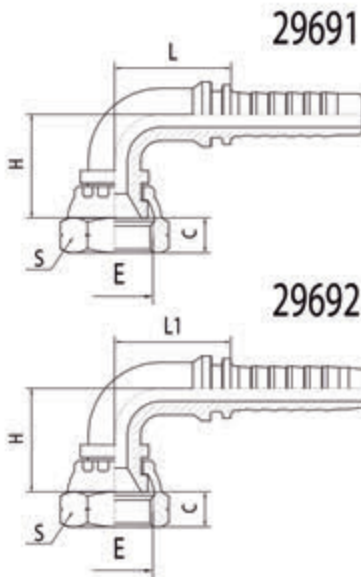


Part No.		Thread E	Hose Bore		Dimensions				
Braided hose	Spiral hose		DN	DASH	C	L	L1	H	S
29641-04-04		G1/4"-19	6	04	8	40		18	19
29641-06-06		G3/8"-19	10	06	8.5	46		20	22
29641-08-08	29642-08-08	G1/2"-14	12	08	10.5	59	59	23	27
29641-10-10	29642-10-10	G5/8"-14	16	10	12	66	66	25.5	30
29641-12-12	29642-12-12	G3/4"-14	20	12	14	68.5	72	27	32
29641-16-16	29642-16-16	G1"-11	25	16	14.5	95.5	89.5	32	41
29641-20-20	29642-20-20	G1.1/4"-11	32	20	16	98	99.5	35.5	50
29641-24-24	29642-24-24	G1.1/2"-11	40	24	18	105	110	38	55
29641-32-32	29642-32-32	G2"-11	50	32	24	137	137	52	70

B. HOSE FITTINGS

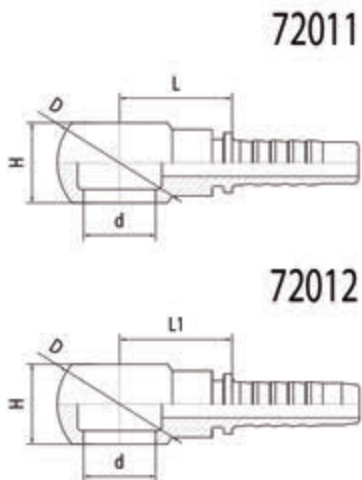


90°JIS GAS FEMALE 60°CONE SEAT



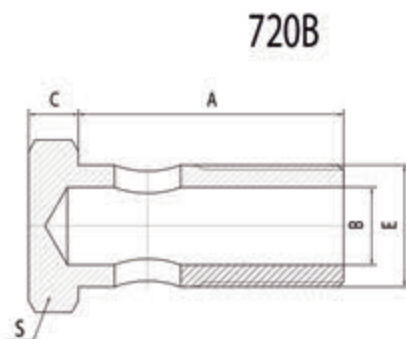
Part No.		Thread E	Hose Bore		Dimensions				
Braided hose	Spiral hose		DN	DASH	C	L	L1	H	S
29691-04-04		G1/4"-19	6	04	8	30.5		30.5	19
29691-06-06		G3/8"-19	10	06	8.5	35		37	22
29691-08-08	29692-08-08	G1/2"-14	12	08	10.5	47.5	47.5	41.5	27
29691-10-10	29692-10-10	G5/8"-14	16	10	12	51	51	48	30
29691-12-12	29692-12-12	G3/4"-14	20	12	14	59	60.5	54.5	32
29691-16-16	29692-16-16	G1"-11	25	16	14.5	72	72	66.5	41
29691-20-20	29692-20-20	G1.1/4"-11	32	20	16	92.5	93	80.5	50
29691-24-24	29692-24-24	G1.1/2"-11	40	24	18	110	111	90.5	55
29691-32-32	29692-32-32	G2"-11	50	32	24		137	113	70

BSP BANJO



Part No.		Thread E	Hose Bore		Dimensions				
Braided hose	Spiral hose		DN	DASH	d	D	L	L1	H
72011-02-04		G1/8"-28	6	04	9.9	22	21		16
72011-04-02		G1/4"-19	4	02	13.3	24	22.5		15
72011-04-03		G1/4"-19	5	03	13.3	24	22.5		15
72011-04-04		G1/4"-19	6	04	13.3	24	22.5		15
72011-04-05		G1/4"-19	8	05	13.3	24	22.5		15
72011-04-06		G1/4"-19	10	06	13.3	24	22.5		15
72011-06-04		G3/8"-19	6	04	16.7	29	25.5		20
72011-06-05		G3/8"-19	8	05	16.7	29	25.5		20
72011-06-06		G3/8"-19	10	06	16.7	29	25.5		20
72011-06-08		G3/8"-19	12	08	16.7	29	26.5	26.5	20
72011-08-04		G1/2"-14	6	04	21	38	30.5		25
72011-08-05		G1/2"-14	8	05	21	38	30.5		25
72011-08-06		G1/2"-14	10	06	21	38	30.5		25
72011-08-08	72012-08-08	G1/2"-14	12	08	21	38	31.5	31.5	25
72011-08-10	72012-08-10	G1/2"-14	16	10	21	38	31	31	25
72011-12-10	72012-12-10	G3/4"-14	16	10	26.5	46	34.5	34.5	31
72011-12-12	72012-12-12	G3/4"-14	20	12	26.5	46	35	36.5	31
72011-16-12	72012-16-12	G1"-11	20	12	33.3	60	51.5	53	42
72011-16-16	72012-16-16	G1"-11	25	16	33.3	60	53.5	54.5	42

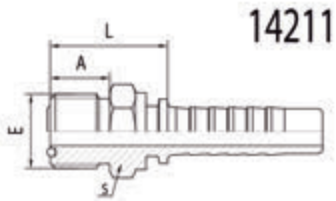
BSP BOLT



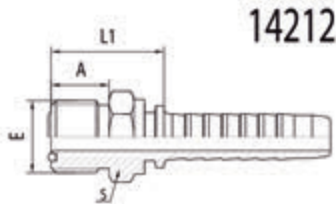
Part No.	Thread	Dimensions			
	E	A	B	C	S
720B-02	G1/8"-28	29.5	4.8	5	14
720B-04	G1/4"-19	28.5	6	6	19
720B-06	G3/8"-19	38.5	9	7	22
720B-08	G1/2"-14	44	13	8.5	27
720B-12	G3/4"-14	56	16	10	32
720B-16	G1"-11	68.5	22	12.5	41



ORFS MALE O-RING SEAL



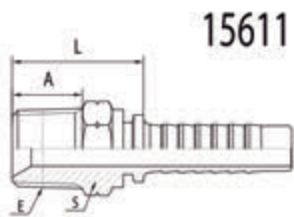
14211



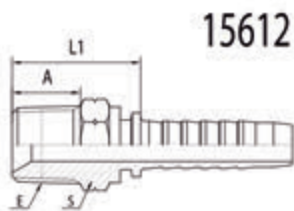
14212

Part No.		Thread E	Hose Bore		Dimensions			
Braided hose	Spiral hose		DN	DASH	A	L	L1	S
14211-04-04		U9/16"-18	6	04	14	27.5		17
14211-06-04		U11/16"-16	6	04	14	26.5		19
14211-06-06		U11/16"-16	10	06	14	26.5		19
14211-08-06		U13/16"-16	10	06	15	30.5		22
14211-08-08	14212-08-08	U13/16"-16	12	08	15	32.5	32.5	22
14211-08-10	14212-08-10	U13/16"-16	16	10	15	32.5	32.5	22
14211-10-08	14212-10-08	U1"-14	12	08	16.5	33.5	33.5	27
14211-10-10	14212-10-10	U1"-14	16	10	16.5	33.5	33.5	27
14211-12-08	14212-12-08	U1.3/16"-12	12	08	17.5	34.5	34.5	32
14211-12-10	14212-12-10	U1.3/16"-12	16	10	17.5	34.5	34.5	32
14211-12-12	14212-12-12	U1.3/16"-12	20	12	17.5	35	36.5	32
14211-16-12	14212-16-12	U1.7/16"-12	20	12	18.5	38	39.5	41
14211-16-16	14212-16-16	U1.7/16"-12	25	16	18.5	40	41	41
14211-20-20	14212-20-20	U1.11/16"-12	32	20	19.5	44.5	45	46
14211-24-24	14212-24-24	U2"-12	40	24	19.5	46.5	47	55

NPT MALE



15611



15612

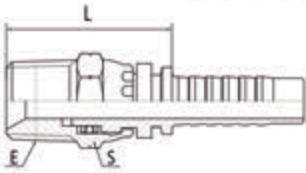
Part No.		Thread E	Hose Bore		Dimensions			
Braided hose	Spiral hose		DN	DASH	A	L	L1	S
15611-02-03		Z1/8"-27	5	03	10	23.5		12
15611-02-04		Z1/8"-27	6	04	10	23.5		12
15611-04-04		Z1/4"-18	6	04	14	28.5		17
15611-04-05		Z1/4"-18	8	05	14	29.5		17
15611-04-06		Z1/4"-18	10	06	14	29.5		17
15611-06-04		Z3/8"-18	6	04	14	29.5		19
15611-06-05		Z3/8"-18	8	05	14	29.5		19
15611-06-06		Z3/8"-18	10	06	14	29.5		19
15611-08-06		Z1/2"-14	10	06	19	34.5		22
15611-08-08	15612-08-08	Z1/2"-14	12	08	19	35.5	35.5	22
15611-08-10	15612-08-10	Z1/2"-14	16	10	19	35.5	35.5	22
15611-08-12	15612-08-12	Z1/2"-14	20	12	19	37	38.5	27
15611-12-08	15612-12-08	Z3/4"-14	12	08	19	37.5	37.5	30
15611-12-10	15612-12-10	Z3/4"-14	16	10	19	37.5	37.5	30
15611-12-12	15612-12-12	Z3/4"-14	20	12	19	38	39.5	30
15611-12-16	15612-12-16	Z3/4"-14	25	16	19	40	42	32
15611-16-12	15612-16-12	Z1"-11.5	20	12	24	44	45.5	36
15611-16-16	15612-16-16	Z1"-11.5	25	16	24	46	47	36
15611-20-16	15612-20-16	Z1.1/4"-11.5	25	16	25	49	50	46
15611-20-20	15612-20-20	Z1.1/4"-11.5	32	20	25	49.5	49	46
15611-24-20	15612-24-20	Z1.1/2"-11.5	32	20	25	50.5	51	50
15611-24-24	15612-24-24	Z1.1/2"-11.5	40	24	25	50.5	51	50
15611-32-32	15612-32-32	Z2"-11.5	50	32	28	57	57	65

B. HOSE FITTINGS



NPT SWIVEL MALE

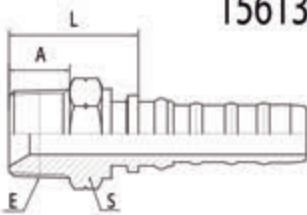
15611SW



Part No.	Thread E	Hose Bore		Dimensions	
		DN	DASH	L	S
15611SW-04-04	Z1/4"-18	6	04	37	17
15611SW-06-06	Z3/8"-18	10	06	37	19
15611SW-08-08	Z1/2"-14	12	08	43.5	22
15611SW-12-12	Z3/4"-14	20	12	49.5	32
15611SW-16-16	Z1"-11.5	25	16	59.5	41

NPT MALE

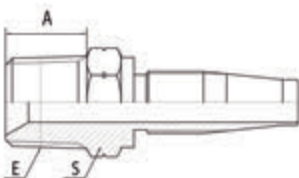
15613



Part No.	Thread E	Hose Bore		Dimensions		
		DN	DASH	A	L	S
15613-12-12	Z3/4"-14	20	12	19	40.5	30
15613-16-16	Z1"-11.5	25	16	24	48.3	36
15613-20-20	Z1.1/4"-11.5	32	20	25	50	46
15613-24-24	Z1.1/2"-11.5	40	24	25	51.3	50
15613-32-32	Z2"-11.5	50	32	28	57.5	65

NPT MALE

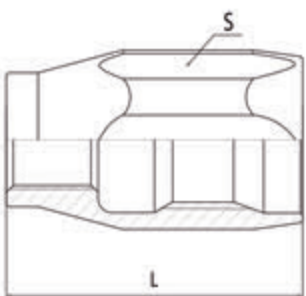
15611-K



Part No.	Thread E	Hose Bore		Dimensions	
		DN	DASH	A	S
15611-02-04K	Z1/8"-27	4	04	10	12
15611-04-04K	Z1/4"-18	6	04	14	17
15611-04-06K	Z1/4"-18	8	06	14	17
15611-06-05K	Z3/8"-18	10	05	14	19
15611-06-06K	Z3/8"-18	12	06	14	19
15611-08-08K	Z1/2"-14	14	08	19	22
15611-12-10K	Z3/4"-14	16	10	19	30
15611-12-12K	Z3/4"-14	18	12	19	30
15611-16-16K	Z1"-11.5	20	16	24	36
15611-20-20K	Z1.1/4"-11.5	24	20	25	46
15611-24-24K	Z1.1/2"-11.5	28	24	25	50
15611-32-32K	Z2"-11.5	32	32	28	65

FERRULE FOR SAE 100 R5 HOSE

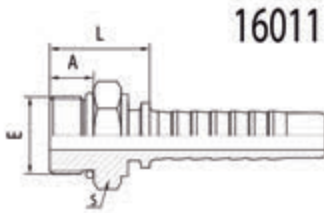
00518



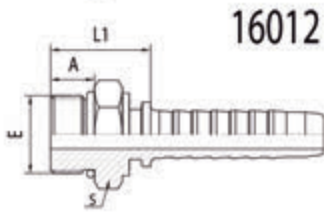
Part No.	Hose Bore		Dimensions	
	DN	DASH	L	S
00518-04	4	04	28	17
00518-05	6	05	30.5	19
00518-06	8	06	33	22
00518-08	10	08	42	24
00518-10	12	10	45.5	30
00518-12	14	12	53.5	32
00518-16	18	16	42	36
00518-20	24	20	44.5	46
00518-24	28	24	47	50
00518-32	32	32	57	65



SAE O-RING MALE



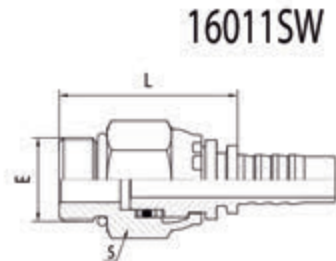
16011



16012

Part No.		Thread E	Hose Bore		Dimensions			
Braided hose	Spiral hose		DN	DASH	A	L	L1	S
16011-04-04		U7/16"-20	6	04	10	23.5		14
16011-05-04		U1/2"-20	6	04	10	24		17
16011-05-05		U1/2"-20	8	05	10	24		17
16011-06-04		U9/16"-18	6	04	12	26		17
16011-06-05		U9/16"-18	8	05	12	26		17
16011-06-06		U9/16"-18	10	06	12	26		17
16011-08-04		U3/4"-16	6	04	12	27.5		22
16011-08-06		U3/4"-16	10	06	12	27.5		22
16011-08-08	16012-08-08	U3/4"-16	12	08	12	28.5	28.5	22
16011-10-08	16012-10-08	U7/8"-14	12	08	13.5	30.5	30.5	27
16011-10-10	16012-10-10	U7/8"-14	16	10	13.5	30.5	30.5	27
16011-12-10	16012-12-10	U1.1/16"-12	16	10	16	34.5	34.5	32
16011-12-12	16012-12-12	U1.1/16"-12	20	12	16	35	36.5	32
16011-16-16	16012-16-16	U1.5/16"-12	25	16	17	39	40	41
16011-20-20	16012-20-20	U1.5/8"-12	32	20	18	42.5	43	50
16011-24-24	16012-24-24	U1.7/8"-12	40	24	18.5	42.5	43	55
16011-32-32	16012-32-32	U2.1/2"-12	50	32	22	51	51	70

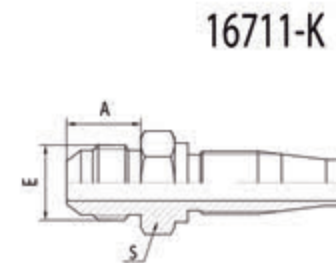
SAE O-RING BOSS SWIVEL MALE



16011SW

Part No.		Thread E	Hose Bore		Dimensions		
Braided hose			DN	DASH	L	S	
16011SW-08-06		U3/4"-16	10	06	38	22	
16011SW-08-08		U3/4"-16	12	08	40.5	22	
16011SW-10-08		U7/8"-14	12	08	42.5	27	
16011SW-10-10		U7/8"-14	16	10	49.5	27	
16011SW-12-12		U1.1/16"-12	20	12	50.5	32	

JIC MALE 74° CONE

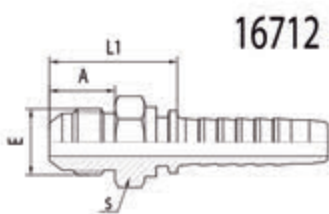
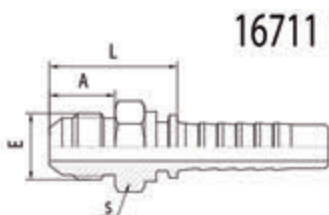


16711-K

Part No.	Thread E	Hose Bore		Dimensions	
		DASH		A	S
16711-04-04K	U7/16"-20	04		14	14
16711-06-05K	U9/16"-18	05		14.1	17
16711-06-06K	U9/16"-18	06		14.1	17
16711-08-06K	U3/4"-16	06		16.7	22
16711-08-08K	U3/4"-16	08		16.7	22
16711-10-10K	U7/8"-14	10		19.3	24
16711-12-12K	U1.1/16"-12	12		21.9	30
16711-16-16K	U1.5/16"-12	16		23.1	36
16711-20-20K	U1.5/8"-12	20		24.3	46
16711-24-24K	U1.7/8"-12	24		27.5	50

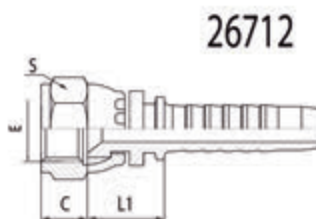
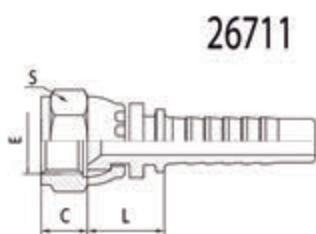
JIC MALE 74° CONE

Part No.		Thread E	Hose Bore		Dimensions			
Braided hose	Spiral hose		DN	DASH	A	L	L1	S
16711-04-04		U7/16"-20	6	04	14	26.5		14
16711-04-05		U7/16"-20	8	05	14	26.5		14
16711-04-06		U7/16"-20	10	06	14	27.5		17
16711-05-04		U1/2"-20	6	04	14	26.5		14
16711-05-05		U1/2"-20	8	05	14	26.5		14
16711-05-06		U1/2"-20	10	06	14	27.5		17
16711-06-04		U9/16"-18	6	04	14.1	27.5		17
16711-06-05		U9/16"-18	8	05	14.1	27.5		17
16711-06-06		U9/16"-18	10	06	14.1	27.5		17
16711-08-06		U3/4"-16	10	06	16.7	32.5		22
16711-08-08	16712-08-08	U3/4"-16	12	08	16.7	33.5	33.5	22
16711-10-08	16712-10-08	U7/8"-14	12	08	19.3	36.5	36.5	24
16711-10-10	16712-10-10	U7/8"-14	16	10	19.3	36.5	36.5	24
16711-12-08	16712-12-08	U1.1/16"-12	12	08	21.9	40.5	40.5	30
16711-12-10	16712-12-10	U1.1/16"-12	16	10	21.9	40.5	40.5	30
16711-12-12	16712-12-12	U1.1/16"-12	20	12	21.9	41	42.5	30
16711-12-16	16712-12-16	U1.1/16"-12	25	16	21.9	44	45	32
16711-14-12	16712-14-12	U1.3/16"-12	20	12	22.6	42	43.5	32
16711-16-12	16712-16-12	U1.5/16"-12	20	12	23.1	43	44.5	36
16711-16-16	16712-16-16	U1.5/16"-12	25	16	23.1	45	46	36
16711-20-16	16712-20-16	U1.5/8"-12	25	16	24.3	48	49	46
16711-20-20	16712-20-20	U1.5/8"-12	32	20	24.3	48.5	49	46
16711-24-20	16712-24-20	U1.7/8"-12	32	20	27.5	51.5	52	50
16711-24-24	16712-24-24	U1.7/8"-12	40	24	27.5	51.5	52	50
16711-32-24	16712-32-24	U2.1/2"-12	40	24	33.9	61.5	62	65
16711-32-32	16712-32-32	U2.1/2"-12	50	32	33.9	63	63	65

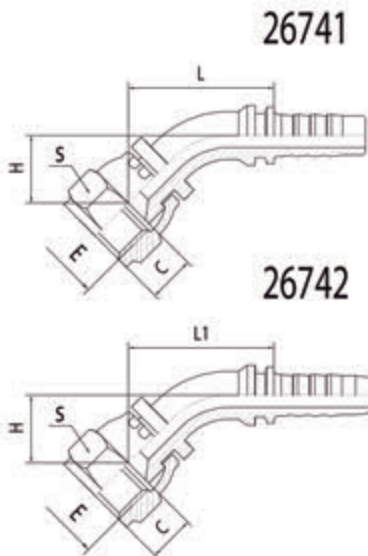


JIC FEMALE 74° CONE SEAT

Part No.		Thread E	Hose Bore		Dimensions			
Braided hose	Spiral hose		DN	DASH	C	L	L1	S
26711-04-03		U7/16"-20	5	03	8.5	15.5		17
26711-04-04		U7/16"-20	6	04	8.5	15.5		17
26711-05-04		U1/2"-20	6	04	9.5	16		19
26711-05-05		U1/2"-20	8	05	9.5	16		19
26711-05-06		U1/2"-20	10	06	9.5	16		19
26711-06-04		U9/16"-18	6	04	10	16.5		19
26711-06-05		U9/16"-18	8	05	10	16.5		19
26711-06-06		U9/16"-18	10	06	10	16.5		19
26711-08-06		U3/4"-16	10	06	11	17		24
26711-08-08	26712-08-08	U3/4"-16	12	08	11	18.5	18.5	24
26711-10-08	26712-10-08	U7/8"-14	12	08	11	18.5	18.5	27
26711-10-10	26712-10-10	U7/8"-14	16	10	12	20.5	20.5	27
26711-12-08	26712-12-08	U1.1/16"-12	12	08	13.5	20.5	20.5	32
26711-12-12	26712-12-12	U1.1/16"-12	20	12	13.5	21	22.5	32
26711-16-12	26712-16-12	U1.5/16"-12	20	12	14.5	23	24.5	41
26711-16-16	26712-16-16	U1.5/16"-12	25	16	14.5	26	27	41
26711-20-16	26712-20-16	U1.5/8"-12	25	16	15.5	27	28	50
26711-20-20	26712-20-20	U1.5/8"-12	32	20	15.5	26.5	28	50
26711-24-20	26712-24-20	U1.7/8"-12	32	20	18.5	27.5	28	55
26711-24-24	26712-24-24	U1.7/8"-12	40	24	18.5	27.5	28	55

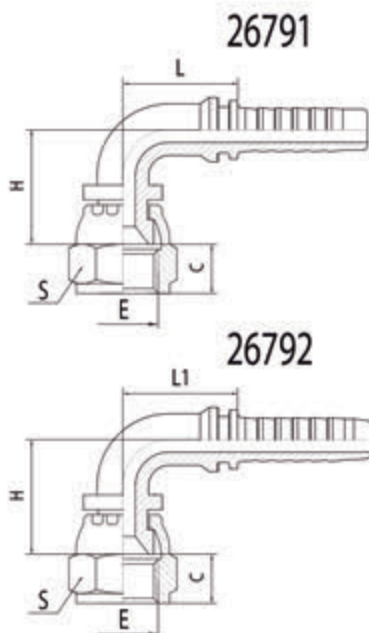


45° JIC FEMALE 74° CONE SEAT



Part No.		Thread E	Hose Bore		Dimensions				
Braided hose	Spiral hose		DN	DASH	C	L	L1	H	S
26741-04-04		U7/16"-20	6	04	8.5	39.5		18	17
26741-05-04		U1/2"-20	6	04	9.5	39.5		18	19
26741-05-05		U1/2"-20	8	05	9.5	45.5		18	19
26741-05-06		U1/2"-20	10	06	9.5	46		18	19
26741-06-04		U9/16"-18	6	04	10	39.5		18	19
26741-06-05		U9/16"-18	8	05	10	45		20	19
26741-06-06		U9/16"-18	10	06	10	45		20	19
26741-08-06		U3/4"-16	10	06	11	46.5		21.5	24
26741-08-08	26742-08-08	U3/4"-16	12	08	11	59	59	23.5	24
26741-10-08	26742-10-08	U7/8"-14	12	08	11	59	59	23.5	27
26741-10-10	26742-10-10	U7/8"-14	16	10	12	66	66	26	27
26741-12-08	26742-12-08	U1.1/16"-12	12	08	13.5	62	62	27.5	32
26741-12-12	26742-12-12	U1.1/16"-12	20	12	13.5	68	71.5	28	32
26741-16-12	26742-16-12	U1.5/16"-12	20	12	14.5	69.5	71	29	41
26741-16-16	26742-16-16	U1.5/16"-12	25	16	14.5	84.5	89.5	32	41
26741-20-16	26742-20-16	U1.5/8"-12	25	16	15.5	86	87	33	50
26741-20-20	26742-20-20	U1.5/8"-12	32	20	15.5	102	99.5	36	50
26741-24-20	26742-24-20	U1.7/8"-12	32	20	18.5	99	99.5	36	55
26741-24-24	26742-24-24	U1.7/8"-12	40	24	18.5	109	110	38.5	55

90° JIC FEMALE 74° CONE SEAT

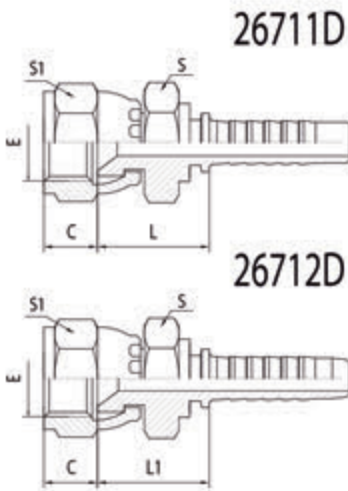


Part No.		Thread E	Hose Bore		Dimensions				
Braided hose	Spiral hose		DN	DASH	C	L	L1	H	S
26791-04-04		U7/16"-20	6	04	8.5	30.5		30.5	17
26791-05-04		U1/2"-20	6	04	9.5	30.5		31	19
26791-05-05		U1/2"-20	8	05	9.5	32		35	19
26791-05-06		U1/2"-20	10	06	9.5	35		35	19
26791-06-04		U9/16"-18	6	04	10	29.5		31.5	19
26791-06-05		U9/16"-18	8	05	10	32		35.5	19
26791-06-06		U9/16"-18	10	06	10	34.5		36.5	19
26791-08-06		U3/4"-16	10	06	11	34		38	24
26791-08-08	26792-08-08	U3/4"-16	12	08	11	48	48	42	24
26791-10-08	26792-10-08	U7/8"-14	12	08	11	48	48	42	27
26791-10-10	26792-10-10	U7/8"-14	16	10	12	50.5	50.5	48.5	27
26791-12-08	26792-12-08	U1.1/16"-12	12	08	13.5	47.5	47.5	44.5	32
26791-12-12	26792-12-12	U1.1/16"-12	20	12	13.5	58.5	60	55	32
26791-16-12	26792-16-12	U1.5/16"-12	20	12	14.5	58.5	60	57	41
26791-16-16	26792-16-16	U1.5/16"-12	25	16	14.5	72	72	66.5	41
26791-20-16	26792-20-16	U1.5/8"-12	25	16	15.5	75.5	76.5	70	50
26791-20-20	26792-20-20	U1.5/8"-12	32	20	15.5	92.5	93	81	50
26791-24-20	26792-24-20	U1.7/8"-12	32	20	18.5	92.5	93	81	55
26791-24-24	26792-24-24	U1.7/8"-12	40	24	18.5	110	111	91	55

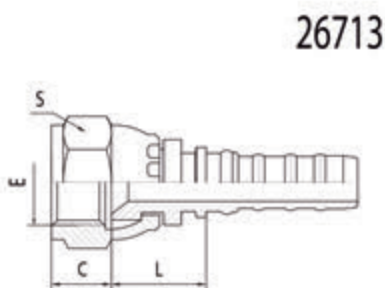
B. HOSE FITTINGS



JIC FEMALE 74° CONE SEAT DOUBLE HEXAGON

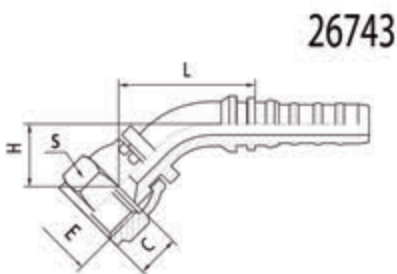


Part No.		Thread E	Hose Bore		Dimensions				
Braided hose	Spiral hose		DN	DASH	C	L	L1	S	S1
26711D-04-04		U7/16"-20	6	04	8.5	22.5		17	17
26711D-05-04		U1/2"-20	6	04	9.5	23.5		19	19
26711D-05-05		U1/2"-20	8	05	9.5	24.5		19	19
26711D-06-04		U9/16"-18	6	04	10	24.5		19	19
26711D-06-05		U9/16"-18	8	05	10	24.5		19	19
26711D-06-06		U9/16"-18	10	06	10	24.5		19	19
26711D-08-06		U3/4"-16	10	06	11	25.5		22	24
26711D-08-08	26712D-08-08	U3/4"-16	12	08	11	27.5	27.5	24	24
26711D-10-10	26712D-10-10	U7/8"-14	16	10	12	28.5	28.5	27	27
26711D-12-12	26712D-12-12	U1.1/16"-12	20	12	13.5	31	32.5	32	32
26711D-16-16	26712D-16-16	U1.5/16"-12	25	16	14.5	35	36	41	41
26711D-20-20	26712D-20-20	U1.5/8"-12	32	20	15.5	38.5	39	50	50
26711D-24-24	26712D-24-24	U1.7/8"-12	40	24	18.5	38.5	39	55	55
26711D-32-32	26712D-32-32	U2.1/2"-12	50	32	24.5	47	47	75	75



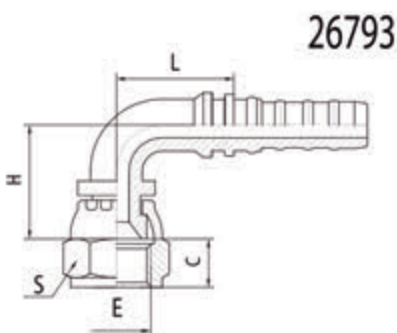
JIC FEMALE 74° CONE SEAT

Part No.	Thread E	Hose Bore		Dimensions		
In the lock hose		DN	DASH	C	L	S
26713-12-12	U1.1/16"-12	20	12	13.5	23.5	32
26713-16-16	U1.5/16"-12	25	16	14.5	26.3	41
26713-20-20	U1.5/8"-12	32	20	15.5	28	50
26713-24-24	U1.7/8"-12	40	24	18.5	28.3	55
26713-32-32	U2.1/2"-12	50	32	24.5	31.5	75



45° JIC FEMALE 74° CONE SEAT

Part No.	Thread E	Hose Bore		Dimensions			
In the lock hose		DN	DASH	C	L	H	S
26743-12-12	U1.1/16"-12	20	12	13.5	72.5	28	32
26743-16-16	U1.5/16"-12	25	16	14.5	89	32	41
26743-20-20	U1.5/8"-12	32	20	15.5	99	36	50
26743-24-24	U1.7/8"-12	40	24	18.5	111	38.5	55
26743-32-32	U2.1/2"-12	50	32	24.5	143.5	54	75

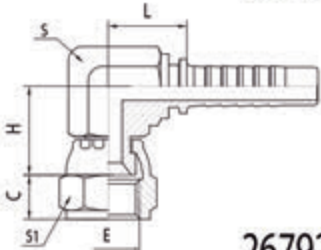


90° JIC FEMALE 74° CONE SEAT

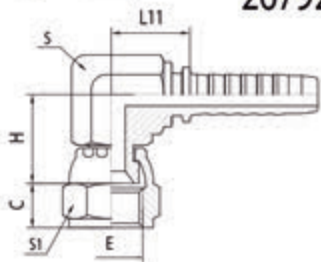
Part No.	Thread E	Hose Bore		Dimensions			
In the lock hose		DN	DASH	C	L	H	S
26793-12-12	U1.1/16"-12	20	12	13.5	61	54	32
26793-16-16	U1.5/16"-12	25	16	14.5	79	68.5	41
26793-20-20	U1.5/8"-12	32	20	15.5	95	81	50
26793-24-24	U1.7/8"-12	40	24	18.5	115	91	55
26793-32-32	U2.1/2"-12	50	32	24.5	137	117.5	75



26791K



26792K

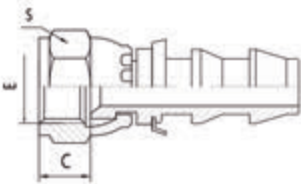


90°JIC FEMALE 74° CONE SEAT DOUBLE HEXAGON

Part No.		Thread E	Hose Bore		Dimensions					
Braided hose	Spiral hose		DN	DASH	C	L	L1	H	S	S1
26791K-04-04		U7/16"-20	6	04	8.5	17.5		18	11	17
26791K-06-04		U9/16"-18	6	04	10	19		21	14	19
26791K-06-06		U9/16"-18	10	06	10	20		21	17	19
26791K-08-06		U3/4"-16	10	06	11	23		25	19	24
26791K-08-08	26792K-08-08	U3/4"-16	12	08	11	23.5	23.5	25	22	24
26791K-10-08	26792K-10-08	U7/8"-14	12	08	12	23.5	23.5	27.5	22	27
22691K-10-10	22692K-10-10	U7/8"-14	16	10	12	26.5	26.5	27.5	22	27
26791K-12-12	26792K-12-12	U1.1/16"-12	20	12	13.5	27.5	29	30	27	32
26791K-16-16	26792K-16-16	U1.5/16"-12	25	16	14.5	37	38	37	33	41

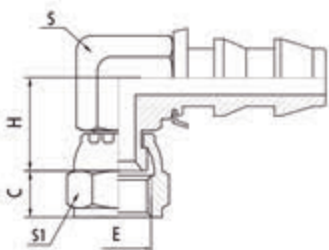
JIC FEMALE 74° CONE SEAT

26711-PO



Part No.		Thread E	Hose Bore		Dimensions		
			DN	DASH	C	S	
26711-04-04	PO	U7/16"-20	6	04	8.5	17	
26711-05-04	PO	U1/2"-20	6	04	9.5	19	
26711-06-06	PO	U9/16"-18	10	06	10	19	
26711-08-06	PO	U3/4"-16	10	06	11	24	
26711-08-08	PO	U3/4"-16	12	08	11	24	
26711-10-08	PO	U7/8"-14	12	08	12	27	
26711-10-10	PO	U7/8"-14	16	10	12	27	
26711-12-12	PO	U1.1/16"-12	20	12	13.5	32	
26711-16-16	PO	U1.5/16"-12	25	16	14.5	41	

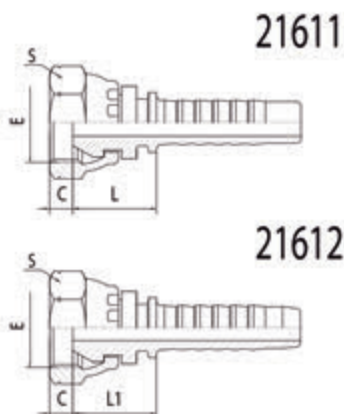
26791K-PO



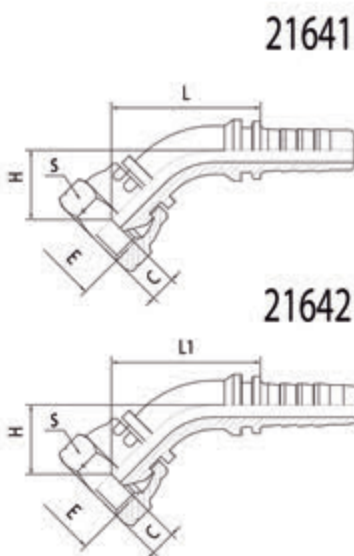
JIC COMPACT FEMALE 74° CONE SEAT

Part No.		Thread E	Hose Bore		Dimensions			
			DN	DASH	C	H	S	S1
26791K-04-04	PO	U7/16"-20	6	04	8.5	18	11	17
26791K-06-04	PO	U9/16"-18	6	04	10	20.5	14	19
26791K-06-06	PO	U9/16"-18	10	06	10	21	17	19
26791K-08-06	PO	U3/4"-16	10	06	11	22.5	17	24
26791K-08-08	PO	U3/4"-16	12	08	11	22.5	19	24
26791K-10-10	PO	U7/8"-14	16	10	12	27.5	22	27
26791K-12-12	PO	U1.1/16"-12	20	12	13.5	30	27	32

NPSM FEMALE 60° CONE

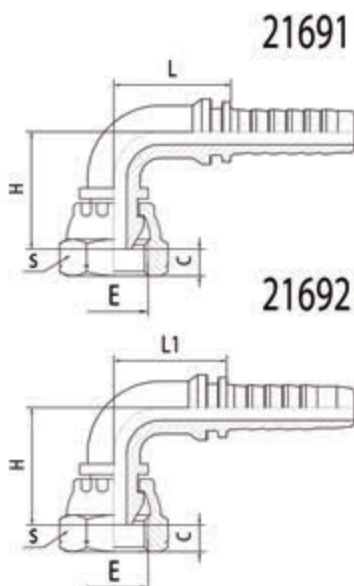


Part No.		Thread E	Hose Bore		Dimensions			
Braided hose	Spiral hose		DN	DASH	C	L	L1	S
21611-02-02		NPSM1/8"-27	4	02	5.5	16.5		14
21611-04-04		NPSM1/4"-18	6	04	5.5	18		19
21611-06-06		NPSM3/8"-18	10	06	8	19		22
21611-08-08	21612-08-08	NPSM1/2"-14	12	08	9.5	21	21	27
21611-12-12	21612-12-12	NPSM3/4"-14	20	12	11.5	23	24.5	32
21611-16-16	21612-16-16	NPSM1"-11.5	25	16	11.5	28	29	41
21611-20-20	21612-20-20	NPSM1.1/4"-11.5	32	20	12	31	31.5	50
21611-24-24	21612-24-24	NPSM1.1/2"-11.5	40	24	12.5	32.5	32	55
21611-32-32	21612-32-32	NPSM2"-11.5	50	32	13	38	38	70



45° NPSM FEMALE 60° CONE

Part No.		Thread E	Hose Bore		Dimensions				
Braided hose	Spiral hose		DN	DASH	C	L	L1	H	S
21641-04-04		NPSM1/4"-18	6	04	5.5	40		18	19
21641-06-06		NPSM3/8"-18	10	06	8	45.5		22	22
21641-08-08	21642-08-08	NPSM1/2"-14	12	08	9.5	58.5	58.5	24.5	27
21641-12-12	21642-12-12	NPSM3/4"-14	20	12	11.5	67.5	71	29	32
21641-16-16	21642-16-16	NPSM1"-11.5	25	16	11.5	87	89	34	41
21641-20-20	21642-20-20	NPSM1.1/4"-11.5	32	20	12	101	98.5	38	50
21641-24-24	21642-24-24	NPSM1.1/2"-11.5	40	24	12.5	108	108.5	42	55
21641-32-32	21642-32-32	NPSM2"-11.5	50	32	13	144.5	144.5	54	70



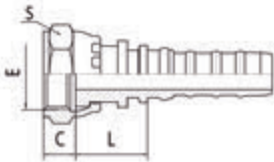
90° NPSM FEMALE 60° CONE

Part No.		Thread E	Hose Bore		Dimensions				
Braided hose	Spiral hose		DN	DASH	C	L	L1	H	S
21691-04-04		NPSM1/4"-18	6	04	5.5	31		33	19
21691-06-06		NPSM3/8"-18	10	06	8	36		40	22
21691-08-08	21692-08-08	NPSM1/2"-14	12	08	9.5	49	49	44	27
21691-12-12	21692-12-12	NPSM3/4"-14	20	12	11.5	57.5	59	56	32
21691-16-16	21692-16-16	NPSM1"-11.5	25	16	11.5	71	72	69.5	41
21691-20-20	21692-20-20	NPSM1.1/4"-11.5	32	20	12	92.5	93	84.5	50
21691-24-24	21692-24-24	NPSM1.1/2"-11.5	40	24	12.5	110	111	95.5	55
21691-32-32	21692-32-32	NPSM2"-11.5	50	32	13	136	136	121	70



ORFS FEMALE FLAT SEAT

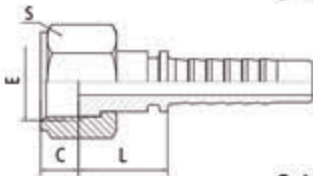
24213



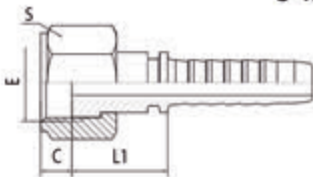
Part No.	Thread E	Hose Bore		Dimensions		
		DN	DASH	C	L	S
In the lock hose						
24213-12-12	U1.3/16"-12	20	12	13.5	38.5	36
24213-16-16	U1.7/16"-12	25	16	14.5	40.3	41
24213-20-20	U1.11/16"-12	32	20	15.5	42	50
24213-24-24	U2"-12	40	24	19.5	46.3	60

ORFS FEMALE FLAT SEAT

34211



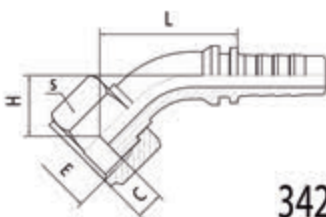
34212



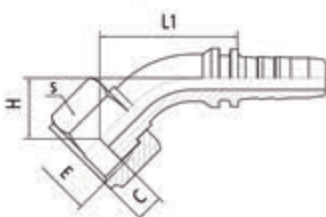
Part No.		Thread E	Hose Bore		Dimensions			
Braided hose	Spiral hose		DN	DASH	C	L	L1	S
34211-04-04		U9/16"-18	6	04	8	22.5		19
34211-06-04		U11/16"-16	6	04	8.5	23.5		22
34211-06-05		U11/16"-16	8	05	8.5	23.5		22
34211-06-06		U11/16"-16	10	06	8.5	24.5		22
34211-08-06		U13/16"-16	10	06	11	24.5		27
34211-08-08	34212-08-08	U13/16"-16	12	08	11	26.5	26.5	27
34211-10-08	34212-10-08	U1"-14	12	08	13.5	28.5	28.5	30
34211-12-08	34212-12-08	U1.3/16"-12	12	08	13	21.5	21.5	36
34211-10-10	34212-10-10	U1"-14	16	10	13.5	28.5	28.5	30
34211-12-10	34212-12-10	U1.3/16"-12	16	10	13	21.5	21.5	36
34211-12-12	34212-12-12	U1.3/16"-12	20	12	13	33	34	36
34211-16-12	34212-16-12	U1.7/16"-12	20	12	15	33	34.5	41
34211-16-16	34212-16-16	U1.7/16"-12	25	16	15	35	35	41
34211-20-16	34212-20-16	U1.11/16"-12	25	16	15.5	36	37	50
34211-20-20	34212-20-20	U1.11/16"-12	32	20	15.5	37.5	38	50
34211-24-20	34212-24-20	U2"-12	40	24	19	37.5	38	60
34211-24-24	34212-24-24	U2"-12	40	24	19	39.5	39	60

45°ORFS FEMALE FLAT SEAT

34241

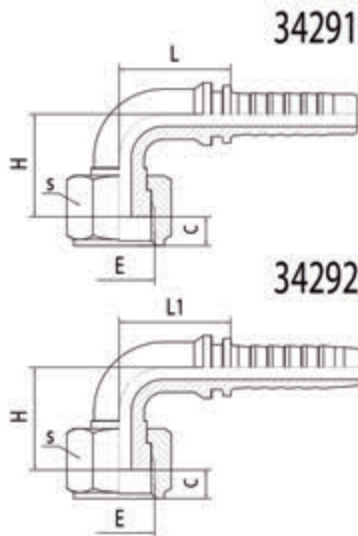


34242



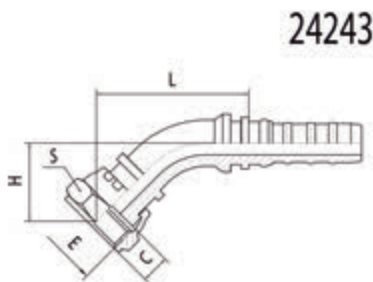
Part No.		Thread E	Hose Bore		Dimensions				
Braided hose	Spiral hose		DN	DASH	C	L	L1	H	S
34241-04-04		U9/16"-18	6	04	8	40		17	19
34241-06-04		U11/16"-16	6	04	8.5	40		17	22
34241-06-06		U11/16"-16	10	06	8.5	45		20	22
34241-08-06		U13/16"-16	10	06	11	46		20	27
34241-08-08	34242-08-08	U13/16"-16	12	08	11	57	57	21	27
34241-10-08	34242-10-08	U1"-14	12	08	13.5	60	60	21	30
34241-12-08	34242-12-08	U1.3/16"-12	12	08	13	59.5	59.5	22.5	36
34241-10-10	34242-10-10	U1"-14	16	10	13.5	58.5	58.5	23	30
34241-12-10	34242-12-10	U1.3/16"-12	16	10	13	62	62	24	36
34241-12-12	34242-12-12	U1.3/16"-12	20	12	13	68	70	25.5	36
34241-16-12	34242-16-12	U1.7/16"-12	20	12	15	67.5	69	26	41
34241-16-16	34242-16-16	U1.7/16"-12	25	16	15	79	79	29	41
34241-20-16	34242-20-16	U1.11/16"-12	25	16	15.5	79	79	29	50
34241-20-20	34242-20-20	U1.11/16"-12	32	20	15.5	92.5	93	32.5	50
34241-24-24	34242-24-24	U2"-12	40	24	19	115	115.5	37.5	60

90°ORFS FEMALE FLAT SEAT



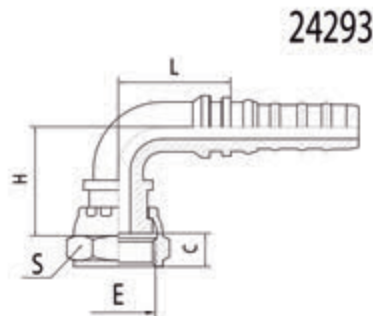
Part No.		Thread E	Hose Bore		Dimensions				
Braided hose	Spiral hose		DN	DASH	C	L	L1	H	S
34291-04-04		U9/16"-18	6	04	8	35		29	19
34291-06-04		U11/16"-16	6	04	8.5	33		31	22
34291-06-06		U11/16"-16	10	06	8.5	33		39	22
34291-08-06		U13/16"-16	10	06	11	33		39	27
34291-08-08	34292-08-08	U13/16"-16	12	08	11	51	51	39	27
34291-10-08	34292-10-08	U1"-14	12	08	13.5	51	51	39	30
34291-12-08	34292-12-08	U1.3/16"-12	12	08	13	51	51	41	36
34291-10-10	34292-10-10	U1"-14	16	10	13.5	52	52	41	30
34291-12-10	34292-12-10	U1.3/16"-12	16	10	13	53	53	46	36
34291-12-12	34292-12-12	U1.3/16"-12	20	12	13	58	58	50.5	36
34291-16-16	34292-16-16	U1.7/16"-12	25	16	15	74.5	70.5	64	41
34291-20-16	34292-20-16	U1.11/16"-12	25	16	15.5	76	76.5	64	50
34291-20-20	34292-20-20	U1.11/16"-12	32	20	15.5	93	93.5	76	50
34291-24-24	34292-24-24	U2"-12	40	24	19	111	111.5	86	60

45°ORFS FEMALE FLAT SEAT



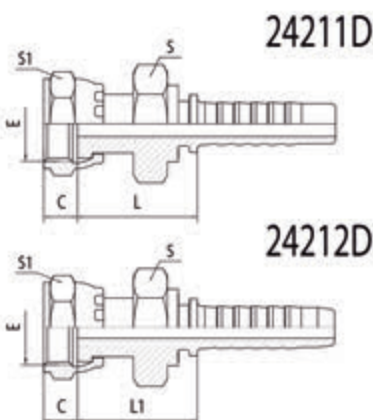
Part No.		Thread E	Hose Bore		Dimensions			
In the lock hose			DN	DASH	C	L	H	S
24243-12-12		U1.3/16"-12	20	12	13.5	83	37.5	36
24243-16-16		U1.7/16"-12	25	16	14.5	94	42	41
24243-20-20		U1.11/16"-12	32	20	15.5	112	48	50
24243-24-24		U2"-12	40	24	19.5	127.5	50.5	60

90°ORFS FEMALE FLAT SEAT

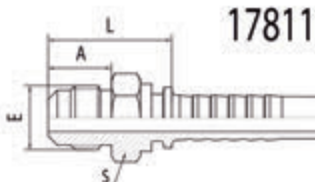


Part No.		Thread E	Hose Bore		Dimensions			
In the lock hose			DN	DASH	C	L	H	S
24293-12-12		U1.3/16"-12	20	12	13.5	62.5	69.5	36
24293-16-16		U1.7/16"-12	25	16	14.5	79	82.5	41
24293-20-20		U1.11/16"-12	32	20	15.5	95	95	50
24293-24-24		U2"-12	40	24	19.5	115	108	60

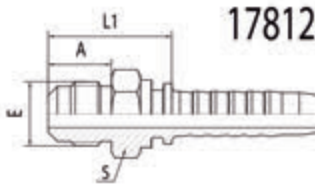
ORFS FEMALE FLAT SEAT DOUBLE HEXAGON



Part No.		Thread E	Hose Bore		Dimensions			
Braided hose	Spiral hose		DN	DASH	C	L	L1	S
24211D-04-04		U9/16"-18	6	04	10	31.5		19
24211D-06-06		U11/16"-16	10	06	11	34.5		22
24211D-08-08	24212D-08-08	U13/16"-16	12	08	12	37.5	37.5	27
24211D-10-10	24212D-10-10	U1"-14	16	10	13.5	39.5	39.5	32
24211D-12-12	24212D-12-12	U1.3/16"-12	20	12	13.5	45	46.5	36
24211D-16-16	24212D-16-16	U1.7/16"-12	25	16	14.5	50	51	41
24211D-20-20	24212D-20-20	U1.11/16"-12	32	20	15.5	51.5	52	50
24211D-24-24	24212D-24-24	U2"-12	40	24	19.5	54.5	55	60



17811



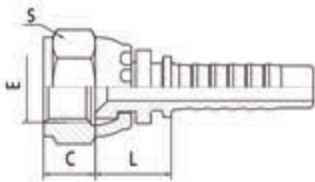
17812

JIC MALE 74° CONE

Part No.		Thread E	Hose Bore		Dimensions			
Braided hose	Spiral hose		DN	DASH	A	L	L1	S
17811-04-04		U7/16"-20	6	04	12.7	25.5		12
17811-05-05		U1/2"-20	8	05	14.2	27		14
17811-06-06		U5/8"-18	10	06	15.7	30.5		17
17811-08-08	17812-08-08	U3/4"-16	12	08	19	35.5	35.5	22
17811-10-10	17812-10-10	U7/8"-14	16	10	22.4	39.5	39.5	24
17811-12-12	17812-12-12	U1.1/16"-12	20	12	25.4	44.5	46	30

SAE FEMALE 90° CONE SEAT

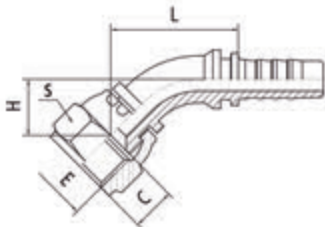
27811 27812



Part No.		Thread E	Hose Bore		Dimensions			
Braided hose	Spiral hose		DN	DASH	C	L	L1	S
27811-04-04		U7/16"-20	6	04	8.5	15.5		17
27811-05-05		U1/2"-20	8	05	9.5	16.5		19
27811-06-06		U5/8"-18	10	06	11.5	16.5		22
27811-08-08	27812-08-08	U3/4"-16	12	08	11	18.5	18.5	24
27811-10-10	27812-10-10	U7/8"-14	16	10	11	20.5	20.5	27
27811-12-12	27812-12-12	U1.1/16"-12	20	12	13.5	21	23.5	32

45° SAE FEMALE 90° CONE SEAT

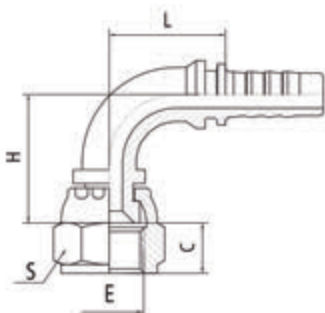
27841 27842



Part No.		Thread E	Hose Bore		Dimensions				
Braided hose	Spiral hose		DN	DASH	C	L	L1	H	S
27841-04-04		U7/16"-20	6	04	8.5	39.5		18	17
27841-05-05		U1/2"-20	8	05	9.5	45.5		18	19
27841-06-06		U5/8"-18	10	06	11.5	46		20	22
27841-08-08	27842-08-08	U3/4"-16	12	08	11	59	59	23.5	24
27841-10-10	27842-10-10	U7/8"-14	16	10	11	66	66	26	27
27841-12-12	27842-12-12	U1.1/16"-12	20	12	13.5	68	71.5	28	32

90° SAE FEMALE 90° CONE SEAT

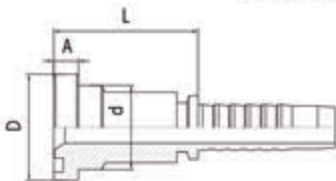
27891 27892



Part No.		Thread E	Hose Bore		Dimensions				
Braided hose	Spiral hose		DN	DASH	C	L	L1	H	S
27891-04-04		U7/16"-20	6	04	8.5	30.5		30.5	17
27891-05-05		U1/2"-20	8	05	9.5	32		35	19
27891-06-06		U5/8"-18	10	06	11.5	34.5		36.5	22
27891-08-08	27892-08-08	U3/4"-16	12	08	11	48	48	42	24
27891-10-10	27892-10-10	U7/8"-14	16	10	11	50.5	50.5	48.5	27
27891-12-12	27892-12-12	U1.1/16"-12	20	12	13.5	58.5	60	55	32

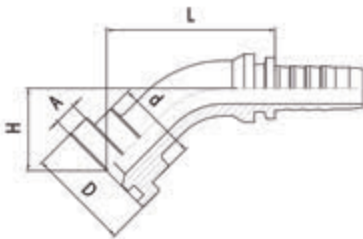
SAE FLANGE 3000 PSI

87311
87312



Part No.		FLANGE SIZE	Hose Bore		Dimensions			
Braided hose	Spiral hose		DN	DASH	L	D	d	A
87311-08-08	87312-08-08	1/2"	12	08	41	30.2	23.9	7
87311-12-08	87312-12-08	3/4"	12	08	42	38.1	31.7	7
87311-12-10	87312-12-10	3/4"	16	10	52.5	38.1	31.7	7
87311-12-12	87312-12-12	3/4"	20	12	53.5	38.1	31.7	7
87311-12-16	87312-12-16	3/4"	25	16	59	38.1	31.7	7
87311-16-12	87312-16-12	1"	20	12	53.5	44.4	38	8.2
87311-16-16	87312-16-16	1"	25	16	59	44.4	38	8.2
87311-20-16	87312-20-16	1.1/4"	25	16	59	50.8	43.2	8.2
87311-20-20	87312-20-20	1.1/4"	32	20	75	50.8	43.2	8.2
87311-24-20	87312-24-20	1.1/2"	32	20	83	60.3	50.3	8.2
87311-24-24	87312-24-24	1.1/2"	40	24	79	60.3	50.3	8.2
87311-32-24	87312-32-24	2"	40	24	79	71.4	62.2	9.8
87311-32-32	87312-32-32	2"	50	32	80	71.4	62.2	9.8
87311-40-32	87312-40-32	2.1/2"	50	32	80	84.1	74.2	9.8
87311-40-40		2.1/2"	64	40	80	84.1	74.2	9.8

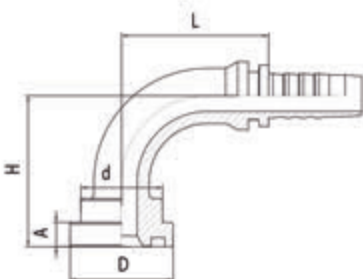
87341
87342



45°SAE FLANGE 3000 PSI

Part No.		FLANGE SIZE	Hose Bore		Dimensions				
Braided hose	Spiral hose		DN	DASH	L	D	d	H	A
87341-08-08	87342-08-08	1/2"	12	08	58.5	30.2	23.9	23	7
87341-12-10	87342-12-10	3/4"	16	10	62.5	38.1	31.7	26.5	7
87341-12-12	87342-12-12	3/4"	20	12	71.5	38.1	31.7	27.5	7
87341-16-16	87342-16-16	1"	25	16	85.5	44.4	38	32.5	8.2
87341-20-16	87342-20-16	1.1/4"	25	16	85.5	50.8	43.2	32.5	8.2
87341-20-20	87342-20-20	1.1/4"	32	20	95	50.8	43.2	35	8.2
87341-24-20	87342-24-20	1.1/2"	32	20	99	60.3	50.3	36.5	8.2
87341-24-24	87342-24-24	1.1/2"	40	24	105.5	60.3	50.3	39.5	8.2
87341-32-32	87342-32-32	2"	50	32	124.5	71.4	62.2	45.5	9.8

87391
87392



90°SAE FLANGE 3000 PSI

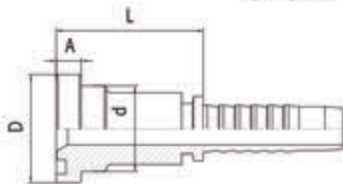
Part No.		FLANGE SIZE	Hose Bore		Dimensions				
Braided hose	Spiral hose		DN	DASH	L	D	d	H	A
87391-08-08	87392-08-08	1/2"	12	08	47.5	30.2	23.9	43	7
87391-12-08	87392-12-08	3/4"	12	08	47.5	38.1	31.7	44	7
87391-12-10	87392-12-10	3/4"	16	10	57	38.1	31.7	50	7
87391-12-12	87392-12-12	3/4"	20	12	61.5	38.1	31.7	54.5	7
87391-16-12	87392-16-12	1"	20	12	63.5	44.4	38	56.5	8.2
87391-16-16	87392-16-16	1"	25	16	72.5	44.4	38	66	8.2
87391-20-16	87392-20-16	1.1/4"	25	16	75.5	50.8	43.2	67	8.2
87391-20-20	87392-20-20	1.1/4"	32	20	93	50.8	43.2	80.5	8.2
87391-24-20	87392-24-20	1.1/2"	32	20	93	60.3	50.3	80	8.2
87391-24-24	87392-24-24	1.1/2"	40	24	110.5	60.3	50.3	92	8.2
87391-32-24	87392-32-24	2"	40	24	110.5	71.4	62.2	92	9.8
87391-32-32	87392-32-32	2"	50	32	137	71.4	62.2	112	9.8
87391-40-32	87392-40-32	2.1/2"	50	32	137	84.1	74.2	112	9.8



SAE FLANGE 6000 PSI

Part No.		FLANGE SIZE	Hose Bore		Dimensions			
Braided hose	Spiral hose		DN	DASH	L	D	d	A
87611-08-08	87612-08-08	1/2"	12	08	43	31.7	23.9	7.9
87611-12-08	87612-12-08	3/4"	12	08	47	41.3	31.7	8.9
87611-12-10	87612-12-10	3/4"	16	10	57.5	41.3	31.7	8.9
87611-12-12	87612-12-12	3/4"	20	12	58.5	41.3	31.7	8.9
87611-16-12	87612-16-12	1"	20	12	58.5	47.6	38	9.6
87611-16-16	87612-16-16	1"	25	16	62	47.6	38	9.6
87611-16-20	87612-16-20	1"	32	20	79	47.6	38	9.6
87611-20-16	87612-20-16	1.1/4"	25	16	64	54	43.6	10.4
87611-20-20	87612-20-20	1.1/4"	32	20	79	54	43.6	10.4
87611-24-20	87612-24-20	1.1/2"	32	20	80	63.5	50.8	12.7
87611-24-24	87612-24-24	1.1/2"	40	24	89	63.5	50.8	12.7
87611-32-24	87612-32-24	2"	40	24	89	79.4	66.5	12.7
87611-32-32	87612-32-32	2"	50	32	90	79.4	66.5	12.7

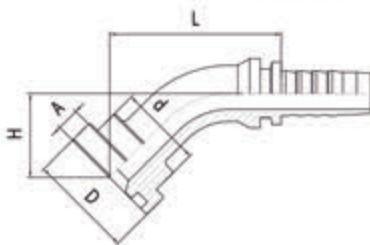
87611
87612



45°SAE FLANGE 6000 PSI

Part No.		FLANGE SIZE	Hose Bore		Dimensions				
Braided hose	Spiral hose		DN	DASH	L	D	d	H	A
87641-08-08	87642-08-08	1/2"	12	08	60	31.7	23.9	24.5	7.9
87641-12-08	87642-12-08	3/4"	12	08	62.5	41.3	31.7	27.5	8.9
87641-12-10	87642-12-10	3/4"	16	10	67.5	41.3	31.7	29.5	8.9
87641-12-12	87642-12-12	3/4"	20	12	73.5	41.3	31.7	30	8.9
87641-16-12	87642-16-12	1"	20	12	74.5	47.6	38	30	9.6
87641-16-16	87642-16-16	1"	25	16	84.5	47.6	38	34	9.6
87641-20-16	87642-20-16	1.1/4"	25	16	86	54	43.6	36	10.4
87641-20-20	87642-20-20	1.1/4"	32	20	98	54	43.6	38.5	10.4
87641-24-20	87642-24-20	1.1/2"	32	20	99.5	63.5	50.8	40.5	12.7
87641-24-24	87642-24-24	1.1/2"	40	24	109.5	63.5	50.8	43.5	12.7
87641-32-24	87642-32-24	2"	40	24	105.5	79.4	66.5	43.5	12.7
87641-32-32	87642-32-32	2"	50	32	129	79.4	66.5	49.5	12.7

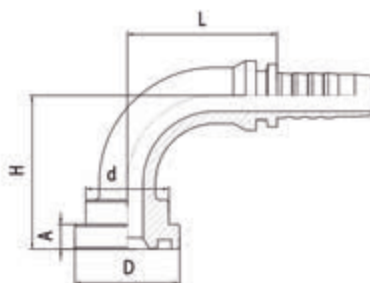
87641
87642



90°SAE FLANGE 6000 PSI

Part No.		FLANGE SIZE	Hose Bore		Dimensions				
Braided hose	Spiral hose		DN	DASH	L	D	d	H	A
87691-08-08	87692-08-08	1/2"	12	08	47.5	31.7	23.9	45	7.9
87691-12-08	87692-12-08	3/4"	12	08	47.5	41.3	31.7	49	8.9
87691-12-10	87692-12-10	3/4"	16	10	54	41.3	31.7	54	8.9
87691-12-12	87692-12-12	3/4"	20	12	62.5	41.3	31.7	60.5	8.9
87691-16-12	87692-16-12	1"	20	12	62.5	47.6	38	60.5	9.6
87691-16-16	87692-16-16	1"	25	16	71.5	47.6	38	69	9.6
87691-20-16	87692-20-16	1.1/4"	25	16	76.5	54	43.6	72	10.4
87691-20-20	87692-20-20	1.1/4"	32	20	93	54	43.6	85	10.4
87691-24-20	87692-24-20	1.1/2"	32	20	93	63.5	50.8	88	12.7
87691-24-24	87692-24-24	1.1/2"	40	24	111	63.5	50.8	98	12.7
87691-32-24	87692-32-24	2"	40	24	111	79.4	66.5	98	12.7
87691-32-32	87692-32-32	2"	50	32	137	79.4	66.5	118	12.7

87691
87692

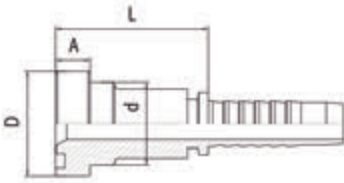


B. HOSE FITTINGS



SAE FLANGE 9000 PSI

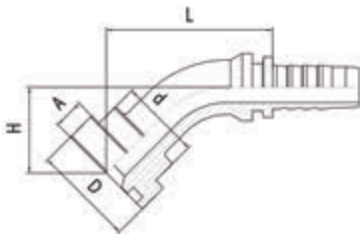
87912



Part No.	FLANGE SIZE	Hose Bore		Dimensions			
		DN	DASH	L	D	d	A
87912-12-12	3/4"	20	12	63.5	41.3	31.7	14.3
87912-16-12	1"	20	12	65.5	47.6	38	14.3
87912-16-16	1"	25	16	67	47.6	38	14.3
87912-20-16	1.1/4"	25	16	68	54	43.6	14.3
87912-20-20	1.1/4"	32	20	83	54	43.6	14.3
87912-24-20	1.1/2"	32	20	91	63.5	50.8	14.3
87912-24-24	1.1/2"	40	24	91	63.5	50.8	14.3
87912-32-32	2"	50	32	90	79.4	66.5	14.3

45°SAE FLANGE 9000 PSI

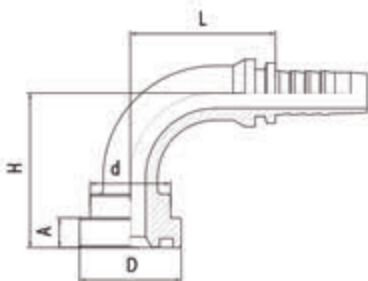
87942



Part No.	FLANGE SIZE	Hose Bore		Dimensions				
		DN	DASH	L	D	d	H	A
87942-12-12	3/4"	20	12	77.5	41.3	31.7	34.5	14.3
87942-16-12	1"	20	12	78	47.6	38	34	14.3
87942-16-16	1"	25	16	89.5	47.6	38	37	14.3
87942-20-16	1.1/4"	25	16	89	54	43.6	38.5	14.3
87942-20-20	1.1/4"	32	20	101	54	43.6	41	14.3
87942-24-20	1.1/2"	32	20	101	63.5	50.8	41	14.3
87942-24-24	1.1/2"	40	24	107	63.5	50.8	44.5	14.3
87942-32-32	2"	50	32	131.5	79.4	66.5	50.5	14.3

90°SAE FLANGE 9000 PSI

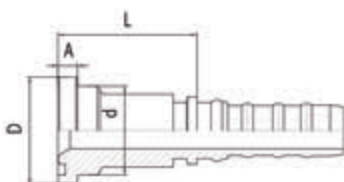
87992



Part No.	FLANGE SIZE	Hose Bore		Dimensions				
		DN	DASH	L	D	d	H	A
87992-12-12	3/4"	20	12	62	41.3	31.7	64	14.3
87992-16-12	1"	20	12	62.5	47.6	38	63.5	14.3
87992-16-16	1"	25	16	72	47.6	38	73.5	14.3
87992-20-16	1.1/4"	25	16	76	54	43.6	77.5	14.3
87992-20-20	1.1/4"	32	20	93	54	43.6	89	14.3
87992-24-20	1.1/2"	32	20	93	63.5	50.8	89.5	14.3
87992-24-24	1.1/2"	40	24	111	63.5	50.8	99.5	14.3
87992-32-32	2"	50	32	137	79.4	66.5	120	14.3

SAE FLANGE 3000 PSI

87313

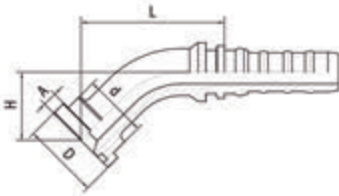


Part No.	FLANGE SIZE	Hose Bore		Dimensions			
		DN	DASH	L	D	d	A
In the lock hose							
87313-12-12	3/4"	20	12	53.5	38.1	31.7	7
87313-16-12	1"	20	12	53.5	44.4	38	8.2
87313-16-16	1"	25	16	59.3	44.4	38	8.2
87313-20-16	1.1/4"	25	16	59.3	50.8	43.2	8.2
87313-20-20	1.1/4"	32	20	75	50.8	43.2	8.2
87313-24-20	1.1/2"	32	20	83	60.3	50.3	8.2
87313-24-24	1.1/2"	40	24	80.3	60.3	50.3	8.2
87313-32-24	2"	40	24	80.3	71.4	62.2	9.8
87313-32-32	2"	50	32	82.5	71.4	62.2	9.8



45°SAE FLANGE 3000 PSI

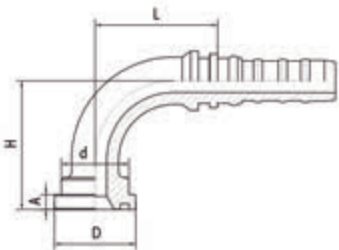
87343



Part No.	FLANGE SIZE	Hose Bore		Dimensions				
		DN	DASH	L	D	d	H	A
In the lock hose								
87343-12-12	3/4"	20	12	69.5	38.1	31.7	27.5	7
87343-16-12	1"	20	12	73	44.4	38	29	8.2
87343-16-16	1"	25	16	86	44.4	38	32	8.2
87343-20-16	1.1/4"	25	16	86	50.8	43.2	32	8.2
87343-20-20	1.1/4"	32	20	95	50.8	43.2	35	8.2
87343-24-20	1.1/2"	32	20	99	60.3	50.3	36.5	8.2
87343-24-24	1.1/2"	40	24	103	60.3	50.3	39	8.2
87343-32-24	2"	40	24	103	71.4	62.2	39	9.8
87343-32-32	2"	50	32	139	71.4	62.2	48.5	9.8

90°SAE FLANGE 3000 PSI

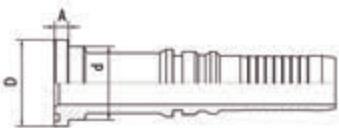
87393



Part No.	FLANGE SIZE	Hose Bore		Dimensions				
		DN	DASH	L	D	d	H	A
In the lock hose								
87393-12-12	3/4"	20	12	60.5	38.1	31.7	54.5	7
87393-16-12	1"	20	12	63.5	44.4	38	56.5	8.2
87393-16-16	1"	25	16	73	44.4	38	66	8.2
87393-20-16	1.1/4"	25	16	76	50.8	43.2	67	8.2
87393-20-20	1.1/4"	32	20	95	50.8	43.2	80	8.2
87393-24-20	1.1/2"	32	20	95	60.3	50.3	82	8.2
87393-24-24	1.1/2"	40	24	115	60.3	50.3	92	8.2
87393-32-24	2"	40	24	115	71.4	62.2	92	9.8
87393-32-32	2"	50	32	143	71.4	62.2	112	9.8

SAE FLANGE 3000 PSI

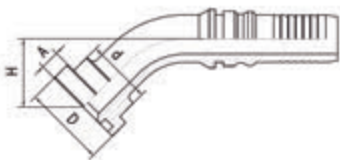
87313L



Part No.	FLANGE SIZE	Hose Bore		Dimensions		
		DN	DASH	D	d	A
In the lock stronger hose						
87313-20-20L	1.1/4"	32	20	50.8	43.2	8.2
87313-24-24L	1.1/2"	40	24	60.3	50.3	8.2
87313-32-32L	2"	50	32	71.4	62.2	9.8

45°SAE FLANGE 3000 PSI

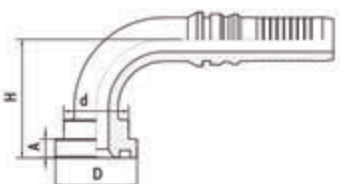
87343L



Part No.	FLANGE SIZE	Hose Bore		Dimensions			
		DN	DASH	D	d	H	A
In the lock stronger hose							
87343-20-20L	1.1/4"	32	20	50.8	43.2	35.5	8.2
87343-24-24L	1.1/2"	40	24	60.3	50.3	41	8.2
87343-32-32L	2"	50	32	71.4	62.2	48	9.8

90°SAE FLANGE 3000 PSI

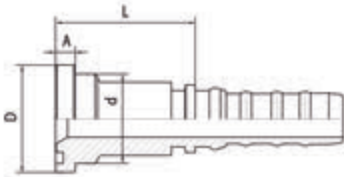
87393L



Part No.	FLANGE SIZE	Hose Bore		Dimensions			
		DN	DASH	D	d	H	A
In the lock stronger hose							
87393-20-20L	1.1/4"	32	20	50.8	43.2	80.5	8.2
87393-24-24L	1.1/2"	40	24	60.3	50.3	94	8.2
87393-32-32L	2"	50	32	71.4	62.2	116	9.8

SAE FLANGE 6000 PSI

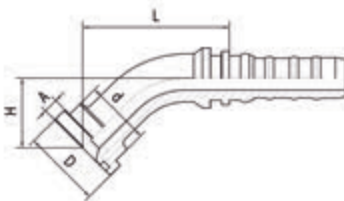
87613



Part No.	FLANGE SIZE	Hose Bore		Dimensions			
		DN	DASH	L	D	d	A
In the lock hose							
87613-12-12	3/4"	20	12	57.5	41.3	31.7	8.9
87613-16-12	1"	20	12	57.5	47.6	38	9.6
87613-16-16	1"	25	16	62.3	47.6	38	9.6
87613-20-16	1.1/4"	25	16	59.3	54	43.6	10.4
87613-20-20	1.1/4"	32	20	79	54	43.6	10.4
87613-24-20	1.1/2"	32	20	80	63.5	50.8	12.7
87613-24-24	1.1/2"	40	24	90.3	63.5	50.8	12.7
87613-32-24	2"	40	24	86.3	79.4	66.5	12.7
87613-32-32	2"	50	32	88.5	79.4	66.5	12.7

45°SAE FLANGE 6000 PSI

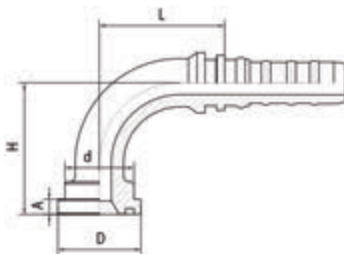
87643



Part No.	FLANGE SIZE	Hose Bore		Dimensions				
		DN	DASH	L	D	d	H	A
In the lock hose								
87643-12-12	3/4"	20	12	73.5	41.3	31.7	31	8.9
87643-16-12	1"	20	12	68.5	47.6	38	30	9.6
87643-16-16	1"	25	16	85	47.6	38	33.5	9.6
87643-20-16	1.1/4"	25	16	86.5	54	43.6	35.5	10.4
87643-20-20	1.1/4"	32	20	98.5	54	43.6	38.5	10.4
87643-24-20	1.1/2"	32	20	99.5	63.5	50.8	40.5	12.7
87643-24-24	1.1/2"	40	24	112	63.5	50.8	43.5	12.7
87643-32-24	2"	40	24	110	79.4	66.5	43.5	12.7
87643-32-32	2"	50	32	138.5	79.4	66.5	49.5	12.7

90°SAE FLANGE 6000 PSI

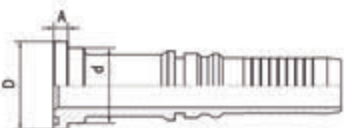
87693



Part No.	FLANGE SIZE	Hose Bore		Dimensions				
		DN	DASH	L	D	d	H	A
In the lock hose								
87693-12-12	3/4"	20	12	63.5	41.3	31.7	59.5	8.9
87693-16-12	1"	20	12	63.5	47.6	38	59.5	9.6
87693-16-16	1"	25	16	72	47.6	38	69	9.6
87693-20-16	1.1/4"	25	16	77	54	43.6	72	10.4
87693-20-20	1.1/4"	32	20	95	54	43.6	85	10.4
87693-24-20	1.1/2"	32	20	95	63.5	50.8	88	12.7
87693-24-24	1.1/2"	40	24	115	63.5	50.8	98	12.7
87693-32-24	2"	40	24	115	79.4	66.5	98	12.7
87693-32-32	2"	50	32	143	79.4	66.5	118	12.7

SAE FLANGE 6000 PSI

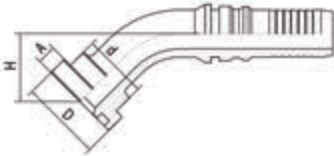
87613L



Part No.	FLANGE SIZE	Hose Bore		Dimensions		
		DN	DASH	D	d	A
In the lock stronger hose						
87613-20-20L	1.1/4"	32	20	54	43.6	10.4
87613-24-24L	1.1/2"	40	24	63.5	50.8	12.7
87613-32-32L	2"	50	32	79.4	66.5	12.7



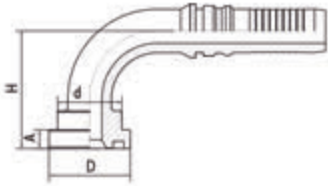
87643L



45°SAE FLANGE 6000 PSI

Part No.	FLANGE SIZE	Hose Bore		Dimensions			
		DN	DASH	D	d	H	A
In the lock stronger hose							
87643-20-20L	1.1/4"	32	20	54	43.6	38.5	10.4
87643-24-24L	1.1/2"	40	24	63.5	50.8	45	12.7
87643-32-32L	2"	50	32	79.4	66.5	52	12.7

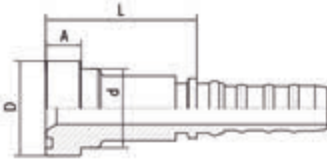
87693L



90°SAE FLANGE 6000 PSI

Part No.	FLANGE SIZE	Hose Bore		Dimensions			
		DN	DASH	D	d	H	A
In the lock stronger hose							
87693-20-20L	1.1/4"	32	20	54	43.6	85	10.4
87693-24-24L	1.1/2"	40	24	63.5	50.8	100	12.7
87693-32-32L	2"	50	32	79.4	66.5	122	12.7

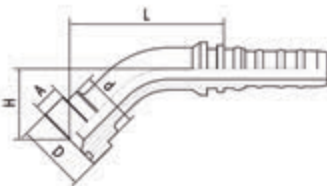
87913



SAE FLANGE 9000 PSI

Part No.	FLANGE SIZE	Hose Bore		Dimensions			
		DN	DASH	L	D	d	A
In the lock hose							
87913-12-12	3/4"	20	12	63.5	41.3	31.7	14.3
87913-16-12	1"	20	12	75.5	47.6	38	14.3
87913-16-16	1"	25	16	67.3	47.6	38	14.3
87913-20-16	1.1/4"	25	16	63.3	54	43.6	14.3
87913-20-20	1.1/4"	32	20	83	54	43.6	14.3
87913-24-20	1.1/2"	32	20	80	63.5	50.8	14.3
87913-24-24	1.1/2"	40	24	90.3	63.5	50.8	14.3

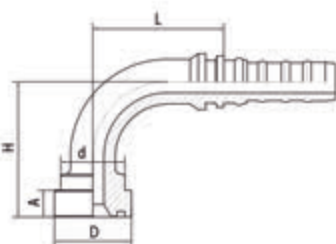
87943



45°SAE FLANGE 9000 PSI

Part No.	FLANGE SIZE	Hose Bore		Dimensions				
		DN	DASH	L	D	d	H	A
In the lock hose								
87943-12-12	3/4"	20	12	78	41.3	31.7	34	14.3
87943-16-12	1"	20	12	78	47.6	38	34	14.3
87943-16-16	1"	25	16	91	47.6	38	37	14.3
87943-20-16	1.1/4"	25	16	89.5	54	43.6	38.5	14.3
87943-20-20	1.1/4"	32	20	101	54	43.6	41	14.3
87943-24-20	1.1/2"	32	20	101	63.5	50.8	41	14.3
87943-24-24	1.1/2"	40	24	110.5	63.5	50.8	44.5	14.3

87993



90°SAE FLANGE 9000 PSI

Part No.	FLANGE SIZE	Hose Bore		Dimensions				
		DN	DASH	L	D	d	H	A
In the lock hose								
87993-12-12	3/4"	20	12	62	41.3	31.7	65	8.9
87993-16-12	1"	20	12	62	47.6	38	65	9.6
87993-16-16	1"	25	16	72	47.6	38	74	9.6
87993-20-16	1.1/4"	25	16	77	54	43.6	78	10.4
87993-20-20	1.1/4"	32	20	95	54	43.6	89	10.4
87993-24-20	1.1/2"	32	20	95	63.5	50.8	89	12.7
87993-24-24	1.1/2"	40	24	115	63.5	50.8	99.5	12.7

B. HOSE FITTINGS



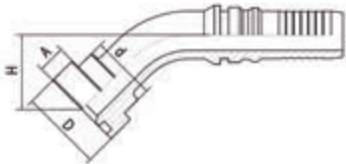
87913L



SAE FLANGE 9000 PSI

Part No.	FLANGE SIZE	Hose Bore		Dimensions		
		DN	DASH	D	d	A
In the lock stronger hose						
87913-20-20L	1.1/4"	32	20	54	43.6	14.3
87913-24-24L	1.1/2"	40	24	63.5	50.8	14.3
87913-32-32L	2"	50	32	79.4	66.5	14.3

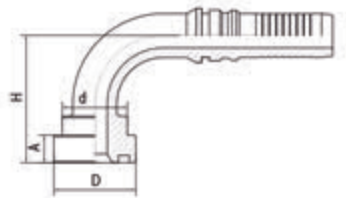
87943L



45°SAE FLANGE 9000 PSI

Part No.	FLANGE SIZE	Hose Bore		Dimensions			
		DN	DASH	D	d	H	A
In the lock stronger hose							
87943-20-20L	1.1/4"	32	20	54	43.6	41	14.3
87943-24-24L	1.1/2"	40	24	63.5	50.8	46	14.3
87943-32-32L	2"	50	32	79.4	66.5	53.5	14.3

87993L



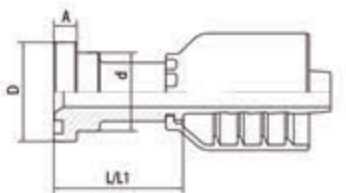
90°SAE FLANGE 9000 PSI

Part No.	FLANGE SIZE	Hose Bore		Dimensions			
		DN	DASH	D	d	H	A
In the lock stronger hose							
87993-20-20L	1.1/4"	32	20	54	43.6	89	14.3
87993-24-24L	1.1/2"	40	24	63.5	50.8	101.5	14.3
87993-32-32L	2"	50	32	79.4	66.5	123.5	14.3

87311P-A

87311P-B

87312P-D



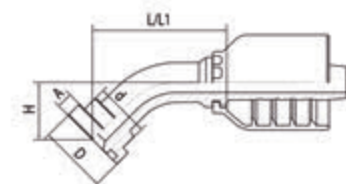
SAE FLANGE 3000 PSI ONE PIECE FITTING

Part No.		FLANGE SIZE	Hose Bore		Dimensions				
Braided hose	Spiral hose		DN	DASH	L	L1	D	d	A
87311P-08-08A	87312P-08-08D	1/2"	12	08	41.5	41.5	30.2	23.9	7
87311P-12-12A/B	87312P-12-12D	3/4"	20	12	58	50.5	38.1	31.7	7
87311P-16-12A/B	87312P-16-12D	1"	20	12	58	50.5	44.4	38	8.2
87311P-16-16A/B	87312P-16-16D	1"	25	16	64.5	56	44.4	38	8.2
87311P-20-20A/B	87312P-20-20D	1.1/4"	32	20	74	75.5	50.8	43.2	8.2
87311P-24-24A/B	87312P-24-24D	1.1/2"	40	24	74	75.5	60.3	50.3	8.2
87311P-32-24A/B	87312P-32-24D	2"	40	24	74	75.5	71.4	62.2	9.8
87311P-32-32A/B	87312P-32-32D	2"	50	32	81.5	81.5	71.4	62.2	9.8

87341P-A

87341P-B

87342P-D

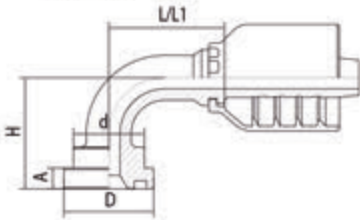


45°SAE FLANGE 3000 PSI ONE PIECE FITTING

Part No.		FLANGE SIZE	Hose Bore		Dimensions					
Braided hose	Spiral hose		DN	DASH	L	L1	D	d	H	A
87341P-08-08A	87342P-08-08D	1/2"	12	08	57	57	30.2	23.9	20	7
87341P-12-12A/B	87342P-12-12D	3/4"	20	12	69	69.5	38.1	31.7	25	7
87341P-16-12A/B	87342P-16-12D	1"	20	12	71	71.5	44.4	38	25	8.2
87341P-16-16A/B	87342P-16-16D	1"	25	16	82	82.5	44.4	38	32	8.2
87341P-20-20A/B	87342P-20-20D	1.1/4"	32	20	105.5	107	50.8	43.2	40	8.2
87341P-24-24A/B	87342P-24-24D	1.1/2"	40	24	110.5	113	60.3	50.3	49	8.2
87341P-32-24A/B	87342P-32-24D	2"	40	24	110.5	113	71.4	62.2	49	9.8
87341P-32-32A/B	87342P-32-32D	2"	50	32	137	137	71.4	62.2	50	9.8



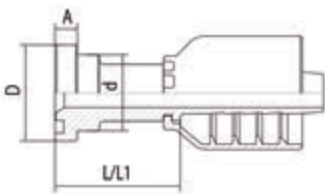
87391P-A
87391P-B
87392P-D



90°SAE FLANGE 3000 PSI ONE PIECE FITTING

Part No.		FLANGE SIZE	Hose Bore		Dimensions					
Braided hose	Spiral hose		DN	DASH	L	L1	D	d	H	A
87391P-08-08B	87392P-08-08D	1/2"	12	08	38	38	30.2	23.9	41	7
87391P-12-12A/B	87392P-12-12D	3/4"	20	12	54.5	55	38.1	31.7	58	7
87391P-16-12A/B	87392P-16-12D	1"	20	12	58.5	59	44.4	38	58	8.2
87391P-16-16A/B	87392P-16-16D	1"	25	16	76	67.5	44.4	38	68	8.2
87391P-20-20A/B	87392P-20-20D	1.1/4"	32	20	85.5	93	50.8	43.2	80	8.2
87391P-24-24A/B	87392P-24-24D	1.1/2"	40	24	101.5	104	60.3	50.3	85	8.2
87391P-32-24A/B	87392P-32-24D	2"	40	24	105.5	108	71.4	62.2	104	9.8
87391P-32-32A/B	87392P-32-32D	2"	50	32	135	135	71.4	62.2	114	9.8

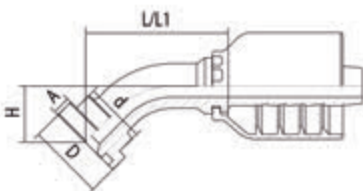
87611P-A
87611P-B
87612P-D



SAE FLANGE 6000 PSI ONE PIECE FITTING

Part No.		FLANGE SIZE	Hose Bore		Dimensions					
Braided hose	Spiral hose		DN	DASH	L	L1	D	d	A	
87611P-08-08A	87612P-08-08D	1/2"	12	08	43.5	43.5	31.7	23.9	7.9	
87611P-12-12A/B	87612P-12-12D	3/4"	20	12	63	55.5	41.3	31.7	8.9	
87611P-16-12A/B	87612P-16-12D	1"	20	12	63	55.5	47.6	38	9.6	
87611P-16-16A/B	87612P-16-16D	1"	25	16	67.5	59	47.6	38	9.6	
87611P-20-16A/B	87612P-20-16D	1.1/4"	25	16	69.5	61	54	43.6	10.4	
87611P-20-20A/B	87612P-20-20D	1.1/4"	32	20	73	74.5	54	43.6	10.4	
87611P-24-24A/B	87612P-24-24D	1.1/2"	40	24	83	85.5	63.5	50.8	12.7	
87611P-32-32A/B	87612P-32-32D	2"	50	32	92.5	92.5	79.4	66.5	12.7	

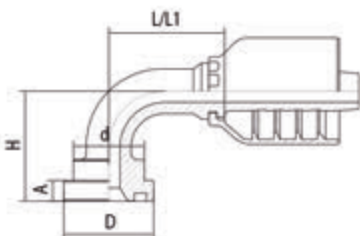
87641P-A
87641P-B
87642P-D



45°SAE FLANGE 6000 PSI ONE PIECE FITTING

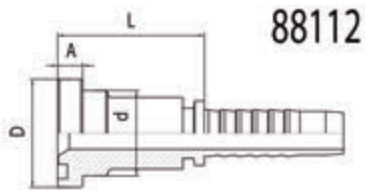
Part No.		FLANGE SIZE	Hose Bore		Dimensions					
Braided hose	Spiral hose		DN	DASH	L	L1	D	d	H	A
87641P-12-12A/B	87642P-12-12D	3/4"	20	12	71	71.5	41.3	31.7	29	8.9
87641P-16-12A/B	87642P-16-12D	1"	20	12	71	71.5	47.6	38	29	9.6
87641P-16-16A/B	87642P-16-16D	1"	25	16	82	82.5	47.6	38	32	9.6
87641P-20-16A/B	87642P-20-16D	1.1/4"	25	16	84	84.5	54	43.6	32	10.4
87641P-20-20A/B	87642P-20-20D	1.1/4"	32	20	92.5	94	54	43.6	38	10.4
87641P-24-24A/B	87642P-24-24D	1.1/2"	40	24	105.5	108	63.5	50.8	44	12.7
87641P-32-32A/B	87642P-32-32D	2"	50	32	139	139	79.4	66.5	52	12.7

87691P-A
87691P-B
87692P-D



90°SAE FLANGE 6000 PSI ONE PIECE FITTING

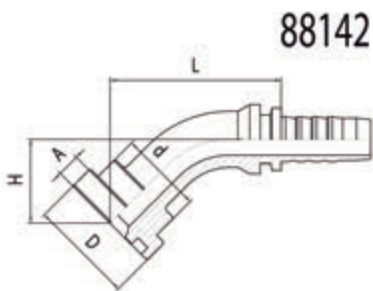
Part No.		FLANGE SIZE	Hose Bore		Dimensions					
Braided hose	Spiral hose		DN	DASH	L	L1	D	d	H	A
87691P-12-12A/B	87692P-12-12D	3/4"	20	12	61.5	62	41.3	31.7	58	8.9
87691P-16-12A/B	87692P-16-12D	1"	20	12	61.5	62	47.6	38	58	9.6
87691P-16-16A/B	87692P-16-16D	1"	25	16	70	70.5	47.6	38	70	9.6
87691P-20-16A/B	87692P-20-16D	1.1/4"	25	16	75	75.5	54	43.6	70	10.4
87691P-20-20A/B	87692P-20-20D	1.1/4"	32	20	85.5	87	54	43.6	83	10.4
87691P-24-24A/B	87692P-24-24D	1.1/2"	40	24	111	113.5	63.5	50.8	100	12.7
87691P-32-32A/B	87692P-32-32D	2"	50	32	135	135	79.4	66.5	118	12.7



88112

JIS FLANGE

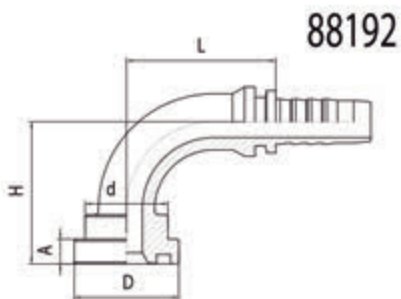
Part No.	FLANGE SIZE	Hose Bore		Dimensions			
		DN	DASH	L	D	d	A
Spiral hose	5/8"	12	08	42	34.2	27.8	6.7
88112-10-08	5/8"	12	08	42	34.2	27.8	6.7
88112-10-10	5/8"	16	10	46.5	34.2	27.8	6.7



88142

45° JIS FLANGE

Part No.	FLANGE SIZE	Hose Bore		Dimensions				
		DN	DASH	L	D	d	H	A
Spiral hose	5/8"	12	08	62	34.2	27.8	24	6.7
88142-10-08	5/8"	12	08	62	34.2	27.8	24	6.7
88142-10-10	5/8"	16	10	69	34.2	27.8	26	6.7



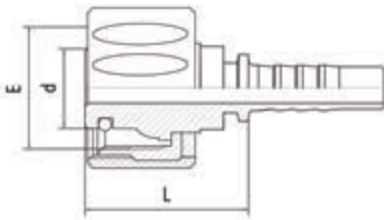
88192

90° JIS FLANGE

Part No.	FLANGE SIZE	Hose Bore		Dimensions				
		DN	DASH	L	D	d	H	A
Spiral hose	5/8"	12	08	50	34.2	27.8	48	6.7
88192-10-08	5/8"	12	08	50	34.2	27.8	48	6.7
88192-10-10	5/8"	16	10	53	34.2	27.8	49	6.7



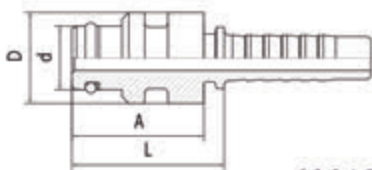
30011



METRIC FEMALE WATERWASH INSERTS

Part No.		Thread E	Hose Bore		Dimensions		
Braided hose			DN	DASH	d	L	
30011-22-04		M22X1.5	6	04	14	32.5	
30011-22-05		M22X1.5	8	05	14	32.5	
30011-22-06		M22X1.5	10	06	14	32.5	

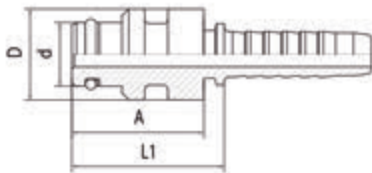
60011



MT STAPLELOCK MALE

Part No.		Hose Bore		Dimensions				
Braided hose	Spiral hose	DN	DASH	d	D	A	L	L1
60011-10-04		6	04	10	15	29	33.5	
60011-14-05		8	05	14	20	29	33.5	
60011-14-06		10	06	14	20	29	33.5	
60011-18-08	60012-18-08	12	08	18	24	29	34.5	34.5
60011-21-10	60012-21-10	16	10	21	26	29	34.5	34.5
60011-24-12	60012-24-12	20	12	24	29	29	35	36.5
60011-31-16	60012-31-16	25	16	31	39	35	43	44
60011-38-20	60012-38-20	32	20	38	46	35	43.5	44
60011-47-24	60012-47-24	40	24	47	55	40	48.5	49
60011-56-32	60012-56-32	50	32	56	64	40	50	50

60012



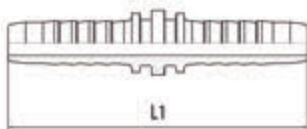
90011



DOUBLE CONNECTOR

Part No.		Hose Bore		Dimensions	
Braided hose	Spiral hose	DN	DASH	L	L1
90011-04		6	04	74	
90011-05		8	05	78	
90011-06		10	06	78	
90011-08	90012-08	12	08	86	86
90011-10	90012-10	16	10	90	90
90011-12	90012-12	20	12	99	113
90011-16	90012-16	25	16	121	135
90011-20	90012-20	32	20	130	158
90011-24	90012-24	40	24	136	166
90011-32	90012-32	50	32	177	177

90012







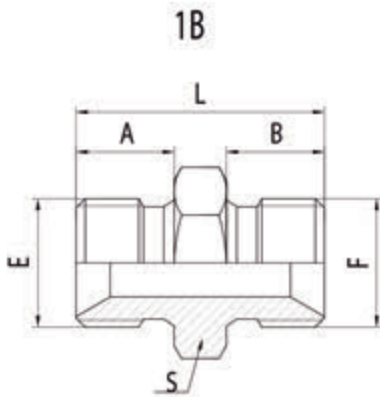
C. BSP ADAPTERS



C. BSP ADAPTERS



BSP MALE 60°SEAT OR BONDED SEAL



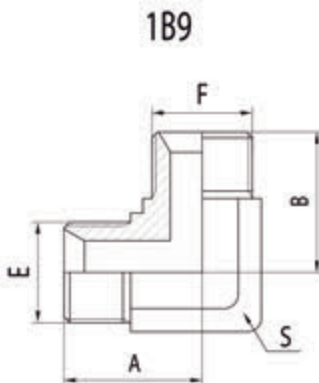
Part No.	Thread		Dimensions			
	E	F	A	B	L	S
1B-02	G1/8"-28	G1/8"-28	9	9	24	14
1B-04-02	G1/4"-19	G1/8"-28	12	9	27	19
1B-04	G1/4"-19	G1/4"-19	12	12	30	19
1B-06-04	G3/8"-19	G1/4"-19	13.5	12	33	22
1B-06	G3/8"-19	G3/8"-19	13.5	13.5	34.5	22
1B-08-06	G1/2"-14	G3/8"-19	16	13.5	37.5	27
1B-08	G1/2"-14	G1/2"-14	16	16	40	27
1B-10-08	G5/8"-14	G1/2"-14	16	16	41	30
1B-10	G5/8"-14	G5/8"-14	16	16	40	30
1B-12-08	G3/4"-14	G1/2"-14	18	16	44	32
1B-12	G3/4"-14	G3/4"-14	18	18	46.5	32
1B-16-12	G1"-11	G3/4"-14	19	18	48.5	41
1B-16	G1"-11	G1"-11	19	19	49.5	41
1B-20-16	G1.1/4"-11	G1"-11	20	19	51	50
1B-20	G1.1/4"-11	G1.1/4"-11	20	20	52	50
1B-24-20	G1.1/2"-11	G1.1/4"-11	22	20	54.5	55
1B-24	G1.1/2"-11	G1.1/2"-11	22	22	56.5	55
1B-32-24	G2"-11	G1.1/2"-11	25.5	22	64	70
1B-32	G2"-11	G2"-11	25.5	25.5	67.5	70

45°BSP MALE 60°SEAT



Part No.	Thread		Dimensions		
	E	F	A	B	S
1B4-02	G1/8"-28	G1/8"-28	18	18	11
1B4-04	G1/4"-19	G1/4"-19	20	20	14
1B4-06	G3/8"-19	G3/8"-19	23	23	17
1B4-08	G1/2"-14	G1/2"-14	27	27	22
1B4-12	G3/4"-14	G3/4"-14	31	31	27
1B4-16	G1"-11	G1"-11	35.5	35.5	33
1B4-20	G1.1/4"-11	G1.1/4"-11	40	40	44
1B4-24	G1.1/2"-11	G1.1/2"-11	47	47	50
1B4-32	G2"-11	G2"-11	56	56	65

90°BSP MALE 60°SEAT

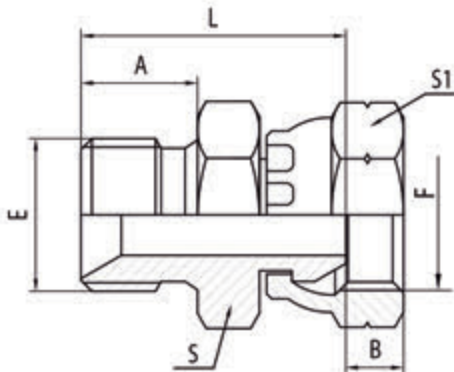


Part No.	Thread		Dimensions		
	E	F	A	B	S
1B9-02	G1/8"-28	G1/8"-28	20	20	11
1B9-04	G1/4"-19	G1/4"-19	25	25	14
1B9-06	G3/8"-19	G3/8"-19	29	29	17
1B9-08	G1/2"-14	G1/2"-14	35	35	22
1B9-12	G3/4"-14	G3/4"-14	41	41	27
1B9-16	G1"-11	G1"-11	46	46	33
1B9-20	G1.1/4"-11	G1.1/4"-11	54	54	41
1B9-24	G1.1/2"-11	G1.1/2"-11	58	58	48
1B9-32	G2"-11	G2"-11	69	69	65

BSP MALE 60°SEAT /FEMALE SWIVEL 60°CONE

Part No.	Thread		Dimensions				
	E	F	A	B	L	S	S1
2B-02-02	G1/8"-28	G1/8"-28	9	5.5	25	14	14
2B-04-04	G1/4"-19	G1/4"-19	12	5.5	28.5	19	19
2B-04-06	G1/4"-19	G3/8"-19	12	6.5	29.5	19	22
2B-06-04	G3/8"-19	G1/4"-19	13.5	5.5	31	22	19
2B-06-08	G3/8"-19	G3/8"-19	13.5	6.5	32	22	22
2B-08-06	G1/2"-14	G3/8"-19	16	6.5	36	27	22
2B-08-08	G1/2"-14	G1/2"-14	16	8	36.5	27	27
2B-08-12	G1/2"-14	G3/4"-14	16	11.5	38.5	27	32
2B-10-08	G5/8"-14	G1/2"-14	16	8	38	30	27
2B-12-08	G3/4"-14	G1/2"-14	18	8	40	32	27
2B-12-12	G3/4"-14	G3/4"-14	18	11.5	42	32	32
2B-12-16	G3/4"-14	G1"-11	18	11.5	44	32	41
2B-16-16	G1"-11	G1"-11	19	11.5	46.5	41	41
2B-20-20	G1.1/4"-11	G1.1/4"-11	20	12	50	50	50
2B-24-24	G1.1/2"-11	G1.1/2"-11	22	13	53.5	55	55
2B-32-32	G2"-11	G2"-11	25.5	16	65	70	70

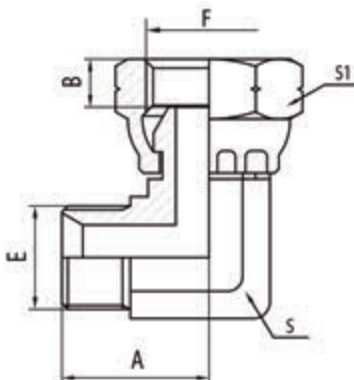
2B



90°BSP MALE 60°SEAT /FEMALE SWIVEL 60°CONE

Part No.	Thread		Dimensions			
	E	F	A	B	S	S1
2B9-02-02	G1/8"-28	G1/8"-28	20	5.5	11	14
2B9-04-02	G1/4"-19	G1/4"-19	25	5.5	14	19
2B9-06-06	G3/8"-19	G3/8"-19	29	6.5	17	22
2B9-08-08	G1/2"-14	G1/2"-14	35	8	22	27
2B9-12-12	G3/4"-14	G3/4"-14	41	11.5	27	32
2B9-16-16	G1"-11	G1"-11	46	11.5	33	41
2B9-20-20	G1.1/4"-11	G1.1/4"-11	54	12	41	50
2B9-24-24	G1.1/2"-11	G1.1/2"-11	58	13	48	55
2B9-32-32	G2"-11	G2"-11	69	16	65	70

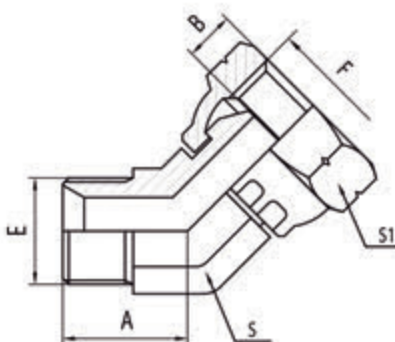
2B9



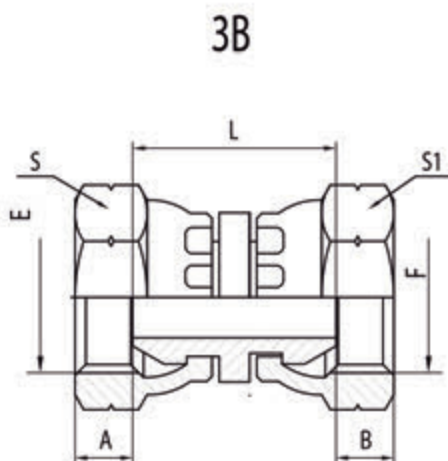
45°BSP MALE 60°SEAT /FEMALE SWIVEL 60°CONE

Part No.	Thread		Dimensions			
	E	F	A	B	S	S1
2B4-02-02	G1/8"-28	G1/8"-28	18	5.5	11	14
2B4-04-04	G1/4"-19	G1/4"-19	20	5.5	14	19
2B4-06-06	G3/8"-19	G3/8"-19	23	6.5	17	22
2B4-08-08	G1/2"-14	G1/2"-14	27	8	22	27
2B4-12-12	G3/4"-14	G3/4"-14	31	11.5	27	32
2B4-16-16	G1"-11	G1"-11	35.5	11.5	33	41
2B4-20-20	G1.1/4"-11	G1.1/4"-11	40	12	44	50
2B4-24-24	G1.1/2"-11	G1.1/2"-11	47	13	50	55
2B4-32-32	G2"-11	G2"-11	56	16	65	70

2B4

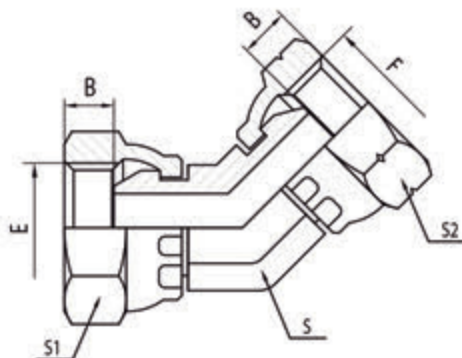


BSP FEMALE SWIVEL 60°CONE



Part No.	Thread		Dimensions				
	E	F	A	B	L	S	S1
3B-02-02	G1/8"-28	G1/8"-28	5.5	5.5	22	14	14
3B-04-02	G1/4"-19	G1/8"-28	5.5	5.5	24	19	14
3B-04-04	G1/4"-19	G1/4"-19	5.5	5.5	25	19	19
3B-06-04	G3/8"-19	G1/4"-19	6.5	5.5	26.5	22	19
3B-06-06	G3/8"-19	G3/8"-19	6.5	6.5	28	22	22
3B-08-04	G1/2"-14	G1/4"-19	8	5.5	26.5	27	19
3B-08-06	G1/2"-14	G3/8"-19	8	6.5	28	27	22
3B-10-08	G5/8"-14	G1/2"-14	10.5	8	29	30	27
3B-12-08	G1/2"-14	G1/2"-14	8	8	28	27	27
3B-12-10	G3/4"-14	G5/8"-14	11.5	10.5	31	32	30
3B-12-12	G3/4"-14	G3/4"-14	11.5	11.5	33	32	32
3B-16-12	G1"-11	G3/4"-14	11.5	11.5	34.5	41	32
3B-16-16	G1"-11	G1"-11	11.5	11.5	37	41	41
3B-20-20	G1.1/4"-11	G1.1/4"-11	12	12	41.5	50	50
3B-24-24	G1.1/2"-11	G1.1/2"-11	13	13	43.5	55	55
3B-32-32	G2"-11	G2"-11	16	16	52	70	70

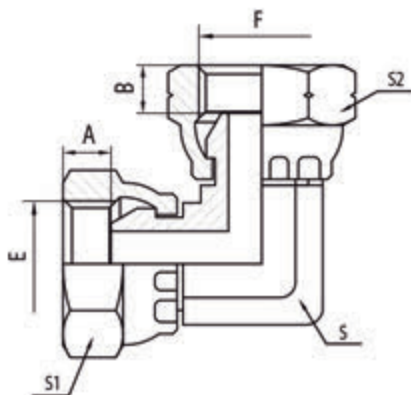
3B4



90°BSP FEMALE SWIVEL 60°CONE

Part No.	Thread		Dimensions				
	E	F	A	B	S	S1	S2
3B4-02-02	G1/8"-28	G1/8"-28	5.5	5.5	11	14	14
3B4-04-04	G1/4"-19	G1/4"-19	5.5	5.5	11	19	19
3B4-06-06	G3/8"-19	G3/8"-19	6.5	6.5	14	22	22
3B4-08-08	G1/2"-14	G1/2"-14	8	8	19	27	27
3B4-12-12	G3/4"-14	G3/4"-14	11.5	11.5	24	32	32
3B4-16-16	G1"-11	G1"-11	11.5	11.5	27	41	41
3B4-20-20	G1.1/4"-11	G1.1/4"-11	12	12	41	50	50
3B4-24-24	G1.1/2"-11	G1.1/2"-11	13	13	48	55	55
3B4-32-32	G2"-11	G2"-11	16	16	65	70	70

3B9

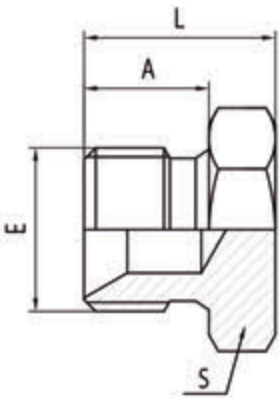


90°BSP FEMALE SWIVEL 60°CONE

Part No.	Thread		Dimensions				
	E	F	A	B	S	S1	S2
3B9-02-02	G1/8"-28	G1/8"-28	5.5	5.5	11	14	14
3B9-04-04	G1/4"-19	G1/4"-19	5.5	5.5	11	19	19
3B9-06-06	G3/8"-19	G3/8"-19	6.5	6.5	14	22	22
3B9-08-08	G1/2"-14	G1/2"-14	8	8	19	27	27
3B9-12-12	G3/4"-14	G3/4"-14	11.5	11.5	24	32	32
3B9-16-16	G1"-11	G1"-11	11.5	11.5	27	41	41
3B9-20-20	G1.1/4"-11	G1.1/4"-11	12	12	41	50	50
3B9-24-24	G1.1/2"-11	G1.1/2"-11	13	13	48	55	55
3B9-32-32	G2"-11	G2"-11	16	16	65	70	70



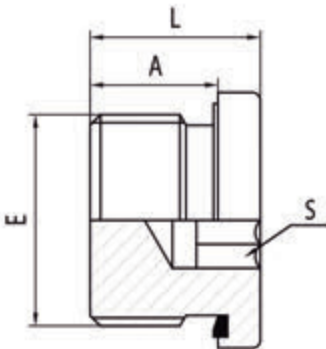
4B



BSP MALE 60° SEAT OR BONDED SEAL PLUG

Part No.	Thread		Dimensions		
	E		A	L	S
4B-02	G1/8"-28		9	15	14
4B-04	G1/4"-19		12	18	19
4B-06	G3/8"-19		13.5	21	22
4B-08	G1/2"-14		16	25	27
4B-10	G5/8"-14		16	25	30
4B-12	G3/4"-14		18	28.5	32
4B-16	G1"-11		19	30.5	41
4B-20	G1.1/4"-11		20	32	50
4B-24	G1.1/2"-11		22	34.5	55
4B-32	G2"-11		27	42	70

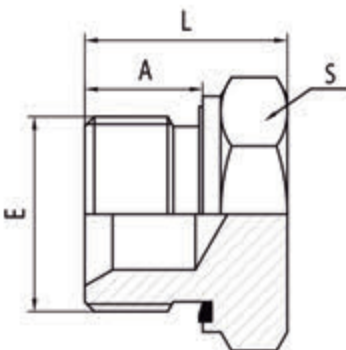
4BN-WD



BSP MALE CAPTIVE SEAL HOLLOW HEX PLUG

Part No.	Thread		Dimensions		
	E		A	L	S
4BN-02WD	G1/8"-28		8	12.3	5
4BN-04WD	G1/4"-19		12	17.3	6
4BN-06WD	G3/8"-19		12	17.3	8
4BN-08WD	G1/2"-14		14	19.3	10
4BN-12WD	G3/4"-14		16	21.3	12
4BN-16WD	G1"-11		18	22.8	17
4BN-20WD	G1.1/4"-11		20	26.8	22
4BN-24WD	G1.1/2"-11		20	26.8	24

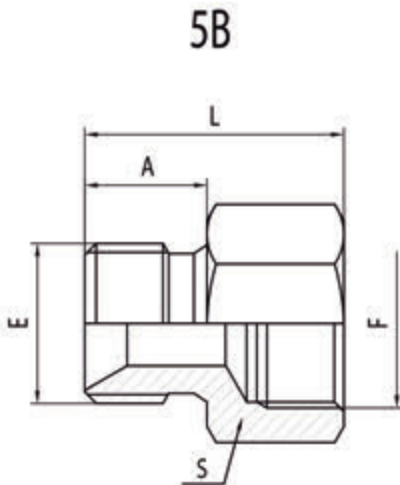
4B-WD



BSP MALE CAPTIVE SEAL PLUG

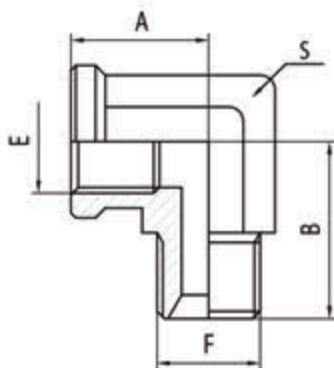
Part No.	Thread		Dimensions		
	E		A	L	S
4B-02WD	G1/8"-28		8	14.5	17
4B-04WD	G1/4"-19		12	18	19
4B-06WD	G3/8"-19		12	20.5	22
4B-08WD	G1/2"-14		14	23	27
4B-12WD	G3/4"-14		16	26	32
4B-16WD	G1"-11		18	30	41
4B-20WD	G1.1/4"-11		20	32	50
4B-24WD	G1.1/2"-11		20	36	55

BSP MALE DOUBLE USE FOR 60°SEAT OR BONDED SEAL/BSP FEMALE



Part No.	Thread		Dimensions		
	E	F	A	L	S
5B-02-04	G1/8"-28	G1/4"-19	9	27	19
5B-04-02	G1/4"-19	G1/8"-28	12	30	19
5B-04	G1/4"-19	G1/4"-19	12	30	19
5B-04-08	G1/4"-19	G1/2"-14	12	36	27
5B-06-04	G3/8"-19	G1/4"-19	13.5	30	22
5B-06	G3/8"-19	G3/8"-19	13.5	32	22
5B-08-04	G1/2"-14	G1/4"-19	16	33	27
5B-08-06	G1/2"-14	G3/8"-19	16	36	27
5B-08	G1/2"-14	G1/2"-14	16	36	27
5B-08-12	G1/2"-14	G3/4"-14	16	40	32
5B-12-08	G3/4"-14	G1/2"-14	18	40	32
5B-12	G3/4"-14	G3/4"-14	18	43	32
5B-16-12	G1"-11	G3/4"-14	19	43	41
5B-16	G1"-11	G1"-11	19	49	41
5B-20-16	G1.1/4"-11	G1"-11	20	50	50
5B-20	G1.1/4"-11	G1.1/4"-11	20	52	50
5B-20-24	G1.1/4"-11	G1.1/2"-11	20	55	55
5B-24	G1.1/2"-11	G1.1/2"-11	22	57	55
5B-32-24	G2"-11	G1.1/2"-11	25.5	60	70
5B-32	G2"-11	G2"-11	25.5	63	70

5B9



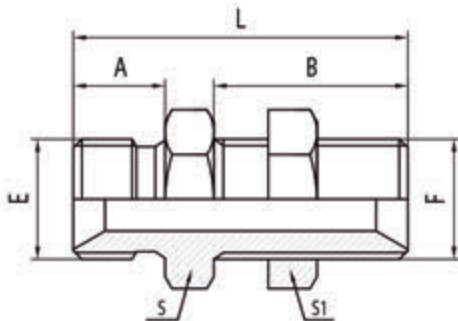
90°BSP MALE 60°SEAT/BSP FEMALE

Part No.	Thread		Dimensions		
	E	F	A	B	S
5B9-02	G1/8"-28	G1/8"-28	17	23	14
5B9-04	G1/4"-19	G1/4"-19	22	28	19
5B9-06	G3/8"-19	G3/8"-19	25	30	22
5B9-08	G1/2"-14	G1/2"-14	28	36	27
5B9-12	G3/4"-14	G3/4"-14	33	41	33
5B9-16	G1"-11	G1"-11	39	50	41



BSP MALE 60°SEAT BULKHEAD

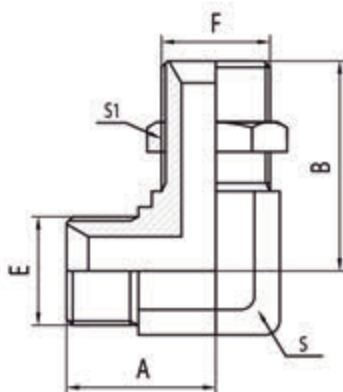
6B-LN



Part No.	Thread		Dimensions				
	E	F	A	B	L	S	S1
6B-02 LN	G1/8"-28	G1/8"-28	9	33	48	14	14
6B-04 LN	G1/4"-19	G1/4"-19	12	28	47	19	19
6B-06 LN	G3/8"-19	G3/8"-19	13.5	32	53	22	22
6B-08 LN	G1/2"-14	G1/2"-14	16	35	59.5	27	27
6B-12 LN	G3/4"-14	G3/4"-14	16	38	64.5	32	32
6B-16 LN	G1"-11	G1"-11	19	41	75	41	41
6B-20 LN	G1.1/4"-11	G1.1/4"-11	20	52	89.5	50	50
6B-24 LN	G1.1/2"-11	G1.1/2"-11	22	55	95	55	55
6B-32 LN	G2"-11	G2"-11	25.5	55	98.5	70	70

Please delete "LN" after the part number if don't need with lock nut, for example 6B-06.

6B9-LN

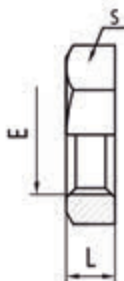


90°BSP MALE 60°SEAT BULKHEAD

Part No.	Thread		Dimensions			
	E	F	A	B	S	S1
6B9-04 LN	G1/4"-19	G1/4"-19	25	51	14	19
6B9-06 LN	G3/8"-19	G3/8"-19	29	53.5	17	22
6B9-08 LN	G1/2"-14	G1/2"-14	35	58.5	22	27
6B9-12 LN	G3/4"-14	G3/4"-14	41	64	27	32
6B9-16 LN	G1"-11	G1"-11	46	71	33	41

Please delete "LN" after the part number if don't need with lock nut, for example 6B9-06.

8B

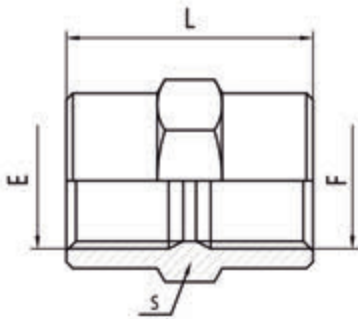


BSP LOCK NUT

Part No.	Thread		Dimensions		
	E		L	S	
8B-02	G1/8"-28		5.5	14	
8B-04	G1/4"-19		6.5	19	
8B-06	G3/8"-19		7	22	
8B-08	G1/2"-14		9	27	
8B-12	G3/4"-14		10.5	32	
8B-16	G1"-11		10.5	41	
8B-20	G1.1/4"-11		10.5	50	
8B-24	G1.1/2"-11		10.5	55	
8B-32	G2"-11		10.5	70	

BSP FEMALE

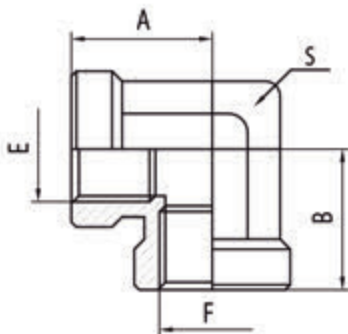
7B



Part No.	Thread		Dimensions			
	E	F	L	S		
7B-02	G1/8"-28	G1/8"-28	22	14		
7B-04	G1/4"-19	G1/4"-19	24	19		
7B-06	G3/8"-19	G3/8"-19	30	22		
7B-08	G1/2"-14	G1/2"-14	32	27		
7B-12	G3/4"-14	G3/4"-14	42	36		
7B-16	G1"-11	G1"-11	50	41		
7B-20	G1.1/4"-11	G1.1/4"-11	55	50		
7B-24	G1.1/2"-11	G1.1/2"-11	55	55		
7B-32	G2"-11	G2"-11	60	70		

90°BSP FEMALE

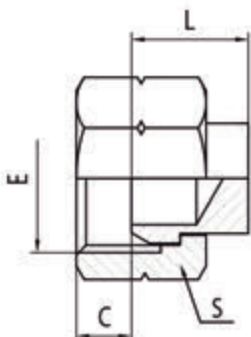
7B9



Part No.	Thread		Dimensions			
	E	F	A	B	S	
7B9-02	G1/8"-28	G1/8"-28	17	17	14	
7B9-04	G1/4"-19	G1/4"-19	21	21	17	
7B9-06	G3/8"-19	G3/8"-19	24.5	24.5	22	
7B9-08	G1/2"-14	G1/2"-14	28.5	28.5	26	
7B9-12	G3/4"-14	G3/4"-14	33	33	34	
7B9-16	G1"-11	G1"-11	39	39	41	
7B9-20	G1.1/4"-11	G1.1/4"-11	46	46	54	
7B9-24	G1.1/2"-11	G1.1/2"-11	48	48	54	
7B9-32	G2"-11	G2"-11	61	61	68	

BSP FEMALE 60° CONE PULG

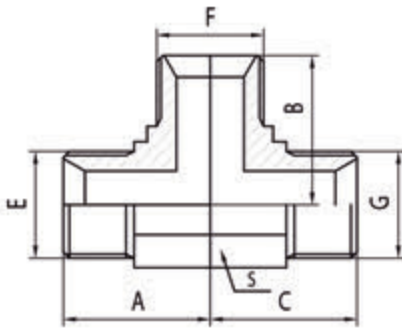
9B



Part No.	Thread		Dimensions			
	E		C	L	S	
9B-04	G1/4"-19		5.5	15	17	
9B-06	G3/8"-19		7	16.5	22	
9B-08	G1/2"-14		7	17.5	27	
9B-10	G5/8"-14		8.5	18	27	
9B-12	G3/4"-14		9	20	32	
9B-16	G1"-11		11	23	38	
9B-20	G1.1/4"-11		11	26	50	
9B-24	G1.1/2"-11		12	30	55	



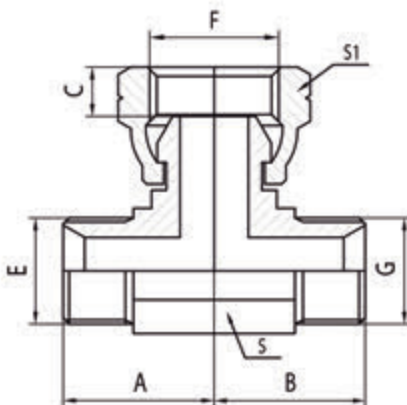
AB



BSP MALE 60°SEAT TEE

Part No.	Thread		Dimensions			
	EF	G	A	B	C	S
AB-02	G1/8"-28	G1/8"-28	20	20	20	11
AB-04	G1/4"-19	G1/4"-19	25	25	25	14
AB-06	G3/8"-19	G3/8"-19	29	29	29	17
AB-08	G1/2"-14	G1/2"-14	35	35	35	22
AB-12	G3/4"-14	G3/4"-14	41	41	41	27
AB-16	G1"-11	G1"-11	46	46	46	33
AB-20	G1.1/4"-11	G1.1/4"-11	54	54	54	41
AB-24	G1.1/2"-11	G1.1/2"-11	58	58	58	48
AB-32	G2"-11	G2"-11	69	69	69	65

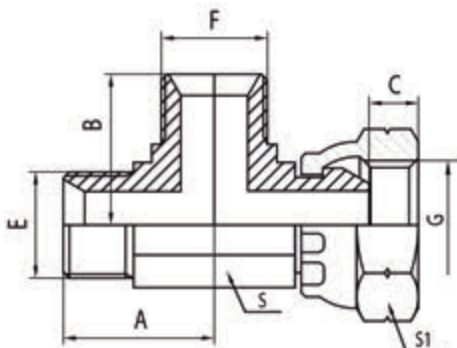
BB



BSP MALE 60°SEAT /FEMALE SWIVEL 60°CONE BRANCH TEE

Part No.	Thread		Dimensions			
	EF	G	AB	C	S	S1
BB-02-02-02	G1/8"-28	G1/8"-28	20	5.5	11	14
BB-04-04-04	G1/4"-19	G1/4"-19	25	5.5	14	19
BB-06-06-06	G3/8"-19	G3/8"-19	29	6.5	17	22
BB-08-08-08	G1/2"-14	G1/2"-14	35	8	22	27
BB-12-12-12	G3/4"-14	G3/4"-14	41	11.5	27	32
BB-16-16-16	G1"-11	G1"-11	46	11.5	33	41
BB-20-20-20	G1.1/4"-11	G1.1/4"-11	54	12	41	50
BB-24-24-24	G1.1/2"-11	G1.1/2"-11	58	13	48	55
BB-32-32-32	G2"-11	G2"-11	69	16	65	70

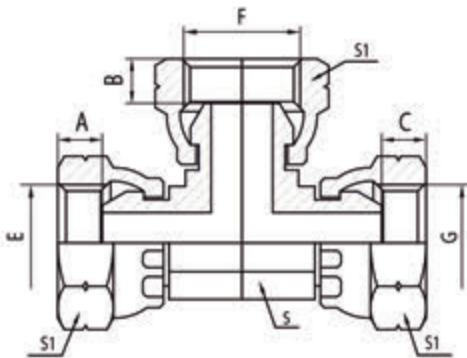
CB



BSP MALE 60°SEAT /FEMALE SWIVEL 60°CONE RUN TEE

Part No.	Thread		Dimensions			
	EF	G	AB	C	S	S1
CB-02-02-02	G1/8"-28	G1/8"-28	20	5.5	11	14
CB-04-04-04	G1/4"-19	G1/4"-19	25	5.5	14	19
CB-06-06-06	G3/8"-19	G3/8"-19	29	6.5	17	22
CB-08-08-08	G1/2"-14	G1/2"-14	35	8	22	27
CB-12-12-12	G3/4"-14	G3/4"-14	41	11.5	27	32
CB-16-16-16	G1"-11	G1"-11	46	11.5	33	41
CB-20-20-20	G1.1/4"-11	G1.1/4"-11	54	12	41	50
CB-24-24-24	G1.1/2"-11	G1.1/2"-11	58	13	48	55
CB-32-32-32	G2"-11	G2"-11	69	16	65	70

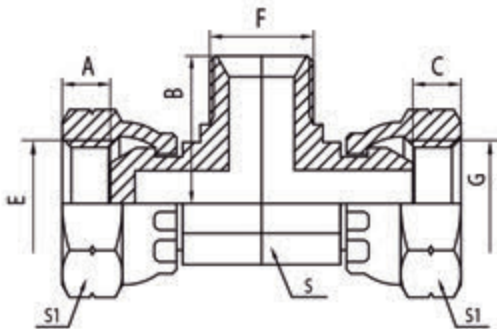
DB



BSP FEMALE SWIVEL 60° CONE TEE

Part No.	Thread		Dimensions			
	EF	G	A B	C	S	S1
DB-02-02-02	G1/8"-28	G1/8"-28	5.5	5.5	11	14
DB-04-04-04	G1/4"-19	G1/4"-19	5.5	5.5	11	19
DB-06-06-06	G3/8"-19	G3/8"-19	6.5	6.5	14	22
DB-08-08-08	G1/2"-14	G1/2"-14	8	8	19	27
DB-12-12-12	G3/4"-14	G3/4"-14	11.5	11.5	24	32
DB-16-16-16	G1"-11	G1"-11	11.5	11.5	27	41
DB-20-20-20	G1.1/4"-11	G1.1/4"-11	12	12	41	50
DB-24-24-24	G1.1/2"-11	G1.1/2"-11	13	13	48	55
DB-32-32-32	G2"-11	G2"-11	16	16	65	70

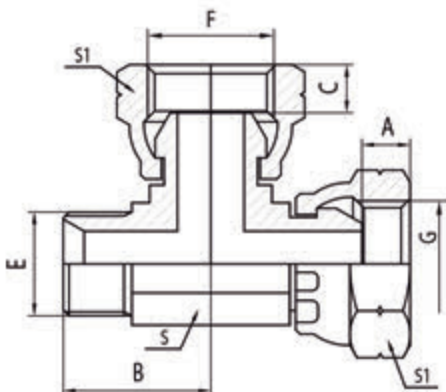
EB



FEMALE SWIVEL 60° CONE/BSP MALE 60° SEAT / FEMALE SWIVEL 60° CONE TEE

Part No.	Thread		Dimensions			
	E F	G	A C	B	S	S1
EB-02-02-02	G1/8"-28	G1/8"-28	5.5	20	11	14
EB-04-04-04	G1/4"-19	G1/4"-19	5.5	25	14	19
EB-06-06-06	G3/8"-19	G3/8"-19	6.5	29	17	22
EB-08-08-08	G1/2"-14	G1/2"-14	8	35	22	27
EB-12-12-12	G3/4"-14	G3/4"-14	11.5	41	27	32
EB-16-16-16	G1"-11	G1"-11	11.5	46	33	41
EB-20-20-20	G1.1/4"-11	G1.1/4"-11	12	54	41	50
EB-24-24-24	G1.1/2"-11	G1.1/2"-11	13	58	48	55
EB-32-32-32	G2"-11	G2"-11	16	69	65	70

FB

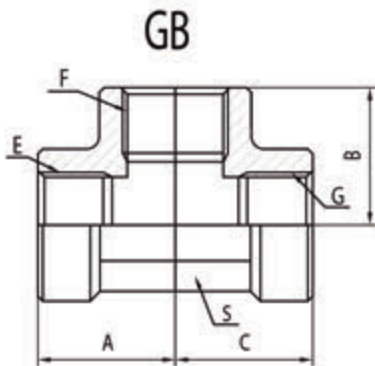


BSP MALE 60° SEAT / FEMALE SWIVEL 60° CONE / FEMALE SWIVEL 60° CONE TEE

Part No.	Thread		Dimensions			
	E	F G	A C	B	S	S1 S2
FB-02	G1/8"-28	G1/8"-28	5.5	20	11	14
FB-04	G1/4"-19	G1/4"-19	5.5	25	14	19
FB-06	G3/8"-19	G3/8"-19	6.5	29	17	22
FB-08	G1/2"-14	G1/2"-14	8	35	22	27
FB-12	G3/4"-14	G3/4"-14	11.5	41	27	32
FB-16	G1"-11	G1"-11	11.5	46	33	41
FB-20	G1.1/4"-11	G1.1/4"-11	12	54	41	50
FB-24	G1.1/2"-11	G1.1/2"-11	13	58	48	55
FB-32	G2"-11	G2"-11	16	69	65	70

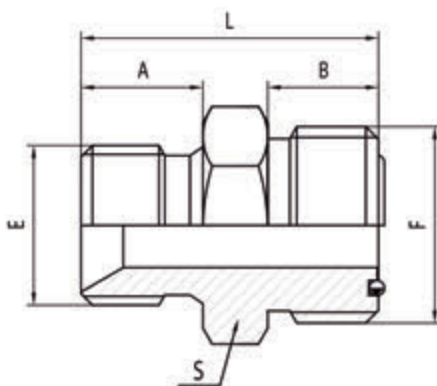


BSP FEMALE TEE



Part No.	Thread		Dimensions			
	E,F	G	A	B	C	S
GB-02	G1/8"-28	G1/8"-28	17	17	17	14
GB-04	G1/4"-19	G1/4"-19	21	21	21	17
GB-06	G3/8"-19	G3/8"-19	25	25	25	22
GB-08	G1/2"-14	G1/2"-14	29	29	29	26
GB-12	G3/4"-14	G3/4"-14	33.5	33.5	33.5	34
GB-16	G1"-11	G1"-11	40	40	40	41
GB-20	G1.1/4"-11	G1.1/4"-11	52.5	52.5	52.5	54
GB-24	G1.1/2"-11	G1.1/2"-11	50	50	50	56
GB-32	G2"-11	G2"-11	61	61	61	68

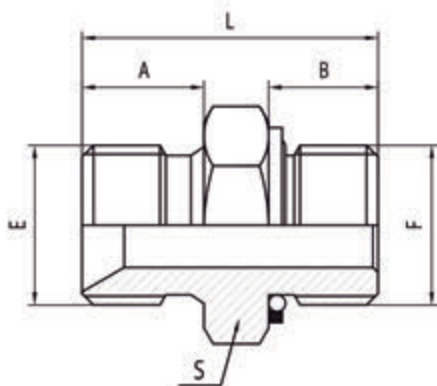
1BF



BSP MALE DOUBLE USE FOR 60°SEAT OR BONDED SEAL/ORFS MALE O-RING

Part No.	Thread		Dimensions			
	E	F	A	B	L	S
1BF-04	G1/4"-19	U9/16"-18	12	14	32	19
1BF-06	G3/8"-19	U11/16"-16	13.5	14	35	22
1BF-08	G1/2"-14	U13/16"-16	16	15	39	27
1BF-12	G3/4"-14	U1.3/16"-12	18	17.5	46	32
1BF-16	G1"-11	U1.7/16"-12	19	18.5	49	41
1BF-20	G1.1/4"-11	U1.11/16"-12	20	19.5	52	50

1BG



BSP MALE DOUBLE USE FOR 60°SEAT OR BONDED SEAL /MALE O-RING

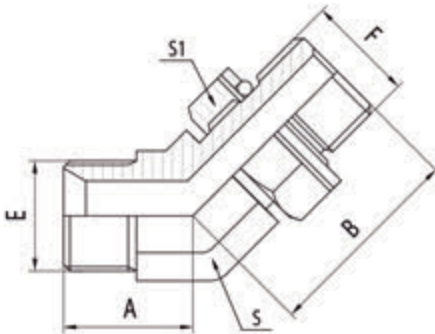
Part No.	Thread		Dimensions			
	E	F	A	B	L	S
1BG-02-02	G1/8"-28	G1/8"-28	9	8	23	14
1BG-04-04	G1/4"-19	G1/4"-19	12	12	30	19
1BG-06-06	G3/8"-19	G3/8"-19	13.5	12	33	22
1BG-08-08	G1/2"-14	G1/2"-14	16	14	38.5	27
1BG-12-12	G3/4"-14	G3/4"-14	18	16	44.5	32
1BG-16-16	G1"-11	G1"-11	19	18	48.5	41
1BG-20-20	G1.1/4"-11	G1.1/4"-11	20	20	52	50
1BG-24-24	G1.1/2"-11	G1.1/2"-11	22	22	56.5	55

Please add "TO" after the part number if there is nowasher out of the O-ring on the product, for example 1BG-06-06TO

C. BSP ADAPTERS



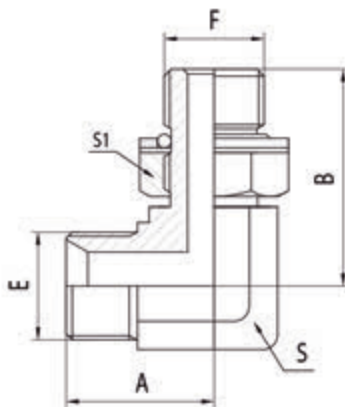
1BG4-OG



45°BSP MALE 60°SEAT/MALE ADJUSTABLE STUD END

Part No.	Thread		Dimensions			
	E	F	A	B	S	S1
1BG4-04-04 OG	G1/4"-19	G1/4"-19	20	28	14	19
1BG4-06-06 OG	G3/8"-19	G3/8"-19	23	32	19	22
1BG4-08-08 OG	G1/2"-14	G1/2"-14	27	37	22	27
1BG4-12-12 OG	G3/4"-14	G3/4"-14	32	42	27	32
1BG4-16-16 OG	G1"-11	G1"-11	35	45	33	41
1BG4-20-20 OG	G1.1/4"-11	G1.1/4"-11	39.5	47	41	50
1BG4-24-24 OG	G1.1/2"-11	G1.1/2"-11	44.5	52	48	55

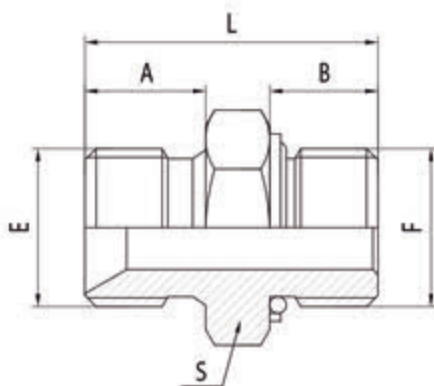
1BG9-OG



90°BSP MALE 60°SEAT/MALE ADJUSTABLE STUD END

Part No.	Thread		Dimensions			
	E	F	A	B	S	S1
1BG9-04-04 OG	G1/4"-19	G1/4"-19	26	32	14	19
1BG9-04-06 OG	G1/4"-19	G3/8"-19	27	35	19	22
1BG9-04-08 OG	G1/4"-19	G1/2"-14	12	12	22	27
1BG9-06-06 OG	G3/8"-19	G3/8"-19	30	44	22	22
1BG9-06-08 OG	G3/8"-19	G1/2"-14	32	44	22	27
1BG9-08-08 OG	G1/2"-14	G1/2"-14	34	44	22	27
1BG9-12-12 OG	G3/4"-14	G3/4"-14	41	50	27	32
1BG9-12-16 OG	G3/4"-14	G1"-11	45	55.5	33	41
1BG9-16-12 OG	G1"-11	G3/4"-14	45	53	33	32
1BG9-16-16 OG	G1"-11	G1"-11	46	55.5	33	41
1BG9-20-20 OG	G1.1/4"-11	G1.1/4"-11	51.5	57	41	50

1BH



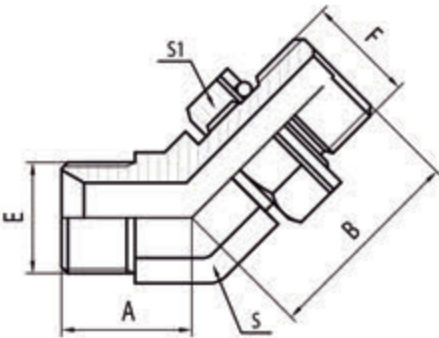
BSP MALE 60°SEAT OR BONDED SEAL/METRIC MALE O-RING SEAL

Part No.	Thread		Dimensions			
	E	F	A	B	L	S
1BH-04-12	G1/4"-19	M12X1.5	12	12	30	19
1BH-04-14	G1/4"-19	M14X1.5	12	12	30	19
1BH-06-16	G3/8"-19	M16X1.5	13.5	12	33	22
1BH-06-18	G3/8"-19	M18X1.5	13.5	12	33	24
1BH-08-18	G1/2"-14	M18X1.5	16	12	36	27
1BH-08-22	G1/2"-14	M22X1.5	16	15	39	27
1BH-10-22	G5/8"-11	M22X1.5	16	15	39	30
1BH-12-27	G3/4"-14	M27X2	18	16	44.5	32
1BH-16-33	G1"-11	M33X2	19	18	48.5	41
1BH-20-42	G1.1/4"-11	M42X2	20	20	52	50
1BH-24-48	G1.1/2"-11	M48X2	22	22	56.5	55

Please add "TO" after the part number if there is no washer out of the O-ring on the product, for example 1BH-08-18 TO, 1BG9-08-08 OG/TO



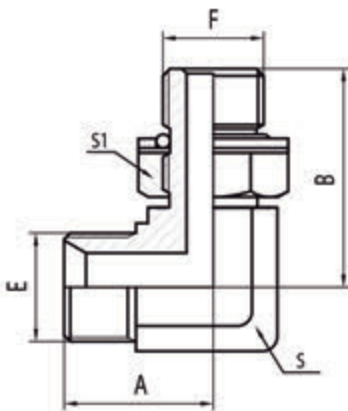
1BH4-OG



45°BSP MALE 60°CONE/METRIC MALE ADJUSTABLE STUD END

Part No.	Thread		Dimensions			
	E	F	A	B	S	S1
1BH4-04-14 OG	G1/4"-19	M14X1.5	20	29	14	19
1BH4-04-16 OG	G1/4"-19	M16X1.5	20	27	14	22
1BH4-06-16 OG	G3/8"-19	M16X1.5	21	27	14	22
1BH4-06-18 OG	G3/8"-19	M18X1.5	23	32	19	24
1BH4-08-18 OG	G1/2"-14	M18X1.5	26	32	19	24
1BH4-08-22 OG	G1/2"-14	M22X1.5	27	32	22	27
1BH4-12-27 OG	G3/4"-14	M27X2	32	42	27	32
1BH4-16-33 OG	G1"-11	M33X2	35	42	33	41
1BH4-20-42 OG	G1.1/4"-11	M42X2	39.5	47	41	50

1BH9-OG

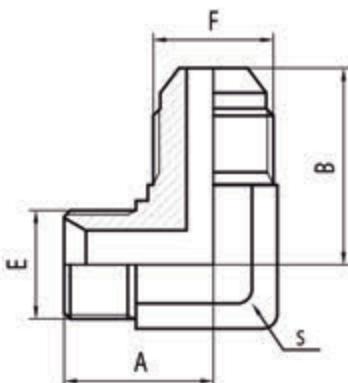


90°BSP MALE 60°CONE/METRIC MALE ADJUSTABLE STUD

Part No.	Thread		Dimensions			
	E	F	A	B	S	S1
1BH9-04-14 OG	G1/4"-19	M14X1.5	24	33	14	19
1BH9-04-16 OG	G1/4"-19	M16X1.5	24	31	14	22
1BH9-06-16 OG	G3/8"-19	M16X1.5	29	35	19	22
1BH9-06-18 OG	G3/8"-19	M18X1.5	30	37	19	24
1BH9-08-18 OG	G1/2"-14	M18X1.5	34	39.5	22	24
1BH9-08-22 OG	G1/2"-14	M22X1.5	34	40.5	22	27
1BH9-12-27 OG	G3/4"-14	M27X2	39.5	50	27	32
1BH9-16-33 OG	G1"-11	M33X2	45	53	33	41
1BH9-20-42 OG	G1.1/4"-11	M42X2	51.5	57	41	50

Please add "TO" after the part number if there is nowasher out of the O-ring on the product, for example 1BH9-04-16 OG/TO

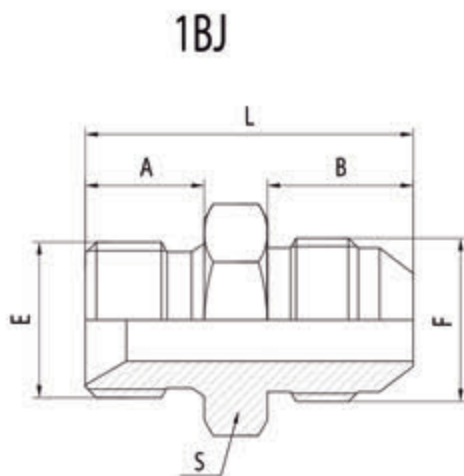
1BJ9



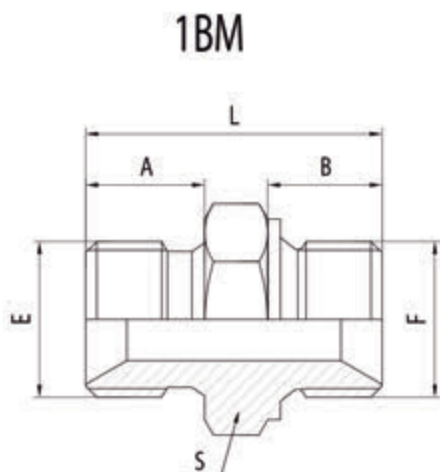
90°BSP MALE 60°CONE/JIC MALE 74°CONE

Part No.	Thread		Dimensions			
	E	F	A	B	S	
1BJ9-04	G1/4"-19	U7/16"-20	25	25	14	
1BJ9-04-05	G1/4"-19	U1/2"-20	25	25	14	
1BJ9-04-06	G1/4"-19	U9/16"-18	25	25	14	
1BJ9-06	G3/8"-19	U9/16"-18	29	29	17	
1BJ9-06-08	G3/8"-19	U3/4"-16	28.5	32	19	
1BJ9-08	G1/2"-14	U3/4"-16	34.5	34.5	22	
1BJ9-12	G3/4"-14	U1.1/16"-12	41	44	27	
1BJ9-16	G1"-11	U1.5/16"-12	46	47	33	
1BJ9-20	G1.1/4"-11	U1.5/8"-12	54	57	41	
1BJ9-24	G1.1/2"-11	U1.7/8"-12	56	59	48	

BSP MALE DOUBLE USE FOR 60°SEAT OR BONDED SEAL/JIC MALE 74°CONE



Part No.	Thread		Dimensions			
	E	F	A	B	L	S
1BJ-02-04	G1/8"-28	U7/16"-20	9	14	29	14
1BJ-04	G1/4"-19	U7/16"-20	12	14	32	14
1BJ-04-05	G1/4"-19	U1/2"-20	12	14	32	19
1BJ-04-06	G1/4"-19	U9/16"-18	12	14.1	32	19
1BJ-06	G3/8"-19	U9/16"-18	13.5	14.1	35	22
1BJ-06-04	G3/8"-19	U7/16"-20	13.5	14	35	22
1BJ-06-08	G3/8"-19	U3/4"-16	13.5	16.7	37	22
1BJ-08	G1/2"-14	U3/4"-16	16	16.7	41	27
1BJ-08-10	G1/2"-14	U7/8"-14	16	19.3	43.5	24
1BJ-10	G5/8"-14	U7/8"-14	16	19.3	44.5	30
1BJ-10-08	G5/8"-14	U3/4"-16	16	16.7	42	30
1BJ-10-12	G5/8"-14	U1.1/16"-12	16	21.9	47	30
1BJ-12	G3/4"-14	U1.1/16"-12	18	21.9	50.5	32
1BJ-12-08	G3/4"-14	U3/4"-16	18	16.7	45	32
1BJ-12-10	G3/4"-14	U7/8"-14	18	19.3	47.5	32
1BJ-12-14	G3/4"-14	U1.3/16"-12	18	22.6	51	36
1BJ-12-16	G3/4"-14	U1.5/16"-12	18	23.1	52	36
1BJ-16	G1"-11	U1.5/16"-12	19	23.1	54	41
1BJ-16-12	G1"-11	U1.1/16"-12	19	21.9	52	41
1BJ-16-14	G1"-11	U1.3/16"-12	19	22.6	53	41
1BJ-16-20	G1"-11	U1.5/8"-12	19	24.3	55.5	46
1BJ-20	G1.1/4"-11	U1.5/8"-12	20	24.3	56.5	50
1BJ-20-16	G1.1/4"-11	U1.5/16"-12	20	23.1	55.5	50
1BJ-20-24	G1.1/4"-11	U1.7/8"-12	20	27.5	60	50
1BJ-24-20	G1.1/2"-11	U1.5/8"-12	22	24.3	59	55
1BJ-24	G1.1/2"-11	U1.7/8"-12	22	27.5	62	55
1BJ-24-32	G1.1/2"-11	U2.1/2"-12	22	33.9	72.5	70
1BJ-32	G2"-11	U2.1/2"-12	25.5	33.9	76	70
1BJ-32-24	G2"-11	U1.7/8"-12	25.5	27.5	69.5	70



BSP MALE 60°SEAT OR BONDED SEAL/METRIC MALE BONDED SEAL

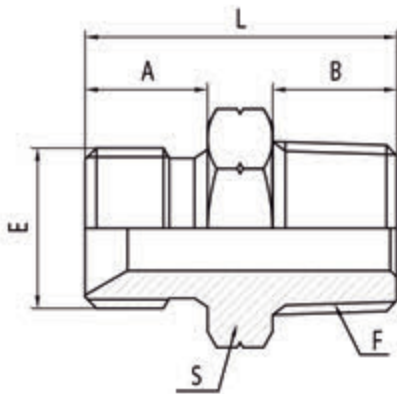
Part No.	Thread		Dimensions			
	E	F	A	B	L	S
1BM-02-10	G1/8"-28	M10X1	9	8	24.5	14
1BM-04-12	G1/8"-28	M12X1.5	12	10	29.5	19
1BM-04-14	G1/4"-19	M14X1.5	12	11	30.5	19
1BM-06-16	G3/8"-19	M16X1.5	13.5	12	34.5	22
1BM-06-18	G3/8"-19	M18X1.5	13.5	12	35.5	24
1BM-08-20	G1/2"-14	M20X1.5	16	14	40	27
1BM-08-22	G1/2"-14	M22X1.5	16	14	40	27
1BM-10-26	G5/8"-14	M26X1.5	16	16	43	30
1BM-12-24	G3/4"-14	M24X1.5	18	16	46	32
1BM-12-27	G3/4"-14	M27X2	18	16	46	32



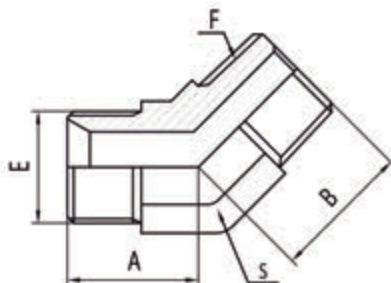
BSP MALE 60° CONE OR BONDED SEAL/NPT MALE

Part No.	Thread		Dimensions			
	E	F	A	B	L	S
1BN-02	G1/8"-28	Z1/8"-27	9	10	25	14
1BN-02-04	G1/8"-28	Z1/4"-18	9	14.5	30.5	14
1BN-04	G1/4"-19	Z1/4"-18	12	14.5	33.5	19
1BN-04-02	G1/4"-19	Z1/8"-27	12	10	28	19
1BN-04-06	G1/4"-19	Z3/8"-18	12	14.5	32.5	19
1BN-06	G3/8"-19	Z3/8"-18	13.5	14.5	35.5	22
1BN-06-04	G3/8"-19	Z1/4"-18	13.5	14.5	35.5	22
1BN-06-08	G3/8"-19	Z1/2"-14	13.5	19.5	40.5	22
1BN-08	G1/2"-14	Z1/2"-14	16	19.5	44	27
1BN-08-06	G1/2"-14	Z3/8"-18	16	14.5	39	27
1BN-08-12	G1/2"-14	Z3/4"-14	16	19.5	44	27
1BN-10-08	G5/8"-14	Z1/2"-14	16	19.5	44.5	30
1BN-10-12	G5/8"-14	Z3/4"-14	16	19.5	44.5	30
1BN-12	G3/4"-14	Z3/4"-14	18	19.5	48	32
1BN-12-08	G3/4"-14	Z1/2"-14	18	19.5	48	32
1BN-12-16	G3/4"-14	Z1"-11.5	18	24.5	53	36
1BN-16	G1"-11	Z1"-11.5	19	24.5	56	41
1BN-16-12	G1"-11	Z3/4"-14	19	19.5	51	41
1BN-16-20	G1"-11	Z1.1/4"-11.5	19	25	57	46
1BN-20	G1.1/4"-11	Z1.1/4"-11.5	20	25	60	50
1BN-20-16	G1.1/4"-11	Z1"-11.5	20	24.5	59.5	50
1BN-20-24	G1.1/4"-11	Z1.1/2"-11.5	20	26	60	50
1BN-24	G1.1/2"-11	Z1.1/2"-11.5	22	26	64	55
1BN-24-20	G1.1/2"-11	Z1.1/4"-11.5	22	25	63	55
1BN-24-32	G1.1/2"-11	Z2"-11.5	22	29	66	65
1BN-32	G2"-11	Z2"-11.5	25.5	29	71	70
1BN-32-20	G2"-11	Z1.1/4"-11.5	25.5	25	67	70
1BN-32-24	G2"-11	Z1.1/2"-11.5	25.5	26	68	70

1BN



1BN4



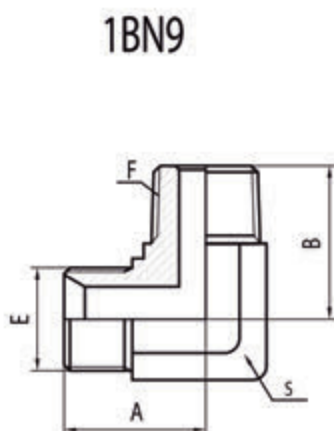
45° BSP MALE 60° CONE OR BONDED SEAL/NPT MALE

Part No.	Thread		Dimensions		
	E	F	A	B	S
1BN4-04	G1/4"-19	Z1/4"-18	20	21	14
1BN4-06	G3/8"-19	Z3/8"-18	23	22	17
1BN4-08	G1/2"-14	Z1/2"-14	27	27	22
1BN4-12	G3/4"-14	Z3/4"-14	31	31	27
1BN4-16	G1"-11	Z1"-11.5	36	38	33
1BN4-20	G1.1/4"-11	Z1.1/4"-11.5	40	42	44
1BN4-24	G1.1/2"-11	Z1.1/2"-11.5	45	47	48

C. BSP ADAPTERS

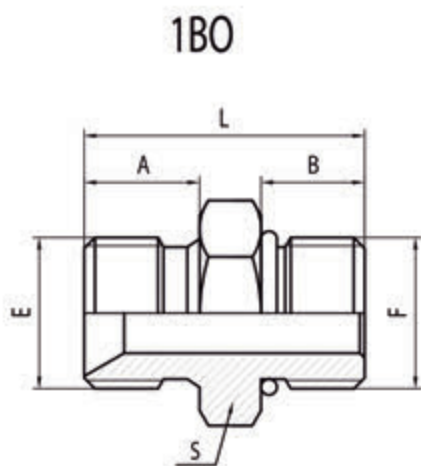


90°BSP MALE 60°CONE OR BONDED SEAL/NPT MALE



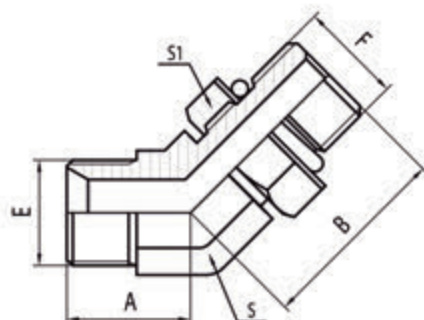
Part No.	Thread		Dimensions			
	E	F	A	B	S	
1BN9-04	G1/4"-19	Z1/4"-18	25	26	14	
1BN9-04-02	G1/4"-19	Z1/8"-27	25	25	14	
1BN9-06	G3/8"-19	Z3/8"-18	30	29	17	
1BN9-06-04	G3/8"-19	Z1/4"-18	30	29	17	
1BN9-06-08	G3/8"-19	Z1/2"-14	32	37	22	
1BN9-08	G1/2"-14	Z1/2"-14	34.5	37	22	
1BN9-08-06	G1/2"-14	Z3/8"-18	34.5	32	22	
1BN9-12	G3/4"-14	Z3/4"-14	41	41	27	
1BN9-12-08	G3/4"-14	Z1/2"-14	41	41	27	
1BN9-12-16	G3/4"-14	Z1"-11.5	44	49	33	
1BN9-16	G1"-11	Z1"-11.5	46	49	33	
1BN9-20	G1.1/4"-11	Z1.1/4"-11.5	54	55.5	44	
1BN9-24	G1.1/2"-11	Z1.1/2"-11.5	56	59	48	
1BN9-32	G2"-11	Z2"-11.5	68	68	65	

BSP MALE 60°SEAT OR BONDED SEAL/SAE MALE O-RING SEAL



Part No.	Thread		Dimensions			
	E	F	A	B	L	S
1BO-04	G1/4"-19	U7/16"-20	12	9.14	28	19
1BO-04-06	G1/4"-19	U9/16"-18	12	9.93	29.5	19
1BO-06-04	G3/8"-19	U7/16"-20	13.5	9.14	30	22
1BO-06	G3/8"-19	U9/16"-18	13.5	9.93	31	22
1BO-06-08	G3/8"-19	U3/4"-16	13.5	11.13	32.5	24
1BO-08-06	G1/2"-14	U9/16"-18	16	9.93	34	27
1BO-08	G1/2"-14	U3/4"-16	16	11.13	35	27
1BO-08-10	G1/2"-14	U7/8"-14	16	12.7	38	27
1BO-12-10	G3/4"-14	U7/8"-14	18	12.7	41	32
1BO-12	G3/4"-14	U1.1/16"-12	18	15.09	43	32
1BO-16	G1"-11	U1.5/16"-12	19	15.09	46	41
1BO-20	G1.1/4"-11	U1.5/8"-12	20	15.09	49	50
1BO-24	G1.1/2"-11	U1.7/8"-12	22	15.09	52.5	55
1BO-32	G2"-11	U2.1/2"-12	25.5	15.09	57.5	70

1BO4-OG

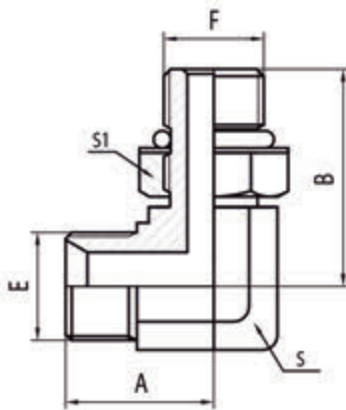


45°BSP MALE 60°SEAT OR BONDED SEAL/ SAE MALE ADJUSTABLE STUD END

Part No.	Thread		Dimensions			
	E	F	A	B	S	S1
1BO4-04-04 OG	G1/4"-19	U7/16"-20	20	26	14	17
1BO4-06-06 OG	G3/8"-19	U9/16"-20	20	26	14	19
1BO4-08-08 OG	G1/2"-14	U3/4"-16	27	31	22	24
1BO4-12-12 OG	G3/4"-14	U1.1/16"-12	32	42	27	32
1BO4-16-16 OG	G1"-11	U1.5/16"-12	35	42	33	41
1BO4-20-20 OG	G1.1/4"-11	U1.5/8"-12	40	49	41	50
1BO4-24-24 OG	G1.1/2"-11	U1.7/8"-12	45	52	48	55



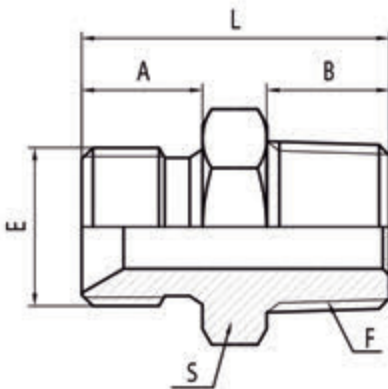
1B09-OG



90°BSP MALE 60°SEAT OR BONDED SEAL/ SAEMALE ADJUSTABLE STUD END

Part No.	Thread		Dimensions			
	E	F	A	B	S	S1
1B09-04-04 OG	G1/4"-19	U7/16"-20	26	29	14	17
1B09-06-06 OG	G3/8"-19	U9/16"-20	26	32	14	19
1B09-08-08 OG	G1/2"-14	U3/4"-16	34	37.5	22	24
1B09-12-12 OG	G3/4"-14	U1.1/16"-12	41	50	27	32
1B09-16-16 OG	G1"-11	U1.5/16"-12	46	55.5	33	41
1B09-20-20 OG	G1.1/4"-11	U1.5/8"-12	39.5	59.5	41	50

1BT

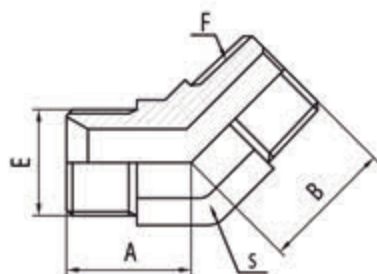


BSP MALE 60°CONE OR BONDED SEAL/BSPT MALE

Part No.	Thread		Dimensions			
	E	F	A	B	L	S
1BT-02	G1/8"-28	ZG1/8"-28	9	10	25	14
1BT-02-04	G1/8"-28	ZG1/4"-19	9	14.5	30.5	14
1BT-04	G1/4"-19	ZG1/4"-19	12	14.5	33.5	19
1BT-04-02	G1/4"-19	ZG1/8"-28	12	10	28	19
1BT-04-06	G1/4"-19	ZG3/8"-19	12	14.5	32.5	19
1BT-04-08	G1/4"-19	ZG1/2"-14	12	19.5	39	22
1BT-06	G3/8"-19	ZG3/8"-19	13.5	14.5	35.5	22
1BT-06-04	G3/8"-19	ZG1/4"-19	13.5	14.5	35.5	22
1BT-06-08	G3/8"-19	ZG1/2"-14	13.5	19.5	40.5	22
1BT-08	G1/2"-14	ZG1/2"-14	16	19.5	44	27
1BT-08-06	G1/2"-14	ZG3/8"-19	16	14.5	39	27
1BT-08-12	G1/2"-14	ZG3/4"-14	16	19.5	44	27
1BT-08-16	G1/2"-14	ZG1"-11	16	24.5	51	36
1BT-10-08	G5/8"-14	ZG1/2"-14	16	19.5	44.5	30
1BT-10-12	G5/8"-14	ZG3/4"-14	16	19.5	44.5	30
1BT-12	G3/4"-14	ZG3/4"-14	18	19.5	48	32
1BT-12-08	G3/4"-14	ZG1/2"-14	18	19.5	48	32
1BT-12-16	G3/4"-14	ZG1"-11	18	24.5	53	36
1BT-16	G1"-11	ZG1"-11	19	24.5	56	41
1BT-16-12	G1"-11	ZG3/4"-14	19	19.5	51	41
1BT-16-20	G1"-11	ZG1.1/4"-11	19	25	57	46
1BT-20	G1.1/4"-11	ZG1.1/4"-11	20	25	60	50
1BT-20-16	G1.1/4"-11	ZG1"-11	20	24.5	59.5	50
1BT-20-24	G1.1/4"-11	ZG1.1/2"-11	20	26	60	50
1BT-24	G1.1/2"-11	ZG1.1/2"-11	22	26	64	55
1BT-24-20	G1.1/2"-11	ZG1.1/4"-11	22	25	63	55
1BT-24-32	G1.1/2"-11	ZG2"-11	22	29	66	65
1BT-32	G2"-11	ZG2"-11	25.5	29	71	70
1BT-32-24	G2"-11	ZG1.1/2"-11	25.5	26	68	70

45°BSP MALE 60°CONE/BSPT MALE

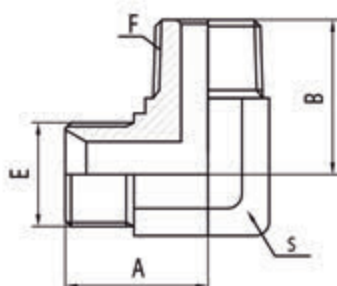
1BT4



Part No.	Thread		Dimensions			
	E	F	A	B	S	
1BT4-04	G1/4"-19	ZG1/4"-19	20	21	14	
1BT4-04-02	G1/4"-19	ZG1/8"-28	20	20	14	
1BT4-06	G3/8"-19	ZG3/8"-19	23	22	17	
1BT4-06-04	G3/8"-19	ZG1/4"-19	23	22	17	
1BT4-06-08	G3/8"-19	ZG1/2"-14	25	27	22	
1BT4-08	G1/2"-14	ZG1/2"-14	27	27	22	
1BT4-08-06	G1/2"-14	ZG3/8"-19	27	24	22	
1BT4-12	G3/4"-14	ZG3/4"-14	31	31	27	
1BT4-16	G1"-11	ZG1"-11	36	38	33	
1BT4-20	G1.1/4"-11	ZG1.1/4"-11	40	42	44	
1BT4-24	G1.1/2"-11	ZG1.1/2"-11	45	47	48	

90°BSP MALE 60°CONE/BSPT MALE

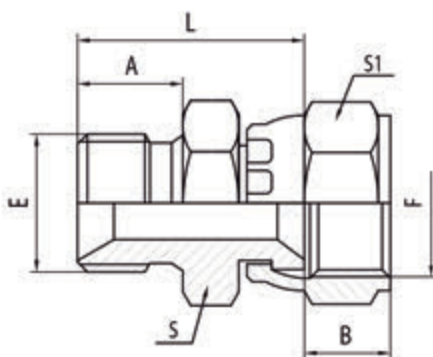
1BT9



Part No.	Thread		Dimensions			
	E	F	A	B	S	
1BT9-04	G1/4"-19	ZG1/4"-19	25	26	14	
1BT9-04-02	G1/4"-19	ZG1/8"-28	25	25	14	
1BT9-06	G3/8"-19	ZG3/8"-19	30	29	17	
1BT9-06-04	G3/8"-19	ZG1/4"-19	30	29	17	
1BT9-06-08	G3/8"-19	ZG1/2"-14	32	37	22	
1BT9-08	G1/2"-14	ZG1/2"-14	34.5	37	22	
1BT9-08-06	G1/2"-14	ZG3/8"-19	34.5	32	22	
1BT9-12	G3/4"-14	ZG3/4"-14	41	41	27	
1BT9-12-08	G3/4"-14	ZG1/2"-14	41	41	27	
1BT9-12-16	G3/4"-14	ZG1"-11	44	49	33	
1BT9-16	G1"-11	ZG1"-11	46	49	33	
1BT9-20	G1.1/4"-11	ZG1.1/4"-11	54	55.5	44	
1BT9-24	G1.1/2"-11	ZG1.1/2"-11	56	59	48	
1BT9-32	G2"-11	ZG2"-11	68	68	65	

BSP MALE 60°SEAT OR BONDED SEAL/JIC FEMALE 74°SEAT

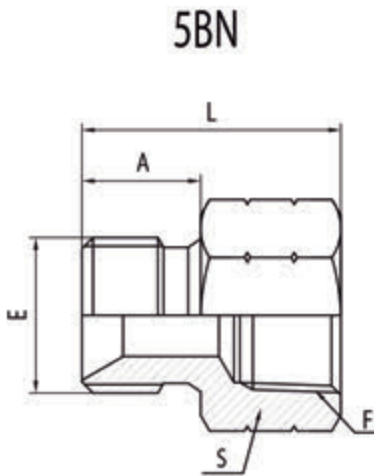
2BJ



Part No.	Thread		Dimensions				
	E	F	A	B	L	S	S1
2BJ-04	G1/4"-19	U7/16"-20	12	8.5	26	19	19
2BJ-06	G3/8"-19	U9/16"-18	13.5	10	30	22	19
2BJ-08	G1/2"-14	U3/4"-16	16	11	34	27	24
2BJ-10	G5/8"-14	U7/8"-14	16	11	36	30	27
2BJ-12	G3/4"-14	U1.1/16"-12	18	13.5	40	32	32
2BJ-16	G1"-11	U1.5/16"-12	19	14.5	44	41	41
2BJ-20	G1.1/4"-11	U1.5/8"-12	20	15.5	47	50	50
2BJ-24	G1.1/2"-11	U1.7/8"-12	22	18.5	49	55	55
2BJ-32	G2"-11	U2.1/2"-12	25.5	24.5	57.5	70	75

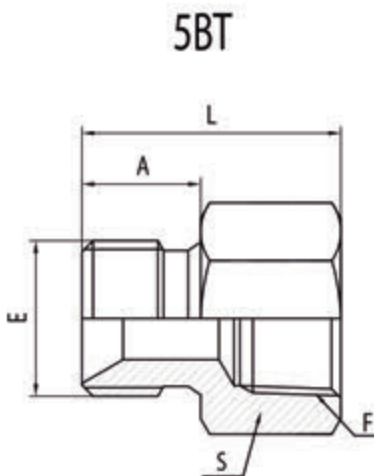


BSP MALE DOUBLE USE FOR 60° CONE OR BONDED SEAL/NPT FEMALE



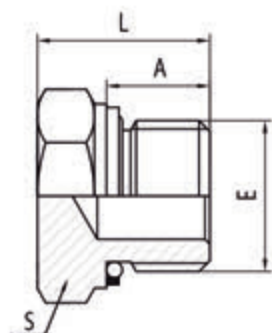
Part No.	Thread		Dimensions		
	E	F	A	L	S
5BN-04-02	G1/4"-19	Z1/8"-27	12	28	19
5BN-04	G1/4"-19	Z1/4"-18	12	28	19
5BN-04-06	G1/4"-19	Z3/8"-18	12	32	22
5BN-06-04	G3/8"-19	Z1/4"-18	13.5	30	22
5BN-06	G3/8"-19	Z3/8"-18	13.5	33.5	22
5BN-08-06	G1/2"-14	Z3/8"-18	16	36	27
5BN-08	G1/2"-14	Z1/2"-14	16	41	27
5BN-12-08	G3/4"-14	Z1/2"-14	18	43	32
5BN-12	G3/4"-14	Z3/4"-14	18	43	32
5BN-16-12	G1"-11	Z3/4"-14	19	44	41
5BN-16	G1"-11	Z1"-11.5	19	44	41
5BN-20	G1.1/4"-11	Z1.1/4"-11.5	20	50	50
5BN-24-20	G1.1/2"-11	Z1.1/4"-11.5	22	52	55
5BN-24	G1.1/2"-11	Z1.1/2"-11.5	22	52	55

BSP MALE DOUBLE USE FOR 60° CONE OR BONDED SEAL/BSPT FEMALE



Part No.	Thread		Dimensions		
	E	F	A	L	S
5BT-04-02	G1/4"-19	ZG1/8"-28	12	28	19
5BT-04	G1/4"-19	ZG1/4"-19	12	28	19
5BT-04-06	G1/4"-19	ZG3/8"-19	12	32	22
5BT-06-04	G3/8"-19	ZG1/4"-19	13.5	30	22
5BT-06	G3/8"-19	ZG3/8"-19	13.5	33.5	22
5BT-08-06	G1/2"-14	ZG3/8"-19	16	36	27
5BT-08	G1/2"-14	ZG1/2"-14	16	41	27
5BT-12-08	G3/4"-14	ZG1/2"-14	18	43	32
5BT-12	G3/4"-14	ZG3/4"-14	18	43	32
5BT-16-12	G1"-11	ZG3/4"-14	19	44	41
5BT-16	G1"-11	ZG1"-11	19	44	41
5BT-20	G1.1/4"-11	ZG1.1/4"-11	20	50	50
5BT-24-20	G1.1/2"-11	ZG1.1/4"-11	22	52	55
5BT-24	G1.1/2"-11	ZG1.1/2"-11	22	52	55

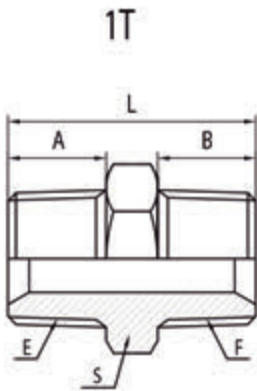
4G



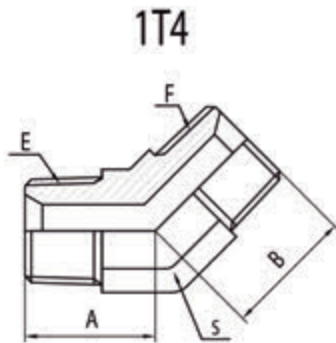
BSP MALE O-RING PLUG

Part No.	Thread		Dimensions		
	E		A	L	S
4G-04	G1/4"-19		12	19.5	19
4G-06	G3/8"-19		12	22	22
4G-08	G1/2"-14		14	24	27
4G-12	G3/4"-14		16	29	32
4G-16	G1"-11		18	33	41

BSPT MALE

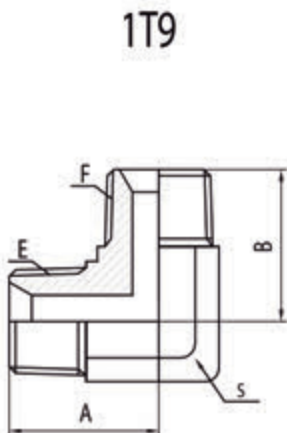


Part No.	Thread		Dimensions			
	E	F	A	B	L	§
1T-02-02	ZG1/8"-28	ZG1/8"-28	10	10	26	12
1T-04-02	ZG1/4"-19	ZG1/8"-28	14.5	10	30	14
1T-04-04	ZG1/4"-19	ZG1/4"-19	14.5	14.5	34	14
1T-06-04	ZG3/8"-19	ZG1/4"-19	14.5	14.5	34	19
1T-06-06	ZG3/8"-19	ZG3/8"-19	14.5	14.5	34	19
1T-08-06	ZG1/2"-14	ZG3/8"-19	19.5	14.5	41.5	22
1T-08-08	ZG1/2"-14	ZG1/2"-14	19.5	19.5	46	22
1T-12-08	ZG3/4"-14	ZG1/2"-14	19.5	19.5	47	27
1T-12-12	ZG3/4"-14	ZG3/4"-14	19.5	19.5	48	27
1T-16-12	ZG1"-11	ZG3/4"-14	24.5	19.5	53	36
1T-16-16	ZG1"-11	ZG1"-11	24.5	24.5	58	36
1T-20-16	ZG1.1/4"-11	ZG1"-11	25	24.5	62	46
1T-20-20	ZG1.1/4"-11	ZG1.1/4"-11	25	25	63	46
1T-24-20	ZG1.1/2"-11	ZG1.1/4"-11	25	25	65	50
1T-24-24	ZG1.1/2"-11	ZG1.1/2"-11	25	25	65	50
1T-32-24	ZG2"-11	ZG1.1/2"-11	29	25	72	70
1T-32-32	ZG2"-11	ZG2"-11	29	29	76	70



45°BSPT MALE

Part No.	Thread		尺寸 Dimensions			
	E	F	A	B	S	
1T4-02-02	ZG1/8"-28	ZG1/8"-28	17.5	17.5	11	
1T4-04-04	ZG1/4"-19	ZG1/4"-19	21	21	14	
1T4-06-06	ZG3/8"-19	ZG3/8"-19	21	21	17	
1T4-08-08	ZG1/2"-14	ZG1/2"-14	28	28	22	
1T4-12-12	ZG3/4"-14	ZG3/4"-14	32	32	27	
1T4-16-16	ZG1"-11	ZG1"-11	37	37	33	
1T4-20-20	ZG1.1/4"-11	ZG1.1/4"-11	42	42	44	
1T4-24-24	ZG1.1/2"-11	ZG1.1/2"-11	47	47	48	
1T4-32-32	ZG2"-11	ZG2"-11	53	53	65	

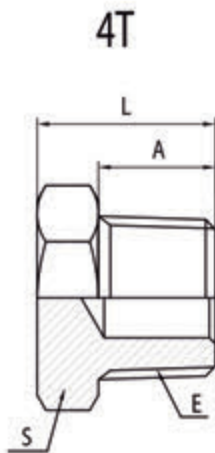


90°BSPT MALE

Part No.	Thread		Dimensions			
	E	F	A	B	S	
1T9-02-02	ZG1/8"-28	ZG1/8"-28	22	22	11	
1T9-04-02	ZG1/4"-19	ZG1/8"-28	27	25	14	
1T9-04-04	ZG1/4"-19	ZG1/4"-19	27	27	14	
1T9-06-06	ZG3/8"-19	ZG3/8"-19	28	28	17	
1T9-08-08	ZG1/2"-14	ZG1/2"-14	35	35	22	
1T9-12-12	ZG3/4"-14	ZG3/4"-14	39	39	27	
1T9-16-16	ZG1"-11	ZG1"-11	47	47	33	
1T9-20-20	ZG1.1/4"-11	ZG1.1/4"-11	55	55	41	
1T9-24-24	ZG1.1/2"-11	ZG1.1/2"-11	59	59	48	
1T9-32-32	ZG2"-11	ZG2"-11	69	69	65	

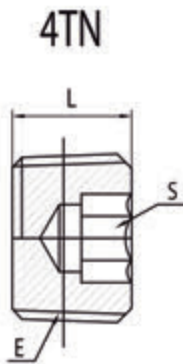


BSPT MALE PLUG



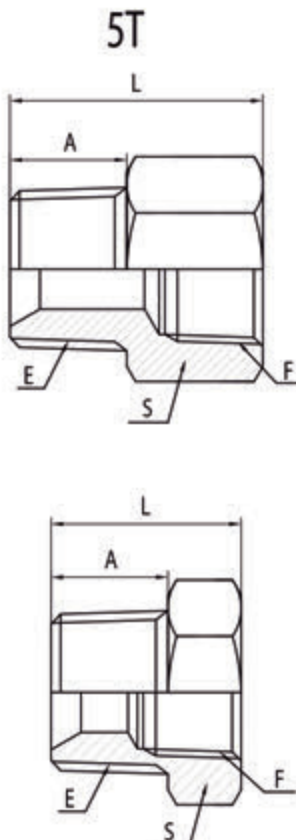
Part No.	Thread		Dimensions			
	E		A	L	S	
4T-02	ZG1/8"-28		10	16	12	
4T-04	ZG1/4"-19		14.5	20	14	
4T-06	ZG3/8"-19		14.5	21	19	
4T-08	ZG1/2"-14		19.5	27	22	
4T-12	ZG3/4"-14		19.5	29	27	
4T-16	ZG1"-11		24.5	36	36	
4T-20	ZG1.1/4"-11		25	38	46	
4T-24	ZG1.1/2"-11		25	40	50	
4T-32	ZG2"-11		29	46	65	

BSPT MALE HOLLOW HEX PLUG



Part No.	Thread		Dimensions			
	E		L	S		
4TN-02	ZG1/8"-28		8	5		
4TN-04	ZG1/4"-19		10	6		
4TN-06	ZG3/8"-19		12	8		
4TN-08	ZG1/2"-14		15	10		
4TN-12	ZG3/4"-14		18	12		
4TN-16	ZG1"-11		20	17		
4TN-20	ZG1.1/4"-11		22	22		

BSPT MALE/BSPT FEMALE



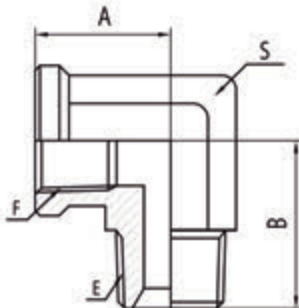
Part No.	Thread		Dimensions			
	E	F	A	L	S	
5T-02-04	ZG1/8"-28	ZG1/4"-19	10	28	19	
5T-04-02	ZG1/4"-19	ZG1/8"-28	14.5	20	17	
5T-04-04	ZG1/4"-19	ZG1/4"-19	14.5	32	19	
5T-06-04	ZG3/8"-19	ZG1/4"-19	14.5	21	19	
5T-06-06	ZG3/8"-19	ZG3/8"-19	14.5	34	22	
5T-06-08	ZG3/8"-19	ZG1/2"-14	14.5	40	27	
5T-08-04	ZG1/2"-14	ZG1/4"-19	19.5	27	24	
5T-08-06	ZG1/2"-14	ZG3/8"-19	19.5	27	24	
5T-08-08	ZG1/2"-14	ZG1/2"-14	19.5	46	27	
5T-12-06	ZG3/4"-14	ZG3/8"-19	19.5	29	27	
5T-12-08	ZG3/4"-14	ZG1/2"-14	19.5	29	27	
5T-12-12	ZG3/4"-14	ZG3/4"-14	19.5	49	36	
5T-16-08	ZG1"-11	ZG1/2"-14	24.5	34	36	
5T-16-12	ZG1"-11	ZG3/4"-14	24.5	34	36	
5T-16-16	ZG1"-11	ZG1"-11	24.5	58	41	
5T-20-16	ZG1.1/4"-11	ZG1"-11	25	38	46	
5T-24-16	ZG1.1/2"-11	ZG1"-11	25	42	50	
5T-24-20	ZG1.1/2"-11	ZG1.1/4"-11	25	42	50	
5T-32-24	ZG2"-11	ZG1.1/2"-11	29	47	65	

C. BSP ADAPTERS



90°BSPT MALE/BSPT FEMLAE

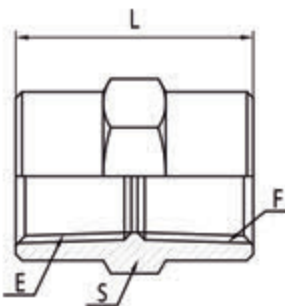
5T9



Part No.	Thread		Dimensions			
	E	F	A	B	S	
5T9-02-02	ZG1/8"-28	ZG1/8"-28	17	23	14	
5T9-04-04	ZG1/4"-19	ZG1/4"-19	22	28	19	
5T9-06-06	ZG3/8"-19	ZG3/8"-19	25	30	22	
5T9-08-08	ZG1/2"-14	ZG1/2"-14	30	36	27	
5T9-12-12	ZG3/4"-14	ZG3/4"-14	33	41	33	
5T9-16-16	ZG1"-11	ZG1"-11	39	50	41	
5T9-20-20	ZG1.1/4"-11	ZG1.1/4"-11	48	58	48	
5T9-24-24	ZG1.1/2"-11	ZG1.1/2"-11	57	67	65	

BSPT FEMALE

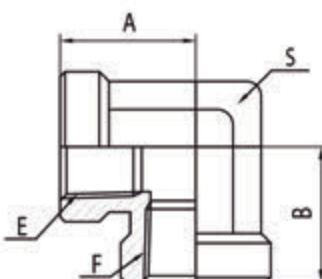
7T



Part No.	Thread		Dimensions			
	E	F		L	S	
7T-02-02	ZG1/8"-28	ZG1/8"-28		22	14	
7T-04-02	ZG1/4"-19	ZG1/8"-28		26	19	
7T-04-04	ZG1/4"-19	ZG1/4"-19		28	19	
7T-06-04	ZG3/8"-19	ZG1/4"-19		29	22	
7T-06-06	ZG3/8"-19	ZG3/8"-19		30	22	
7T-08-04	ZG1/2"-14	ZG1/4"-19		34	27	
7T-08-06	ZG1/2"-14	ZG3/8"-19		35	27	
7T-08-08	ZG1/2"-14	ZG1/2"-14		38	27	
7T-12-06	ZG3/4"-14	ZG3/8"-19		37	36	
7T-12-08	ZG3/4"-14	ZG1/2"-14		40	36	
7T-12-12	ZG3/4"-14	ZG3/4"-14		42	36	
7T-16-08	ZG1"-11	ZG1/2"-14		50	41	
7T-16-12	ZG1"-11	ZG3/4"-14		50	41	
7T-16-16	ZG1"-11	ZG1"-11		50	41	
7T-20-20	ZG1.1/4"-11	ZG1.1/4"-11		55	50	
7T-24-24	ZG1.1/2"-11	ZG1.1/2"-11		55	55	
7T-32-32	ZG2"-11	ZG2"-11		60	70	

90°BSPT FEMALE

7T9



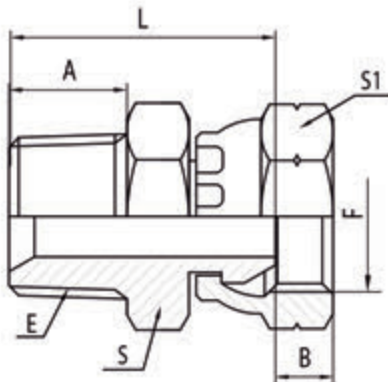
Part No.	Thread		Dimensions			
	E	F	A	B	S	
7T9-02-02	ZG1/8"-28	ZG1/8"-28	17	17	14	
7T9-04-04	ZG1/4"-19	ZG1/4"-19	21	21	17	
7T9-06-06	ZG3/8"-19	ZG3/8"-19	24.5	24.5	22	
7T9-08-08	ZG1/2"-14	ZG1/2"-14	28.5	28.5	26	
7T9-12-12	ZG3/4"-14	ZG3/4"-14	33	33	34	
7T9-16-16	ZG1"-11	ZG1"-11	39	39	41	
7T9-20-20	ZG1.1/4"-11	ZG1.1/4"-11	46	46	54	
7T9-24-24	ZG1.1/2"-11	ZG1.1/2"-11	48	48	56	
7T9-32-32	ZG2"-11	ZG2"-11	61	61	68	



BSP T MALE/BSP FEMALE 60° CONE

Part No.	Thread		Dimensions				S1
	E	F	A	B	L		
2TB-02-02	ZG1/8"-28	G1/8"-28	10	5.5	25.5	12	14
2TB-02-04	ZG1/8"-28	G1/4"-19	10	5.5	26.5	12	19
2TB-04-02	ZG1/4"-19	G1/8"-28	14.5	5.5	30.5	14	14
2TB-04-04	ZG1/4"-19	G1/4"-19	14.5	5.5	31.5	17	19
2TB-04-06	ZG1/4"-19	G3/8"-19	14.5	6.5	32	19	22
2TB-04-08	ZG1/4"-19	G1/2"-14	14.5	8	33	19	27
2TB-06-06	ZG3/8"-19	G3/8"-19	14.5	6.5	33	19	22
2TB-06-08	ZG3/8"-19	G1/2"-14	14.5	8	33	19	27
2TB-08-04	ZG1/2"-14	G1/4"-19	19.5	5.5	37	22	19
2TB-08-06	ZG1/2"-14	G3/8"-19	19.5	6.5	38	22	22
2TB-08-08	ZG1/2"-14	G1/2"-14	19.5	8	38.5	22	27
2TB-08-12	ZG1/2"-14	G3/4"-14	19.5	11.5	42	27	32
2TB-12-08	ZG3/4"-14	G1/2"-14	19.5	8	40	27	27
2TB-12-12	ZG3/4"-14	G3/4"-14	19.5	11.5	43	27	32
2TB-12-16	ZG3/4"-14	G1"-11	19.5	11.5	45	32	41
2TB-16-12	ZG1"-11	G3/4"-14	24.5	11.5	49.5	36	32
2TB-16-16	ZG1"-11	G1"-11	24.5	11.5	51	36	41
2TB-16-20	ZG1"-11	G1.1/4"-11	24.5	12	56	41	50
2TB-20-20	ZG1.1/4"-11	G1.1/4"-11	25	12	56	46	50
2TB-24-24	ZG1.1/2"-11	G1.1/2"-11	25	13	61.5	50	55
2TB-32-32	ZG2"-11	G2"-11	29	16	68	70	70

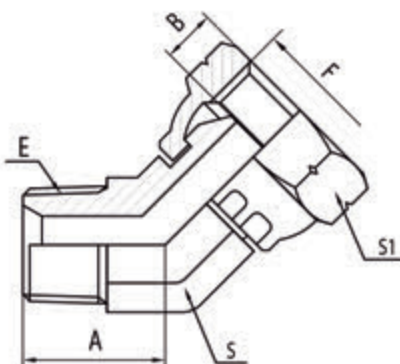
2TB



45° BSP T MALE/BSP FEMALE 60° CONE

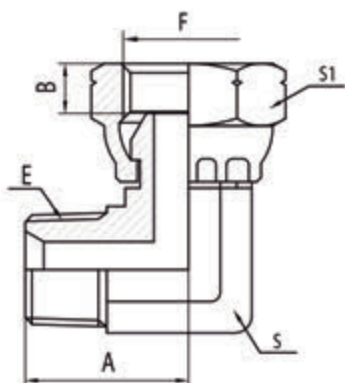
Part No.	Thread		Dimensions				S1
	E	F	A	B	S		
2TB4-02-02	ZG1/8"-28	G1/8"-28	18	5.5	11	14	
2TB4-04-04	ZG1/4"-19	G1/4"-19	22	5.5	14	19	
2TB4-04-06	ZG1/4"-19	G3/8"-19	22	6.5	17	22	
2TB4-06-04	ZG3/8"-19	G1/4"-19	22	5.5	17	19	
2TB4-06-06	ZG3/8"-19	G3/8"-19	22	6.5	17	22	
2TB4-06-08	ZG3/8"-19	G1/2"-14	24	8	19	27	
2TB4-08-06	ZG1/2"-14	G3/8"-19	28	6.5	22	22	
2TB4-08-08	ZG1/2"-14	G1/2"-14	28	8	22	27	
2TB4-08-12	ZG1/2"-14	G3/4"-14	31	11.5	27	32	
2TB4-12-08	ZG3/4"-14	G1/2"-14	31	8	27	27	
2TB4-12-12	ZG3/4"-14	G3/4"-14	31	11.5	27	32	
2TB4-12-16	ZG3/4"-14	G1"-11	33	11.5	33	41	
2TB4-16-12	ZG1"-11	G3/4"-14	38	11.5	33	32	
2TB4-16-16	ZG1"-11	G1"-11	38	11.5	33	41	
2TB4-20-20	ZG1.1/4"-11	G1.1/4"-11	42	12	44	50	
2TB4-24-24	ZG1.1/2"-11	G1.1/2"-11	47	13	50	55	

2TB4



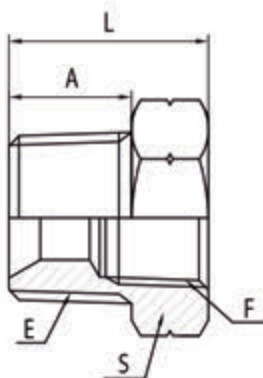
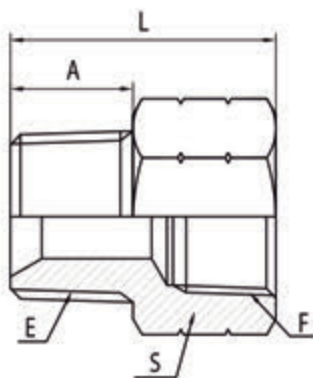
90°BSPT MALE/BSP FEMALE 60° CONE

2TB9



Part No.	Thread		Dimensions			
	E	F	A	B	S	S1
2TB9-02-02	ZG1/8"-28	G1/8"-28	22	5.5	11	14
2TB9-04-06	ZG1/4"-19	G3/8"-19	27	6.5	17	22
2TB9-04-04	ZG1/4"-19	G1/4"-19	25	5.5	14	19
2TB9-06-04	ZG3/8"-19	G1/4"-19	27	5.5	17	19
2TB9-06-08	ZG3/8"-19	G1/2"-14	29	8	19	27
2TB9-06-06	ZG3/8"-19	G3/8"-19	29	6.5	17	22
2TB9-08-06	ZG1/2"-14	G3/8"-19	37	6.5	22	22
2TB9-08-12	ZG1/2"-14	G3/4"-14	37	11.5	27	32
2TB9-08-08	ZG1/2"-14	G1/2"-14	36	8	22	27
2TB9-12-08	ZG3/4"-14	G1/2"-14	37	8	27	27
2TB9-12-16	ZG3/4"-14	G1"-11	45	11.5	33	41
2TB9-12-12	ZG3/4"-14	G3/4"-14	41	11.5	27	32
2TB9-16-12	ZG1"-11	G3/4"-14	49	11.5	33	32
2TB9-16-16	ZG1"-11	G1"-11	49	11.5	33	41
2TB9-20-20	ZG1.1/4"-11	G1.1/4"-11	55.5	12	41	50
2TB9-24-24	ZG1.1/2"-11	G1.1/2"-11	58	13	48	55

5TN

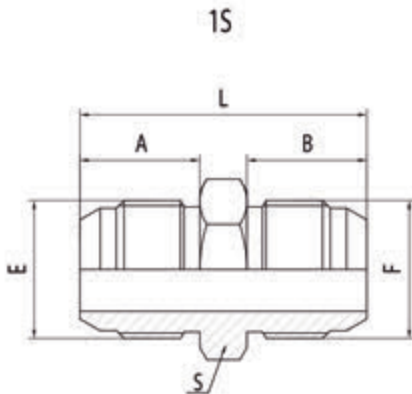


BSPT MALE/NPT FEMALE

Part No.	Thread		Dimensions			
	E	F	A	L	S	
5TN-04-02	ZG1/4"-19	Z1/8"-27	14.5	20	17	
5TN-04-04	ZG1/4"-19	Z1/4"-18	14.5	32	19	
5TN-04-06	ZG1/4"-19	Z3/8"-18	14.5	34	22	
5TN-06-02	ZG3/8"-19	Z1/8"-27	14.5	22	19	
5TN-06-04	ZG3/8"-19	Z1/4"-18	14.5	21	19	
5TN-06-06	ZG3/8"-19	Z3/8"-18	14.5	34	22	
5TN-06-08	ZG3/8"-19	Z1/2"-14	14.5	40	27	
5TN-08-04	ZG1/2"-14	Z1/4"-18	19.5	27	24	
5TN-08-06	ZG1/2"-14	Z3/8"-18	19.5	27	24	
5TN-08-08	ZG1/2"-14	Z1/2"-14	19.5	46	27	
5TN-08-12	ZG1/2"-14	Z3/4"-14	19.5	49	36	
5TN-12-06	ZG3/4"-14	Z3/8"-18	19.5	29	27	
5TN-12-08	ZG3/4"-14	Z1/2"-14	19.5	29	27	
5TN-12-12	ZG3/4"-14	Z3/4"-14	19.5	49	36	
5TN-16-08	ZG1"-11	Z1/2"-14	24.5	34	36	
5TN-16-12	ZG1"-11	Z3/4"-14	24.5	34	36	
5TN-16-16	ZG1"-11	Z1"-11.5	24.5	58	41	
5TN-20-16	ZG1.1/4"-11	Z1"-11.5	25	38	46	
5TN-20-20	ZG1.1/4"-11	Z1.1/4"-11.5	25	59	50	
5TN-24-16	ZG1.1/2"-11	Z1"-11.5	25	42	50	
5TN-24-20	ZG1.1/2"-11	Z1.1/4"-11.5	25	42	50	
5TN-32-24	ZG2"-11	Z1.1/2"-11.5	29	47	65	

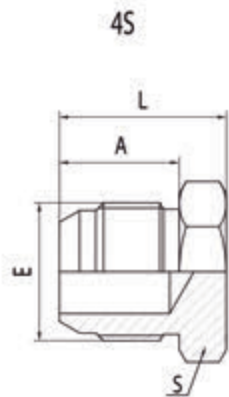


JIS GAS MALE 60° CONE



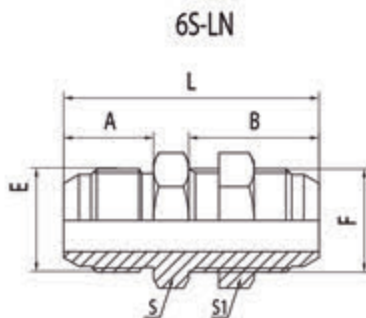
Part No.	Thread		Dimensions			
	E	F	A	B	L	S
1S-02-02	G1/8"-28	G1/8"-28	12	12	30	14
1S-04-04	G1/4"-19	G1/4"-19	15	15	36	17
1S-06-06	G3/8"-19	G3/8"-19	16	16	39	19
1S-08-08	G1/2"-14	G1/2"-14	19	19	46	22
1S-12-12	G3/4"-14	G3/4"-14	23	23	56	30
1S-16-16	G1"-11	G1"-11	25	25	61	36
1S-20-20	G1.1/4"-11	G1.1/4"-11	27	27	67	46
1S-24-24	G1.1/2"-11	G1.1/2"-11	27	27	68	50
1S-32-32	G2"-11	G2"-11	30	30	77	70

JIS GAS MALE 60° CONE PLUG



Part No.	Thread		Dimensions		
	E		A	L	S
4S-02	G1/8"-28		12	18	14
4S-04	G1/4"-19		15	21	17
4S-06	G3/8"-19		16	23	19
4S-08	G1/2"-14		19	27	22
4S-12	G3/4"-14		23	32	30
4S-16	G1"-11		25	36	36
4S-20	G1.1/4"-11		27	40	46
4S-24	G1.1/2"-11		27	41	50
4S-32	G2"-11		30	47	70

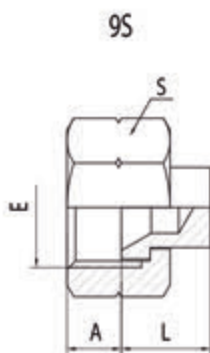
JIS GAS MALE 60° CONE BULKHEAD



Part No.	Thread		Dimensions				
	E	F	A	B	L	S	S1
6S-04 LN	G1/4"-19	G1/4"-19	15	32	54	19	19
6S-06 LN	G3/8"-19	G3/8"-19	16	36	60	22	22
6S-08 LN	G1/2"-14	G1/2"-14	19	40	68	27	27
6S-12 LN	G3/4"-14	G3/4"-14	23	41	74	32	32
6S-16 LN	G1"-11	G1"-11	25	45	85	41	41

Please delete "LN" after the part number if don't need with lock nut, for example 6S-16.

JIS GAS FEMALE 60° SEAT PLUG

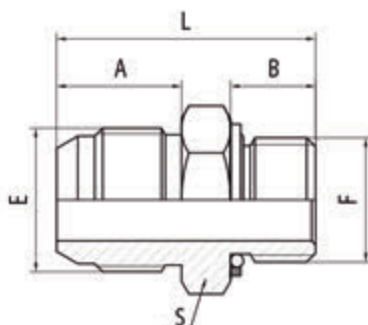


Part No.	Thread		Dimensions		
	E		A	L	S
9S-04	G1/4"-19		8	14	17
9S-06	G3/8"-19		9	15	22
9S-08	G1/2"-14		9.5	15.5	27
9S-12	G3/4"-14		11.5	18.5	32
9S-16	G1"-11		14	20	41
9S-20	G1.1/4"-11		15	23	50
9S-24	G1.1/2"-11		17	25	55
9S-32	G2"-11		23	28	70

C. BSP ADAPTERS



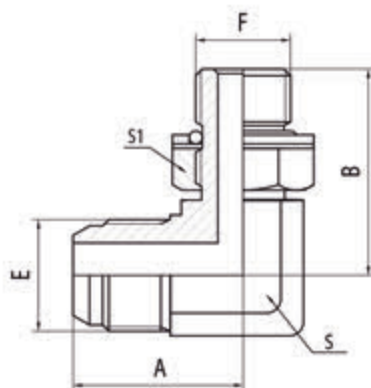
1SG



JIS GAS MALE 60° CONE/BSP MALE O-RING

Part No.	Thread		Dimensions			
	E	F	A	B	L	S
1SG-02-02	G1/8"-28	G1/8"-28	12	8	26	14
1SG-04-04	G1/4"-19	G1/4"-19	15	12	33.5	19
1SG-06-06	G3/8"-19	G3/8"-19	16	12	36	22
1SG-08-08	G1/2"-14	G1/2"-14	19	14	42	27
1SG-12-12	G3/4"-14	G3/4"-14	23	16	49	32
1SG-16-16	G1"-11	G1"-11	25	18	54	41
1SG-20-20	G1.1/4"-11	G1.1/4"-11	27	20	61	50
1SG-24-24	G1.1/2"-11	G1.1/2"-11	27	22	64	55

1SG9-OG

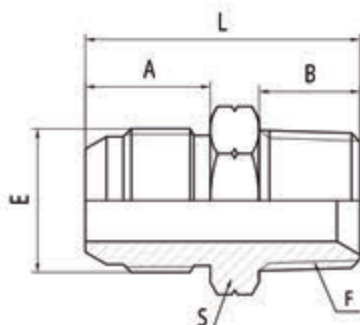


JIS GAS MALE 60° CONE/BSP MALE O-RING ADJUSTABLE STUD END

Part No.	Thread		Dimensions			
	E	F	A	B	S	S1
1SG9-02-02 OG	G1/8"-28	G1/8"-28	23	26.5	11	14
1SG9-04-04 OG	G1/4"-19	G1/4"-19	26	32	14	19
1SG9-06-06 OG	G3/8"-19	G3/8"-19	29	35	19	22
1SG9-08-08 OG	G1/2"-14	G1/2"-14	37	44	22	27
1SG9-12-12 OG	G3/4"-14	G3/4"-14	44	50	27	32
1SG9-16-16 OG	G1"-11	G1"-11	48	55.5	33	41
1SG9-20-20 OG	G1.1/4"-11	G1.1/4"-11	27	57	41	50
1SG9-24-24 OG	G1.1/2"-11	G1.1/2"-11	59	63	48	55

Please add "TO" after the part number if there is no washer out of the O-ring on the product, for example 1SG-12-12 TO, 1SG9-12-12 OG/TO

1SN

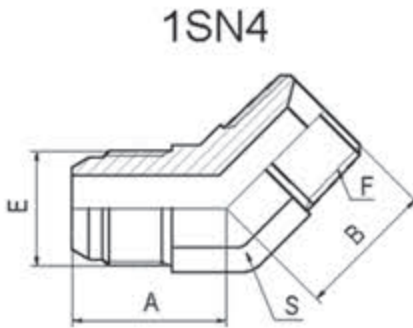


JIS GAS MALE 60° CONE/NPT MALE

Part No.	Thread		Dimensions			
	E	F	A	B	L	S
1SN-02-02	G1/8"-28	Z1/8"-27	12	10	28	14
1SN-04-04	G1/4"-19	Z1/4"-18	15	14.5	35.5	17
1SN-04-06	G1/4"-19	Z3/8"-18	15	14.5	35.5	19
1SN-06-04	G3/8"-19	Z1/4"-18	16	14.5	36.5	19
1SN-06-06	G3/8"-19	Z3/8"-18	16	14.5	36.5	19
1SN-06-08	G3/8"-19	Z1/2"-14	16	19.5	43.5	22
1SN-08-06	G1/2"-14	Z3/8"-18	19	14.5	41.5	22
1SN-08-08	G1/2"-14	Z1/2"-14	19	19.5	46.5	22
1SN-12-08	G3/4"-14	Z1/2"-14	23	19.5	52.5	30
1SN-12-12	G3/4"-14	Z3/4"-14	23	19.5	52.5	30
1SN-16-16	G1"-11	Z1"-11.5	25	24.5	62	41
1SN-20-20	G1.1/4"-11	Z1.1/4"-11.5	27	25	65	46
1SN-24-24	G1.1/2"-11	Z1.1/2"-11.5	27	25	66	50
1SN-32-32	G2"-11	Z2"-11.5	30	29	76	70

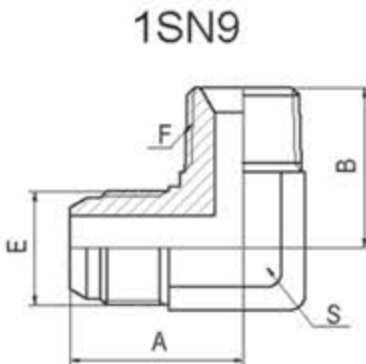


JIS GAS MALE 60° CONE/ NPT MALE



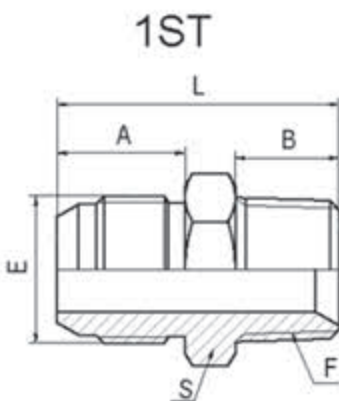
Part No.	Thread		Dimensions			
	E	F	A	L	S	
1SN4-02-02	G1/8"-28	Z1/8"-27	21	17.5	11	
1SN4-04-04	G1/4"-19	Z1/4"-18	22	22	14	
1SN4-06-06	G3/8"-19	Z3/8"-18	25	22	19	
1SN4-08-08	G1/2"-14	Z1/2"-14	28	28	22	
1SN4-12-12	G3/4"-14	Z3/4"-14	33	31	27	
1SN4-16-16	G1"-11	Z1"-11.5	38	38	33	
1SN4-20-20	G1.1/4"-11	Z1.1/4"-11.5	42	42	44	
1SN4-24-24	G1.1/2"-11	Z1.1/2"-11.5	47	47	48	

90° JIS GAS MALE 60° CONE/ NPT MALE



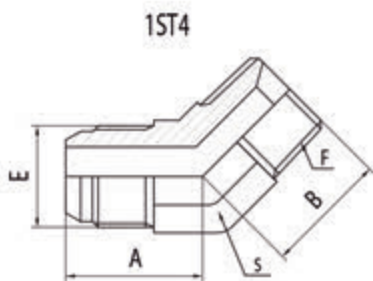
Part No.	Thread		Dimensions			
	E	F	A	L	S	
1SN9-02-02	G1/8"-28	Z1/8"-27	22	22	11	
1SN9-04-04	G1/4"-19	Z1/4"-18	25	25	14	
1SN9-04-06	G1/4"-19	Z3/8"-18	28	28	17	
1SN9-06-04	G3/8"-19	Z1/4"-18	28	28	17	
1SN9-06-06	G3/8"-19	Z3/8"-18	28	28	17	
1SN9-08-08	G1/2"-14	Z1/2"-14	37	36	22	
1SN9-12-12	G3/4"-14	Z3/4"-14	42	40	27	
1SN9-16-16	G1"-11	Z1"-11.5	48	47	33	
1SN9-20-20	G1.1/4"-11	Z1.1/4"-11.5	57	53	41	
1SN9-24-24	G1.1/2"-11	Z1.1/2"-11.5	59	59	48	

JIS GAS MALE 60° CONE/ BSPT MALE



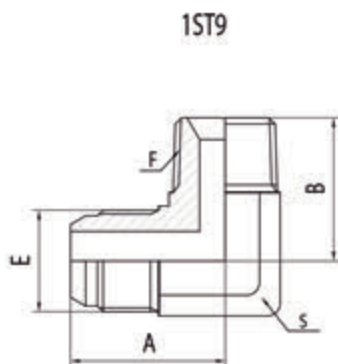
Part No.	Thread		Dimensions			
	E	F	A	B	L	S
1ST-02-02	G1/8"-28	ZG1/8"-28	12	10	28	14
1ST-04-04	G1/4"-19	ZG1/4"-19	15	14.5	35.5	17
1ST-04-06	G1/4"-19	ZG3/8"-19	15	14.5	35.5	19
1ST-06-04	G3/8"-19	ZG1/4"-19	16	14.5	36.5	19
1ST-06-06	G3/8"-19	ZG3/8"-19	16	14.5	36.5	19
1ST-06-08	G3/8"-19	ZG1/2"-14	16	19.5	43.5	22
1ST-08-06	G1/2"-14	ZG3/8"-19	19	14.5	41.5	22
1ST-08-08	G1/2"-14	ZG1/2"-14	19	19.5	46.5	22
1ST-12-08	G3/4"-14	ZG1/2"-14	23	19.5	52.5	30
1ST-12-12	G3/4"-14	ZG3/4"-14	23	19.5	52.5	30
1ST-16-16	G1"-11	ZG1"-11	25	24.5	61.5	41
1ST-20-20	G1.1/4"-11	ZG1.1/4"-11	27	25	65	46
1ST-24-24	G1.1/2"-11	ZG1.1/2"-11	27	25	66	50
1ST-32-32	G2"-11	ZG2"-11	30	29	76	70

45° JIS GAS MALE 60° CONE/BSPT MALE

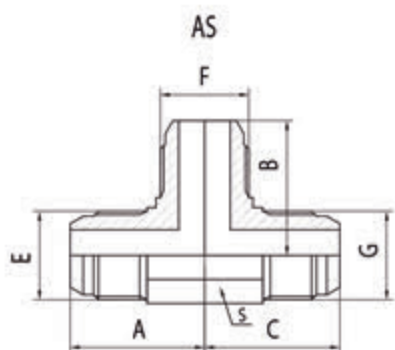


Part No.	Thread		Dimensions			
	E	F	A	B	S	
1ST4-02-02	G1/8"-28	ZG1/8"-28	21	17.5	11	
1ST4-04-04	G1/4"-19	ZG1/4"-19	22	22	14	
1ST4-06-06	G3/8"-19	ZG3/8"-19	25	22	19	
1ST4-08-08	G1/2"-14	ZG1/2"-14	28	28	22	
1ST4-12-12	G3/4"-14	ZG3/4"-14	33	31	27	
1ST4-16-16	G1"-11	ZG1"-11	38	38	33	
1ST4-20-20	G1.1/4"-11	ZG1.1/4"-11	42	42	44	
1ST4-24-24	G1.1/2"-11	ZG1.1/2"-11	47	47	48	

90° JIS GAS MALE 60° CONE/BSPT MALE

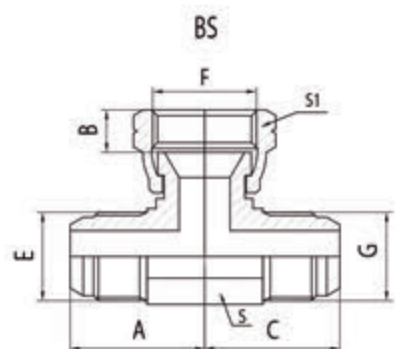


Part No.	Thread		Dimensions			
	E	F	A	B	S	
1ST9-02-02	G1/8"-28	ZG1/8"-28	22	22	11	
1ST9-04-04	G1/4"-19	ZG1/4"-19	25	25	14	
1ST9-06-06	G3/8"-19	ZG3/8"-19	28	28	17	
1ST9-08-08	G1/2"-14	ZG1/2"-14	37	36	22	
1ST9-12-12	G3/4"-14	ZG3/4"-14	42	40	27	
1ST9-16-16	G1"-11	ZG1"-11	48	47	33	
1ST9-20-20	G1.1/4"-11	ZG1.1/4"-11	57	53	41	
1ST9-24-24	G1.1/2"-11	ZG1.1/2"-11	59	59	48	



JIS GAS MALE 60° CONE TEE

Part No.	Thread			Dimensions			
	E	F	F	A	B	C	S
AS-04	G1/4"-19	G1/4"-19	G1/4"-19	26	26	26	14
AS-06	G3/8"-19	G3/8"-19	G3/8"-19	29	29	29	19
AS-08	G1/2"-14	G1/2"-14	G1/2"-14	37	37	37	22
AS-12	G3/4"-14	G3/4"-14	G3/4"-14	44	44	44	27
AS-16	G1"-11	G1"-11	G1"-11	48	48	48	33



JIS GAS MALE 60° CONE/FEMALE 60° SEAT BRANCH TEE

Part No.	Thread			Dimensions				
	E	F	F	A	B	C	S	S1
BS-04-04-04	G1/4"-19	G1/4"-19	G1/4"-19	26	8	26	14	19
BS-06-06-06	G3/8"-19	G3/8"-19	G3/8"-19	29	8.5	29	19	22
BS-08-08-08	G1/2"-14	G1/2"-14	G1/2"-14	37	10.5	37	22	27
BS-12-12-12	G3/4"-14	G3/4"-14	G3/4"-14	44	14	44	27	32
BS-16-16-16	G1"-11	G1"-11	G1"-11	48	14.5	48	33	41

AFAXXION FLEX







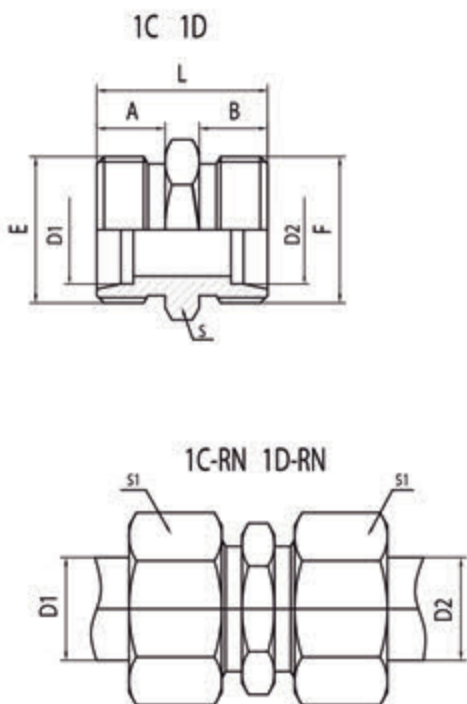
D. METRIC TUBE ADAPTERS



D. METRIC TUBE ADAPTERS

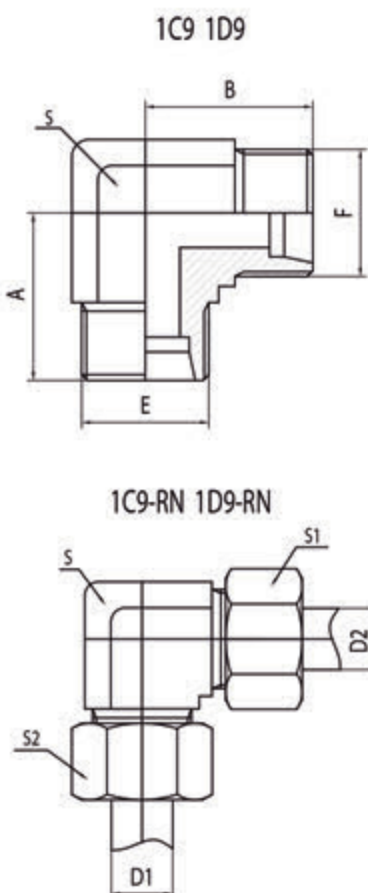


METRIC MALE 24°



Part No.	Thread		TUBE O.D		Dimensions				
	E	F	D1	D2	A	B	L	S	S1
1C-12	M12X1.5	M12X1.5	6	6	10	10	24	12	14
1C-14	M14X1.5	M14X1.5	8	8	10	10	25	14	17
1C-16	M16X1.5	M16X1.5	10	10	11	11	27	17	19
1C-18	M18X1.5	M18X1.5	12	12	11.5	11.5	29	19	22
1C-22	M22X1.5	M22X1.5	15	15	12.5	12.5	31	24	27
1C-26	M26X1.5	M26X1.5	18	18	12.5	12.5	32	27	32
1C-30	M30X2	M30X2	22	22	14	14	35	32	36
1C-36	M36X2	M36X2	28	28	15	15	38	41	41
1C-45	M45X2	M45X2	35	35	16	16	44	46	50
1C-52	M52X2	M52X2	42	42	16	16	43	55	60
1D-14	M14X1.5	M14X1.5	6	6	12	12	30	14	17
1D-16	M16X1.5	M16X1.5	8	8	12	12	30	17	19
1D-18	M18X1.5	M18X1.5	10	10	12	12	32	19	22
1D-20	M20X1.5	M20X1.5	12	12	12	12	34	22	24
1D-22	M22X1.5	M22X1.5	14	14	14	14	38	24	27
1D-24	M24X1.5	M24X1.5	16	16	14	14	38	27	30
1D-30	M30X2	M30X2	20	20	16	16	44	32	36
1D-36	M36X2	M36X2	25	25	18	18	50	41	41
1D-42	M42X2	M42X2	30	30	20	20	54	46	50
1D-52	M52X2	M52X2	38	38	22	22	61	55	60

90°METRIC MALE 24°



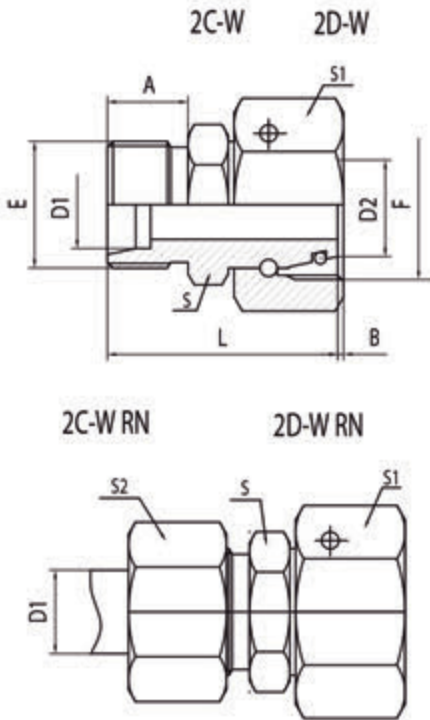
Part No.	Thread		TUBE O.D		Dimensions				
	E	F	D	D1	A	B	S	S1	S2
1C9-12	M12X1.5	M12X1.5	6	6	21	21	11	14	14
1C9-14	M14X1.5	M14X1.5	8	8	22	22	12	17	17
1C9-16	M16X1.5	M16X1.5	10	10	23	23	14	19	19
1C9-18	M18X1.5	M18X1.5	12	12	25	25	17	22	22
1C9-22	M22X1.5	M22X1.5	15	15	29	29	19	27	27
1C9-26	M26X1.5	M26X1.5	18	18	32	32	24	32	32
1C9-30	M30X2	M30X2	22	22	36	36	27	36	36
1C9-36	M36X2	M36X2	28	28	39	39	33	41	41
1C9-45	M45X2	M45X2	35	35	47	47	41	50	50
1C9-52	M52X2	M52X2	42	42	52	52	48	60	60
1D9-14	M14X1.5	M14X1.5	6	6	22	22	12	17	17
1D9-16	M16X1.5	M16X1.5	8	8	24	24	14	19	19
1D9-18	M18X1.5	M18X1.5	10	10	26	26	17	22	22
1D9-20	M20X1.5	M20X1.5	12	12	29	29	17	24	24
1D9-22	M22X1.5	M22X1.5	14	14	30.5	30.5	19	27	27
1D9-24	M24X1.5	M24X1.5	16	16	33	33	24	30	30
1D9-30	M30X2	M30X2	20	20	37	37	27	36	36
1D9-36	M36X2	M36X2	25	25	43	43	33	41	41
1D9-42	M42X2	M42X2	30	30	50	50	41	50	50
1D9-52	M52X2	M52X2	38	38	57	57	48	60	60

If you are interested to order the adapter in complete set with cutting ring and nut, it is necessary to insert suffix "RN" after our part NO, for example "1C9-22 RN".

D. METRIC TUBE ADAPTERS

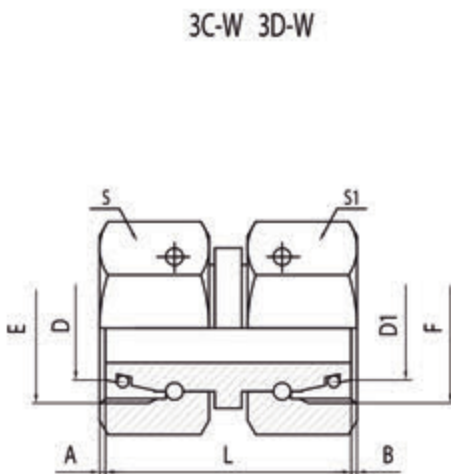


METRIC MALE/FEMALE SWIVEL 24°



Part No.	Thread		TUBE O.D.		Dimensions					
	E	F	D1	D2	A	B	L	S	S1	S2
2C-12W	M12X1.5	M12X1.5	6	6	10	0.5	28	12	17	14
2C-14-16W	M14X1.5	M16X1.5	8	10	11	1.5	33	17	19	17
2C-14W	M14X1.5	M14X1.5	8	8	11	1.5	31	14	17	17
2C-16W	M16X1.5	M16X1.5	10	10	11	1.5	34	17	19	19
2C-16-18W	M16X1.5	M18X1.5	10	12	11	2	33	17	22	19
2C-18W	M18X1.5	M18X1.5	12	12	11.5	2	33.5	19	22	22
2C-22W	M22X1.5	M22X1.5	15	15	12.5	1.5	39	24	27	27
2C-26W	M26X1.5	M26X1.5	18	18	12.5	1	39.5	27	32	32
2C-30W	M30X2	M30X2	22	22	14	3	43	32	36	36
2C-36W	M36X2	M36X2	28	28	15	2.5	46	41	41	41
2C-45W	M45X2	M45X2	35	35	15	2.5	55.5	50	50	41
2C-52W	M52X2	M52X2	42	42	18	2.5	60	60	60	50
2D-14W	M14X1.5	M14X1.5	6	6	12	2	31.5	17	17	17
2D-16W	M16X1.5	M16X1.5	8	8	12	2	33	17	19	19
2D-18W	M18X1.5	M18X1.5	10	10	12	1	34.5	19	22	22
2D-20W	M20X1.5	M20X1.5	12	12	12	2	38	22	24	24
2D-22W	M22X1.5	M22X1.5	14	14	14	2.5	39.5	24	27	27
2D-24W	M24X1.5	M24X1.5	16	16	14	1.5	42	27	30	30
2D-30W	M30X2	M30X2	20	20	16	2.5	50	32	36	36
2D-36W	M36X2	M36X2	25	25	18	2	54	41	41	41
2D-42W	M42X2	M42X2	30	30	20	5	56	46	50	50
2D-52W	M52X2	M52X2	30	38	20	6	58	50	60	60

METRIC FEMALE/FEMALE SWIVEL 24°



Part No.	Thread		TUBE O.D.		Dimensions				
	E	F	D	D1	A	B	L	S	S1
3C-12W	M12X1.5	M12X1.5	6	6	0.5	0.5	31	17	17
3C-14W	M14X1.5	M14X1.5	8	8	1.5	1.5	31	17	17
3C-16W	M16X1.5	M16X1.5	10	10	1.5	1.5	37	19	19
3C-18W	M18X1.5	M18X1.5	12	12	2	2	35	22	22
3C-22W	M22X1.5	M22X1.5	15	15	1.5	1.5	41	27	27
3C-26W	M26X1.5	M26X1.5	18	18	1	1	42	32	32
3C-30W	M30X2	M30X2	22	22	3	3	44	36	36
3C-36W	M36X2	M36X2	28	28	2.5	2.5	50	41	41
3C-45W	M45X2	M45X2	35	35	3	3	53	50	50
3C-52W	M52X2	M52X2	42	42	2.5	2.5	62	60	60
3D-18W	M18X1.5	M18X1.5	10	10	1	1	37	22	22
3D-20W	M20X1.5	M20X1.5	12	12	2	2	40	24	24
3D-22W	M22X1.5	M22X1.5	14	14	2.5	2.5	39	27	27
3D-24W	M24X1.5	M24X1.5	16	16	1.5	1.5	41	30	30
3D-30W	M30X2	M30X2	20	20	2.5	2.5	44	36	36
3D-36W	M36X2	M36X2	25	25	2	2	51	41	41
3D-42W	M42X2	M42X2	30	30	5	5	49	50	50
3D-52W	M52X2	M52X2	38	38	6	6	55	60	60

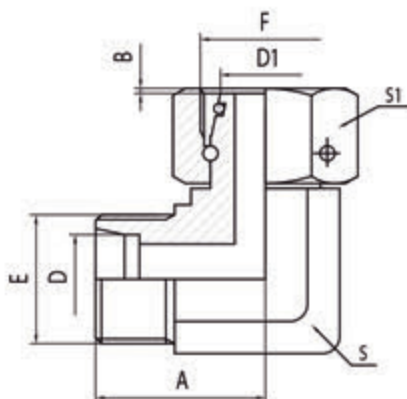
If you are interested to order the adapter in complete set with cutting ring and nut, it is necessary to insert suffix "RN" after our part NO, for example "2C-22 RN".

D. METRIC TUBE ADAPTERS

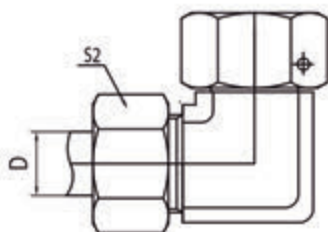


90°METRIC MALE/FEMALE SWIVEL 24°

2C9-W 2D9-W



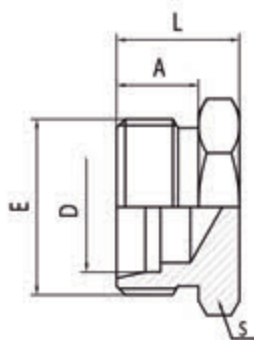
2C9-W RN 2D9-W RN



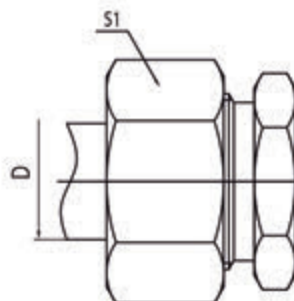
Part No.	Thread		TUBE O.D		Dimensions				
	E	F	D	D1	A	B	S	S1	S2
2C9-12W	M12X1.5	M12X1.5	6	6	21	0.5	11	17	14
2C9-14W	M14X1.5	M14X1.5	12	12	22	1.5	12	17	17
2C9-16W	M16X1.5	M16X1.5	10	10	23	1.5	14	19	19
2C9-18W	M18X1.5	M18X1.5	12	12	25	2	17	22	22
2C9-22W	M22X1.5	M22X1.5	15	15	29	1.5	19	27	27
2C9-26W	M26X1.5	M26X1.5	18	18	32	1	24	32	32
2C9-30W	M30X2	M30X2	22	22	36	3	27	36	36
2C9-36W	M36X2	M36X2	28	28	39	2.5	33	41	41
2C9-45W	M45X2	M45X2	35	35	47	3	41	50	50
2C9-52W	M52X2	M52X2	42	42	52	2.5	48	60	60
2D9-14W	M14X1.5	M14X1.5	6	6	22	2	12	17	17
2D9-16W	M16X1.5	M16X1.5	8	8	24	2	14	19	19
2D9-18W	M18X1.5	M18X1.5	10	10	26	1	17	22	22
2D9-20W	M20X1.5	M20X1.5	12	12	29	2	19	24	24
2D9-22W	M22X1.5	M22X1.5	14	14	30.5	2.5	19	27	27
2D9-24W	M24X1.5	M24X1.5	16	16	33	1.5	24	30	30
2D9-30W	M30X2	M30X2	20	20	37	2.5	27	36	36
2D9-36W	M36X2	M36X2	25	25	43	2	33	41	41
2D9-42W	M42X2	M42X2	30	30	50	5	41	50	50
2D9-52W	M52X2	M52X2	38	38	57	6	48	60	60

METRIC MALE 24°PLUG

4C 4D



4C-RN 4D-RN



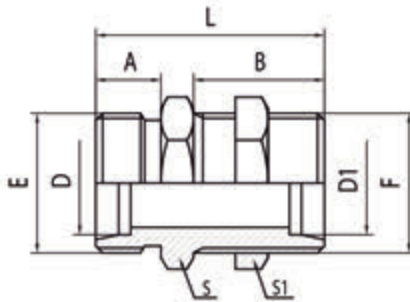
Part No.	Thread	TUBE O.D	Dimensions			
	E	D	A	L	S	S1
4C-12W	M12X1.5	6	10	14	12	14
4C-14W	M14X1.5	8	10	15	17	17
4C-16W	M16X1.5	10	11	16	17	19
4C-18W	M18X1.5	12	11.5	17.5	19	22
4C-22W	M22X1.5	15	12.5	18.5	22	27
4C-26W	M26X1.5	18	12.5	19.5	27	32
4C-30W	M30X2	22	14	21	32	36
4C-36W	M36X2	28	15	23	41	41
4C-45W	M45X2	35	16	25	46	50
4C-52W	M52X2	42	16	27	55	60
4D-14W	M14X1.5	6	12	18	17	17
4D-16W	M16X1.5	8	12	17	17	19
4D-18W	M18X1.5	10	12	20	19	22
4D-20W	M20X1.5	12	12	22	22	24
4D-22W	M22X1.5	14	14	24	24	27
4D-24W	M24X1.5	16	14	24	27	30
4D-30W	M30X2	20	16	28	32	36
4D-36W	M36X2	25	18	32	41	41
4D-42W	M42X2	30	20	34	46	50
4D-52W	M52X2	38	22	39	55	60

If you are interested to order the adapter in complete set with cutting ring and nut, it is necessary to insert suffix "RN" after our part NO, for example 4C-22 RN.

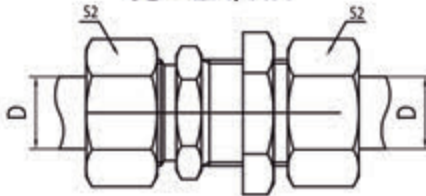


BSP MALE 60°SEAT BULKHEAD

6C-LN
6D-LN



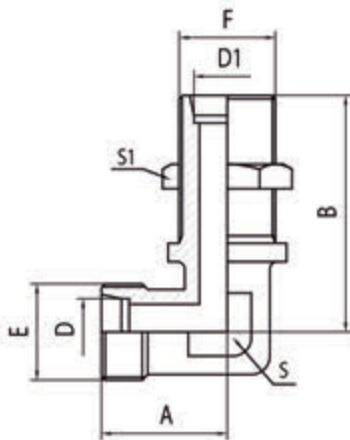
6C- LN/RN
6D- LN/RN



Part No.	Thread		TUBE O.D		Dimensions					
	E	F	D	D1	A	B	L	S	S1	S2
6C-14 LN	M14X1.5	M14X1.5	8	8	10	34	49	19	19	17
6C-16 LN	M16X1.5	M16X1.5	10	10	11	35	52	22	22	19
6C-18 LN	M18X1.5	M18X1.5	12	12	11.5	36	53	24	24	22
6C-22 LN	M22X1.5	M22X1.5	15	15	12.5	38	57	27	30	27
6C-26 LN	M26X1.5	M26X1.5	18	18	12.5	40	61.5	32	36	32
6C-30 LN	M30X2	M30X2	22	22	14	42	66	36	41	36
6C-36 LN	M36X2	M36X2	28	28	15	43	70	41	46	41
6C-45 LN	M45X2	M45X2	35	35	16	47	76	50	55	50
6C-52 LN	M52X2	M52X2	42	42	16	47	77	60	65	60
6D-18 LN	M18X1.5	M18X1.5	10	10	12	37	59	24	24	22
6D-20 LN	M20X1.5	M20X1.5	12	12	12	38	60	27	27	24
6D-22 LN	M22X1.5	M22X1.5	14	14	14	40	65	30	30	27
6D-24 LN	M24X1.5	M24X1.5	16	16	14	40	65	32	32	30
6D-30 LN	M30X2	M30X2	20	20	16	44	72	41	41	36
6D-36 LN	M36X2	M36X2	25	25	18	47	79	46	46	41
6D-42 LN	M42X2	M42X2	30	30	20	51	86	50	50	50
6D-52 LN	M52X2	M52X2	38	38	22	55	91	65	65	60

90° METRIC MALE 24°BULKHEAD

6C9-LN/RN
6D9-LN/RN



Part No.	Thread		TUBE O.D		Dimensions					
	E	F	D	D1	A	B	S	S1	S2	
6C9-14 LN	M14X1.5	M14X1.5	8	8	21	51	12	19	17	
6C9-16 LN	M16X1.5	M16X1.5	10	10	22	53	14	22	19	
6C9-18 LN	M18X1.5	M18X1.5	12	12	24	56	17	24	22	
6C9-22 LN	M22X1.5	M22X1.5	15	15	28	61	19	30	27	
6C9-26 LN	M26X1.5	M26X1.5	18	18	34	64	24	36	32	
6C9-30 LN	M30X2	M30X2	22	22	38	73	26	41	36	
6C9-36 LN	M36X2	M36X2	28	28	40.5	79	34	46	41	
6C9-45 LN	M45X2	M45X2	35	35	45	86	41	55	50	
6C9-52 LN	M52X2	M52X2	42	42	57	95	50	65	60	
6D9-18 LN	M18X1.5	M18X1.5	10	10	25	57	17	24	22	
6D9-20 LN	M20X1.5	M20X1.5	12	12	29	59	17	27	24	
6D9-22 LN	M22X1.5	M22X1.5	14	14	30	63	19	30	27	
6D9-24 LN	M24X1.5	M24X1.5	16	16	33	64	24	32	30	
6D9-30 LN	M30X2	M30X2	20	20	38	74	26	41	36	
6D9-36 LN	M36X2	M36X2	25	25	42	81	34	46	41	
6D9-42 LN	M42X2	M42X2	30	30	49	90	41	50	50	
6D9-52 LN	M52X2	M52X2	38	38	57	96	50	65	60	

If you are interested to order the adapter in complete set with cutting ring and nut, it is necessary to insert suffix "RN" after our part NO, for example 6C9-22 RN.

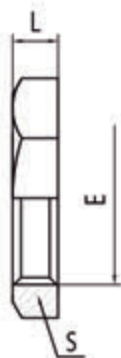
Please delete "LN" after the part number if don't need with lock nut, for example 6D-36.

D. METRIC TUBE ADAPTERS



METRIC LOCK NUT

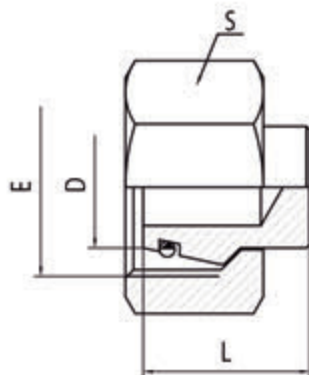
8C 8D



Part No.	Thread		Dimensions			
	E		L	S		
8C-10	M10X1		6	14		
8C-12	M12X1.5		7.5	17		
8C-14	M14X1.5		7.5	19		
8C-16	M16X1.5		6	22		
8C-18	M18X1.5		7.5	24		
8C-20	M20X1.5		8	27		
8C-22	M22X1.5		8	30		
8C-24	M24X1.5		8	32		
8C-26	M26X1.5		8	36		
8C-27	M27X1.5		8	36		
8C-27X2	M27X2		8	36		
8D-30	M30X2		8.5	41		
8C-33	M33X2		9	41		
8D-36	M36X2		9	46		
8C-42	M42X2		10	50		
8C-45	M45X2		10	55		
8C-48	M48X2		10	55		
8C-52	M52X2		10	65		

METRIC FEMALE 24°L/H.T.CAP

9C 9D

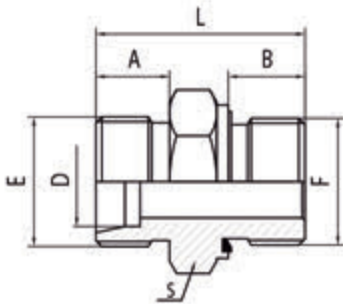


Part No.	Thread		TUBE O.D		Dimensions	
	E		D	L	S	
9C-12-06	M12X1.5		6	18.5	14	
9C-14-08	M14X1.5		8	18.5	17	
9C-16-10	M16X1.5		10	20	19	
9C-18-12	M18X1.5		12	20.5	22	
9C-22-15	M22X1.5		15	20.5	27	
9C-26-18	M26X1.5		18	26	32	
9C-30-22	M30X2		22	25.5	36	
9C-36-28	M36X2		28	25.5	41	
9C-45-35	M45X2		35	30	50	
9C-52-42	M52X2		42	30	60	
9D-16-08	M16X1.5		8	21.5	19	
9D-18-10	M18X1.5		10	23.5	22	
9D-20-12	M20X1.5		12	24	24	
9D-22-14	M22X1.5		14	25	27	
9D-24-16	M24X1.5		16	26	30	
9D-30-20	M30X2		20	31	36	
9D-36-25	M36X2		25	31	41	
9D-42-30	M42X2		30	33.5	50	
9D-52-38	M52X2		38	35.5	60	

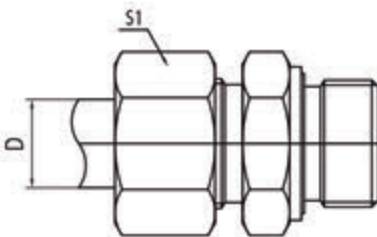


METRIC MALE 24°/BSP MALE CAPTIVE SEAL

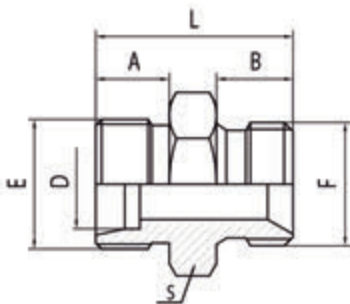
1CB-WD 1DB-WD



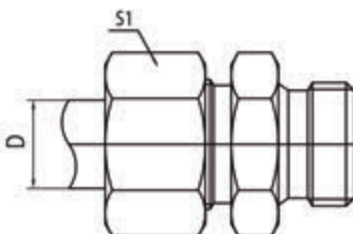
1CB-WD RN 1DB-WD RN



1CB 1DB



1CB-RN 1DB-RN



Part No.	Thread		TUBE O.D		Dimensions				
	E	F	D		A	B	L	S	S1
1CB-12-04WD	M12X1.5	G1/4"-19	6		10	12	31	19	14
1CB-14-04WD	M14X1.5	G1/4"-19	8		10	12	29	19	17
1CB-16-04WD	M16X1.5	G1/4"-19	10		11	12	30	19	19
1CB-16-06WD	M16X1.5	G3/8"-19	10		11	12	31.5	22	19
1CB-18-06WD	M18X1.5	G3/8"-19	12		11.5	12	32	22	22
1CB-22-06WD	M22X1.5	G3/8"-19	15		12.5	12	33	22	27
1CB-26-08WD	M26X1.5	G1/2"-14	18		12.5	14	35.5	27	32
1CB-26-12WD	M26X1.5	G3/4"-14	18		12.5	16	38.5	32	32
1CB-30-12WD	M30X2	G3/4"-14	22		14	16	40	32	36
1CB-36-16WD	M36X2	G1"-11	28		15	18	44	41	41
1CB-45-20WD	M45X2	G1.1/4"-11	35		16	20	48	50	50
1CB-52-20WD	M52X2	G1.1/4"-11	42		16	20	50	55	60
1CB-52-24WD	M52X2	G1.1/2"-11	42		16	20	52	55	60
1DB-18-06WD	M18X1.5	G3/8"-19	10		12	12	33	22	22
1DB-20-08WD	M20X1.5	G1/2"-14	12		12	14	38	27	24
1DB-22-08WD	M22X1.5	G1/2"-14	14		14	14	40.5	27	27
1DB-24-08WD	M24X1.5	G1/2"-14	16		14	14	41	27	30
1DB-30-12WD	M30X2	G3/4"-14	20		16	16	49	32	36
1DB-36-16WD	M36X2	G1"-11	25		18	18	52	41	41
1DB-42-20WD	M42X2	G1.1/4"-11	30		20	20	57	50	50
1DB-52-24WD	M52X2	G1.1/2"-11	38		22	22	64	55	60

METRIC MALE 24°/BSP MALE 60°CONE

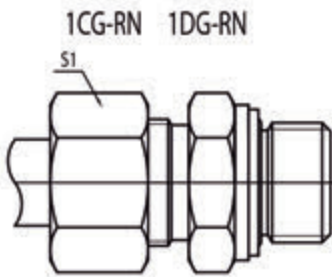
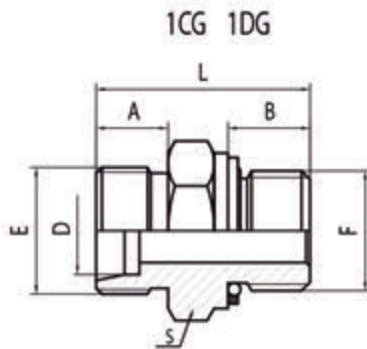
Part No.	Thread		TUBE O.D		Dimensions				
	E	F	D		A	B	L	S	S1
1CB-12-02	M12X1.5	G1/8"-28	6		10	8	24	14	14
1CB-14-04	M14X1.5	G1/4"-19	8		11	12	29	19	17
1CB-16-06	M16X1.5	G3/8"-19	10		11	13.5	32	22	19
1CB-18-06	M18X1.5	G3/8"-19	12		11.5	13.5	33	22	22
1CB-22-08	M22X1.5	G1/2"-14	15		12.5	16	36.5	27	27
1CB-26-08	M26X1.5	G1/2"-14	18		12.5	16	36.5	27	32
1CB-30-12	M30X2	G3/4"-14	22		14	18	41	32	36
1CB-36-16	M36X2	G1"-11	28		15	19	43	41	41
1CB-45-20	M45X2	G1.1/4"-11	35		16	20	48	50	50
1CB-52-24	M52X2	G1.1/2"-11	42		16	22	52	55	60
1DB-14-04	M14X1.5	G1/4"-19	6		12	12	32	19	17
1DB-16-04	M16X1.5	G1/4"-19	8		12	12	32	19	19
1DB-18-06	M18X1.5	G3/8"-19	10		12	13.5	33.5	22	22
1DB-20-06	M20X1.5	G3/8"-19	12		12	13.5	33.5	22	24
1DB-22-08	M22X1.5	G1/2"-14	14		14	16	40	27	27
1DB-24-08	M24X1.5	G1/2"-14	16		14	16	40	27	30
1DB-30-12	M36X2	G3/4"-14	20		16	18	46	32	36
1DB-36-16	M36X2	G1"-11	25		18	19	41	50	41
1DB-42-20	M42X2	G1.1/4"-11	30		20	20	54	50	50
1DB-52-24	M52X2	G1.1/2"-11	38		22	22	60	55	60

In case if you are interested to order the adapter in complete set with cutting ring and nut, it is necessary to insert suffix "RN" after our part NO, for example 1CB-22-08WD/RN.

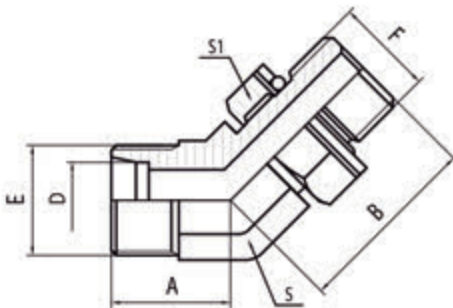
D. METRIC TUBE ADAPTERS



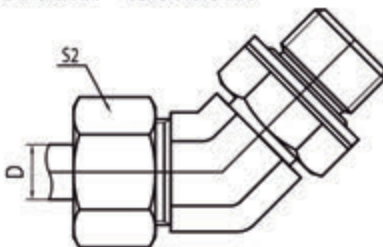
METRIC MALE 24°/BSP MALE CAPTIVE SEAL



1CG4-OG 1DG4-OG



1CG4-OG RN 1DG4-OG RN



Part No.	Thread		TUBE O.D		Dimensions				
	E	F	D		A	B	L	S	S1
1CG-12-02	M12X1.5	G1/8"-28	6		10	8	24.5	14	14
1CG-12-04	M12X1.5	G1/4"-19	6		10	12	29	19	14
1CG-14-04	M14X1.5	G1/4"-19	8		10	12	29	19	17
1CG-16-04	M16X1.5	G1/4"-19	10		11	12	30.5	19	19
1CG-16-06	M16X1.5	G3/8"-19	10		11	12	31.5	22	19
1CG-18-06	M18X1.5	G3/8"-19	12		11.5	12	32	22	22
1CG-18-08	M18X1.5	G1/2"-14	12		11.5	14	34	27	22
1CG-22-08	M22X1.5	G1/2"-14	15		12.5	14	35	27	27
1CG-22-10	M22X1.5	G5/8"-14	15		12.5	15	37	30	27
1CG-26-08	M26X1.5	G1/2"-14	18		12.5	14	35	27	32
1CG-26-12	M26X1.5	G3/4"-14	18		12.5	16	38.5	32	32
1CG-30-12	M30X2	G3/4"-14	22		14	16	40	32	36
1CG-36-12	M36X2	G3/4"-14	28		15	16	41	41	41
1CG-36-16	M36X2	G1"-11	28		15	18	43	41	41
1CG-45-20	M45X2	G1.1/4"-11	35		16	20	48	50	50
1CG-45-24	M45X2	G1.1/2"-11	35		16	22	52	55	50
1CG-52-24	M52X2	G1.1/2"-11	42		16	22	54	55	60
1DG-22-08	M22X1.5	G1/2"-14	14		14	14	41	27	27
1DG-24-08	M24X1.5	G1/2"-14	16		14	14	41	27	30
1DG-30-12	M30X2	G3/4"-14	20		16	16	47	32	36
1DG-36-12	M36X2	G3/4"-14	25		18	16	50	41	41
1DG-36-16	M36X2	G1"-11	25		18	18	53	41	41
1DG-42-20	M42X2	G1.1/4"-11	30		20	20	57	50	50
1DG-52-24	M52X2	G1.1/2"-11	38		22	22	64	55	60

45°METRIC MALE 24°/BSP MALE ADJUSTABLE STUD END

Part No.	Thread		TUBE O.D		Dimensions				
	E	F	D		A	B	S	S1	S2
1CG4-12-02 OG	M12X1.5	G1/8"-28	6		17	23	11	14	14
1CG4-14-04 OG	M14X1.5	G1/4"-19	8		17	28	14	19	17
1CG4-16-06 OG	M16X1.5	G3/8"-19	10		20	32	19	22	19
1CG4-18-06 OG	M18X1.5	G3/8"-19	12		20	32	19	22	22
1CG4-22-08 OG	M22X1.5	G1/2"-14	15		23	37	22	27	27
1CG4-26-08 OG	M26X1.5	G1/2"-14	18		25	42	27	27	32
1CG4-30-12 OG	M30X2	G3/4"-14	22		27.5	42	30	32	36
1CG4-36-16 OG	M36X2	G1"-11	28		30	45	33	41	41
1CG4-45-20 OG	M45X2	G1.1/4"-11	35		34.5	47	41	50	50
1DG4-20-06 OG	M20X1.5	G3/8"-19	12		21	32	19	22	24
1DG4-22-08 OG	M22X1.5	G1/2"-14	14		24.5	37	22	27	27
1DG4-24-08 OG	M24X1.5	G1/2"-14	16		26.5	42	27	27	30
1DG4-30-12 OG	M30X2	G3/4"-14	20		28.5	42	27	32	36
1DG4-36-16 OG	M36X2	G1"-11	25		33	45	33	41	41
1DG4-42-20 OG	M42X2	G1.1/4"-11	30		38.5	47	41	50	50

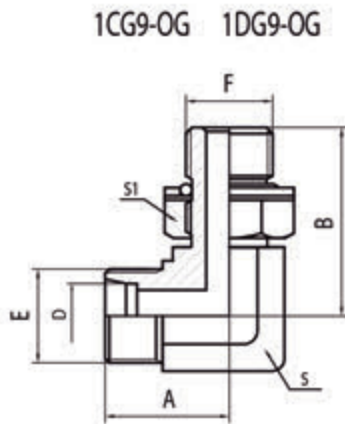
In case if you are interested to order the adapter in complete set with cutting ring and nut, it is necessary to insert suffix "RN" after our part NO, for example 1DG-22-08 RN.

Please add "TO" after the part number if there is nowasher out of the O-ring on the product, for example 1CH4-22-08 OG/TO

D. METRIC TUBE ADAPTERS

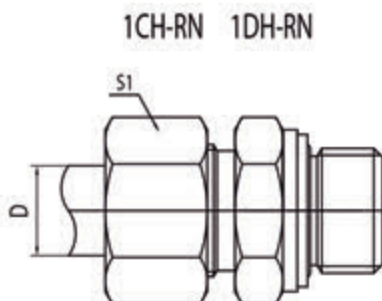
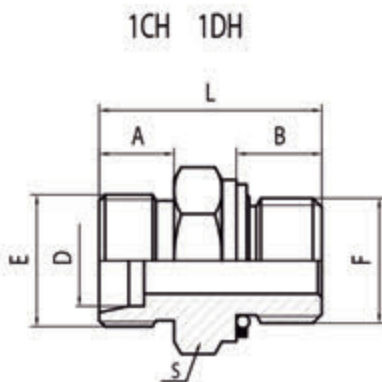


90°METRIC MALE 24°/BSP MALE ADJUSTABLE STUD END



Part No.	Thread		TUBE O.D		Dimensions				
	E	F	D		A	B	S	S1	S2
1CG9-12-02OG	M12X1.5	G1/8"-28	6		19	26.5	11	14	14
1CG9-14-04OG	M14X1.5	G1/4"-19	8		22	32	14	19	17
1CG9-16-06OG	M16X1.5	G3/8"-19	10		25	36	19	22	19
1CG9-18-06OG	M18X1.5	G3/8"-19	12		25	36	19	22	22
1CG9-22-08OG	M22X1.5	G1/2"-14	15		29	44	22	27	27
1CG9-26-08OG	M26X1.5	G1/2"-14	18		34	48	27	27	32
1CG9-30-12OG	M30X2	G3/4"-14	22		36	50	30	32	36
1CG9-36-16OG	M36X2	G1"-11	28		39	55.5	33	41	41
1CG9-45-20OG	M45X2	G1.1/4"-11	35		47	57	41	50	50
1DG9-20-06OG	M20X1.5	G3/8"-19	12		25	36	19	22	24
1DG9-22-08OG	M22X1.5	G1/2"-14	14		30.5	44	22	27	27
1DG9-24-08OG	M24X1.5	G1/2"-14	16		33	48	27	27	30
1DG9-30-12OG	M30X2	G3/4"-14	20		37	50	30	32	36
1DG9-36-16OG	M36X2	G1"-11	25		42	55.5	33	41	41
1DG9-42-20OG	M42X2	G1.1/4"-11	30		50	57	41	50	50

METRIC MALE 24°/MALE O-RING SEAL



Part No.	Thread		TUBE O.D		Dimensions				
	E	F	D		A	B	L	S	S1
1CH-12-10	M12X1.5	M10X1	6		10	8	24.5	14	17
1CH-14-12	M14X1.5	M12X1.5	8		10	12	29	17	19
1CH-14-14	M14X1.5	M14X1.5	8		10	12	30	19	17
1CH-16-16	M16X1.5	M16X1.5	10		11	12	32	22	19
1CH-18-16	M18X1.5	M16X1.5	12		11.5	12	32.5	22	22
1CH-18-18	M18X1.5	M18X1.5	12		11.5	12	32.5	24	22
1CH-22-18	M22X1.5	M18X1.5	15		12.5	12	33.5	24	27
1CH-22-20	M22X1.5	M20X1.5	15		12.5	12	34.5	27	27
1CH-22-22	M22X1.5	M22X1.5	15		12.5	15	37.5	27	27
1CH-26-22	M26X1.5	M22X1.5	18		12.5	15	37.5	27	32
1CH-26-26	M26X1.5	M26X1.5	18		12.5	16	38.5	32	32
1CH-26-27	M26X1.5	M27X2	18		12.5	16	40.5	32	32
1CH-30-22	M30X2	M22X1.5	22		14	15	39	32	36
1CH-30-26	M30X2	M26X1.5	22		14	16	40.5	32	36
1CH-30-27	M30X2	M27X2	22		14	16	40	32	36
1CH-36-33	M36X2	M33X2	28		15	18	44	41	41
1CH-45-42	M45X2	M42X2	35		16	20	50	50	50
1CH-52-48	M52X2	M48X2	42		16	22	55	55	60
1DH-20-18	M20X1.5	M18X1.5	12		12	12	34	24	24
1DH-22-22	M22X1.5	M22X1.5	14		14	15	39.5	27	27
1DH-24-22	M24X1.5	M22X1.5	16		14	15	41	27	30
1DH-30-27	M30X2	M27X2	20		16	16	46	32	36
1DH-36-33	M36X2	M33X2	25		18	18	53	41	41
1DH-42-42	M42X2	M42X2	30		20	20	57	50	50
1DH-42-48	M42X2	M48X2	30		20	22	59	55	50

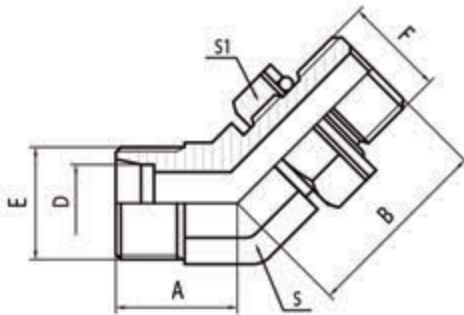
Please add "TO" after the part number if there is no washer out of the O-ring on the product, for example 1CH-26-22 TO, 1CG9-22-08 OG/TO

D. METRIC TUBE ADAPTERS



45°METRIC MALE 24°/ MALE ADJUSTABLE STUD END

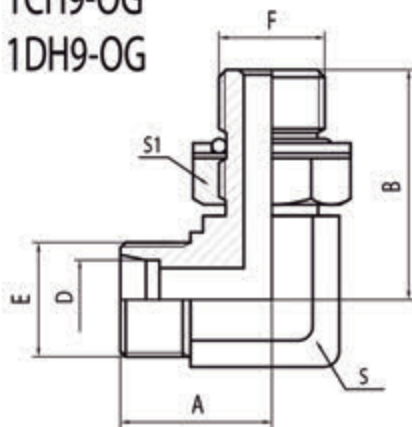
1CH4-OG 1DH4-OG



Part No.	Thread		TUBE O.D D	Dimensions				
	E	F		A	B	S	S1	S2
1CH4-12-10 OG	M12X1.5	M10X1	6	17	24	11	14	14
1CH4-14-12 OG	M14X1.5	M12X1.5	8	17	28	14	17	17
1CH4-16-14 OG	M16X1.5	M14X1.5	10	18	28	14	19	19
1CH4-18-16 OG	M18X1.5	M16X1.5	12	20	32	19	22	22
1CH4-22-18 OG	M22X1.5	M18X1.5	15	23	32	22	24	27
1CH4-26-22 OG	M26X1.5	M22X1.5	18	25	38	27	27	32
1CH4-30-27 OG	M30X2	M27X2	22	27.5	42	30	32	36
1CH4-36-33 OG	M36X2	M33X2	28	30	43	33	41	41
1CH4-45-42 OG	M45X2	M42X2	35	34.5	47	41	50	50
1DH4-20-18 OG	M20X1.5	M18X1.5	12	21	32	19	24	24
1DH4-24-22 OG	M24X1.5	M22X1.5	16	24.5	32	22	27	30
1DH4-30-27 OG	M30X2	M27X2	20	28.5	42	27	32	36
1DH4-36-33 OG	M36X2	M33X2	25	33	45	33	41	41
1DH4-42-42 OG	M42X2	M42X2	30	38.5	47	41	50	50

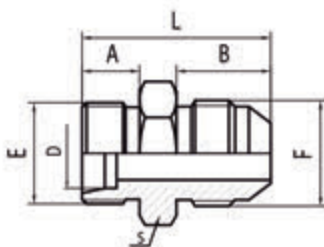
90°METRIC MALE 24°/MALE ADJUSTABLE STUD END

1CH9-OG
1DH9-OG

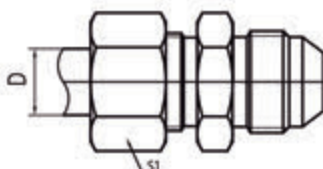


Part No.	Thread		TUBE O.D D	Dimensions				
	E	F		A	B	S	S1	S2
1CH9-12-10 OG	M12X1.5	M10X1	6	19	26.5	11	14	14
1CH9-14-12 OG	M14X1.5	M12X1.5	8	22	32	14	17	17
1CH9-16-14 OG	M16X1.5	M14X1.5	10	23	34	14	19	19
1CH9-18-16 OG	M18X1.5	M16X1.5	12	25	35	19	22	22
1CH9-22-18 OG	M22X1.5	M18X1.5	15	29	39.5	22	24	27
1CH9-26-22 OG	M26X1.5	M22X1.5	18	32	46	27	27	32
1CH9-30-27 OG	M30X2	M27X2	22	38	51	30	32	36
1CH9-36-33 OG	M36X2	M33X2	28	39	54	33	41	41
1DH9-20-18 OG	M20X1.5	M18X1.5	12	25	37	19	24	24
1DH9-24-22 OG	M24X1.5	M22X1.5	16	33	44	27	27	30
1DH9-30-27 OG	M30X2	M27X2	20	38	51	30	32	36
1DH9-36-33 OG	M36X2	M33X2	25	43	54	33	41	41
1DH9-42-42 OG	M42X2	M42X2	30	50	57	41	50	50

1CJ 1DJ



1CJ-RN 1DJ-RN



METRIC MALE 24°/JIC MALE 74°CONE

Part No.	Thread		TUBE O.D D	Dimensions				
	E	F		A	B	L	S	S1
1CJ-12-04	M12X1.5	U7/16"-20	6	10	14	29	12	14
1CJ-14-04	M14X1.5	U7/16"-20	8	11	14	31	14	17
1CJ-18-06	M18X1.5	U9/16"-18	12	11.5	14.1	31.5	19	22
1CJ-22-08	M22X1.5	U3/4"-16	15	12.5	16.7	37.5	24	27
1CJ-26-10	M26X1.5	U7/8"-14	18	12.5	19.3	40.5	27	32
1CJ-30-12	M30X2	U1.1/16"-12	22	14	21.9	46	32	36
1CJ-36-16	M36X2	U1.5/16"-12	28	15	23.1	50	41	41

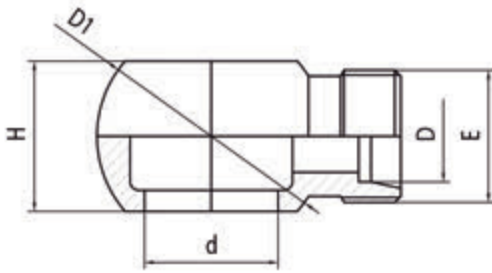
if you are interested to order the adapter in complete set with cutting ring and nut, it is necessary to insert suffix "RN" after our part NO, for example "1CH9-22-18 OG/RN".

Please add "TO" after the part number if there is no washer out of the O-ring on the product, for example "1CH9-22-18 OG/TO"

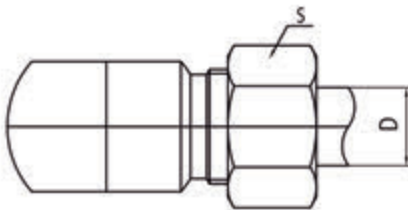
D. METRIC TUBE ADAPTERS



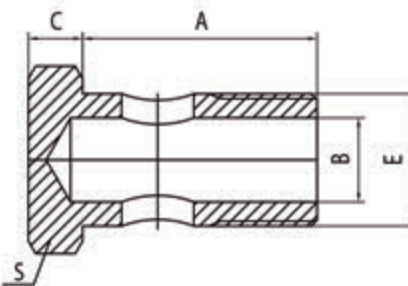
1CL 1DL



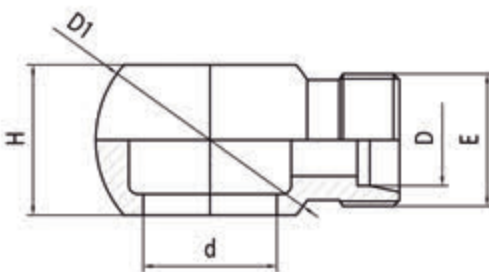
1CL-RN 1DL-RN



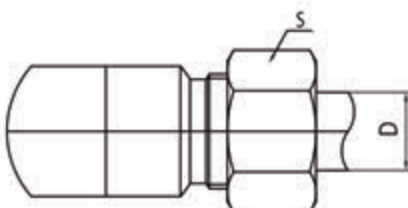
700M



1CL-B 1DL-B



1CL-B RN 1DL-B RN



METRIC MALE 24°BANJO

Part No.	Thread		TUBE O.D	BOLT	Dimensions			
	E				D1	d	H	S
1CL-12-10	M12X1.5		6	700M-10	17	10	10	14
1CL-14-12	M14X1.5		8	700M-12	20	12	12	17
1CL-16-14	M16X1.5		10	700M-14	24	14	14	19
1CL-18-16	M18X1.5		12	700M-16	28	16	18	22
1CL-22-18	M22X1.5		15	700M-18	32	18	20	27
1CL-26-22	M26X1.5		18	700M-22	38	22	25	32
1CL-30-26	M30X2		22	700M-26	46	26	30	36
1DL-14-12	M14X1.5		6	700M-12	20	12	12	17
1DL-16-14	M16X1.5		8	700M-14	24	14	14	19
1DL-18-16	M18X1.5		10	700M-16	28	16	18	22
1DL-20-18	M20X1.5		12	700M-18	32	18	20	24
1DL-22-18	M22X1.5		14	700M-18	32	18	20	27
1DL-24-22	M24X1.5		16	700M-22	38	22	25	30
1DL-30-26	M30X2		20	700M-26	46	26	30	36

METRIC BOLT

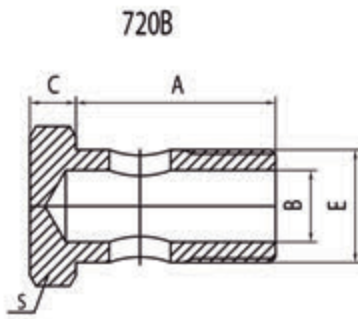
Part No.	Thread		Dimensions			
	E		A	B	C	S
700M-10	M10X1		20	5	6	14
700M-12	M12X1.5		24	6	6	17
700M-14	M14X1.5		26	8	7	19
700M-16	M16X1.5		28	9	7.5	22
700M-18	M18X1.5		32	9.5	8	24
700M-22	M22X1.5		39	14	9	27
700M-26	M26X1.5		45	18	10	32
700M-30	M30X2		55	22	11	36

METRIC MALE 24°/BSP BANJO

Part No.	Thread		TUBE O.D	BOLT	Dimensions			
	E				D1	d	H	S
1CL-12-B02	M12X1.5		6	720B-02	22	9.9	16	14
1CL-14-B04	M14X1.5		8	720B-04	24	13.3	15	17
1CL-16-B04	M16X1.5		10	720B-04	24	13.3	15	19
1CL-18-B06	M18X1.5		12	720B-06	29	16.7	20	22
1CL-22-B08	M22X1.5		15	720B-08	38	21	25	27
1CL-26-B08	M26X1.5		18	720B-08	38	21	25	32
1CL-30-B12	M30X2		22	720B-12	46	26.5	31	36
1DL-14-B04	M14X1.5		6	720B-04	24	13.3	15	17
1DL-16-B04	M16X1.5		8	720B-04	24	13.3	15	19
1DL-18-B06	M18X1.5		10	720B-06	29	16.7	20	22
1DL-20-B06	M20X1.5		12	720B-06	29	16.7	20	24
1DL-22-B08	M22X1.5		14	720B-08	38	21	25	27
1DL-24-B08	M24X1.5		16	720B-08	38	21	25	30
1DL-30-B12	M30X2		20	720B-12	46	26.5	31	36

if you are interested to order the adapter in complete set with cutting ring and nut, it is necessary to insert suffix "RN" after our part NO, for example "1CL-22-B08 RN".

D. METRIC TUBE ADAPTERS

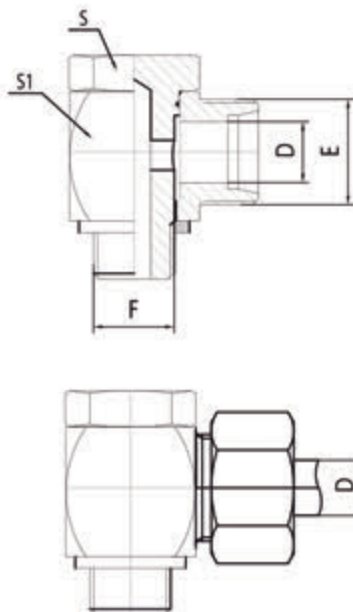


BSP BOLT

Part No.	Thread		Dimensions			
	E		A	B	C	S
720B-02	G1/8"-28		29.5	4.8	5	14
720B-04	G1/4"-19		28.5	6	6	19
720B-06	G3/8"-19		38.5	9	7	22
720B-08	G1/2"-14		44	13	8.5	27
720B-12	G3/4"-14		56	16	10	32
720B-16	G1"-11		68.5	22	12.5	41

1CL 1CL-RN
1DL 1DL-RN

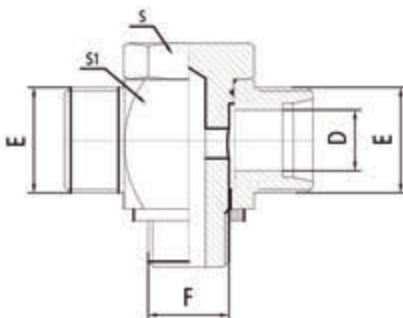
METRIC MALE BANJO



Part No.	Thread		TUBE O.D	BOLT				
	E	F						
1CL-12-10T	M12X1.5	M10X1	6	700M-10F				
1CL-14-12T	M14X1.5	M12X1.5	8	700M-12F				
1CL-16-14T	M16X1.5	M14X1.5	10	700M-14F				
1CL-18-16T	M18X1.5	M16X1.5	12	700M-16F				
1CL-22-18T	M22X1.5	M18X1.5	15	700M-18F				
1CL-26-22T	M26X1.5	M22X1.5	18	700M-22F				
1CL-30-26T	M30X2	M26X1.5	22	700M-26F				
1CL-36-33T	M36X2	M33X2	28	700M-33F				
1CL-45-42T	M45X2	M42X2	35	700M-42F				
1CL-52-48T	M52X2	M48X2	42	700M-48F				
1DL-20-18T	M20X1.5	M18X1.5	12	700M-18F				
1DL-22-20T	M22X1.5	M20X1.5	14	700M-20F				
1DL-24-22T	M24X1.5	M22X1.5	16	700M-22F				
1DL-30-27T	M30X2	M27X2	20	700M-27F				
1DL-36-33T	M36X2	M33X2	25	700M-33F				
1DL-42-42T	M42X2	M42X2	30	700M-42F				
1DL-52-48T	M52X2	M48X2	38	700M-48F				

METRIC MALE BANJO

ACLC ACLC-RN
ADLD ADLD-RN



Part No.	Thread		TUBE O.D	BOLT				
	E	F						
ACLC-12-10-12T	M12X1.5	M10X1	6	700M-10F				
ACLC-14-12-14T	M14X1.5	M12X1.5	8	700M-12F				
ACLC-16-14-16T	M16X1.5	M14X1.5	10	700M-14F				
ACLC-18-16-18T	M18X1.5	M16X1.5	12	700M-16F				
ACLC-22-18-22T	M22X1.5	M18X1.5	15	700M-18F				
ACLC-26-22-26T	M26X1.5	M22X1.5	18	700M-22F				
ACLC-30-26-30T	M30X2	M26X1.5	22	700M-26F				
ADLD-20-18-20T	M20X1.5	M18X1.5	12	700M-18F				
ADLD-22-18-22T	M22X1.5	M18X1.5	14	700M-18F				
ADLD-24-22-24T	M24X1.5	M22X1.5	16	700M-22F				
ADLD-30-26-30T	M30X2	M26X1.5	20	700M-26F				

if you are interested to order the adapter in complete set with cutting ring and nut, it is necessary to insert suffix "RN" after our part NO, for example "ACLC-22-18-22 T/RN".

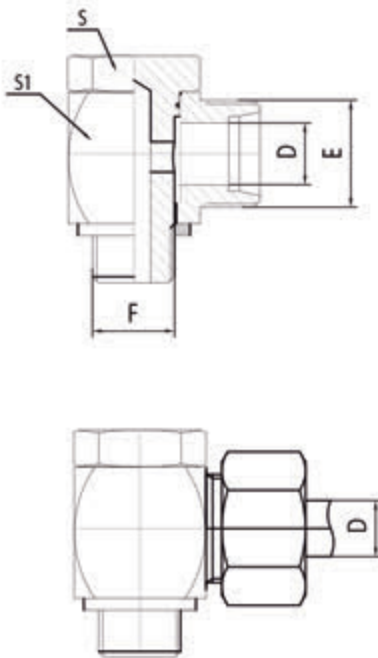
D. METRIC TUBE ADAPTERS



METRIC MALE/BSP BANJO

1CL- B
1DL- B

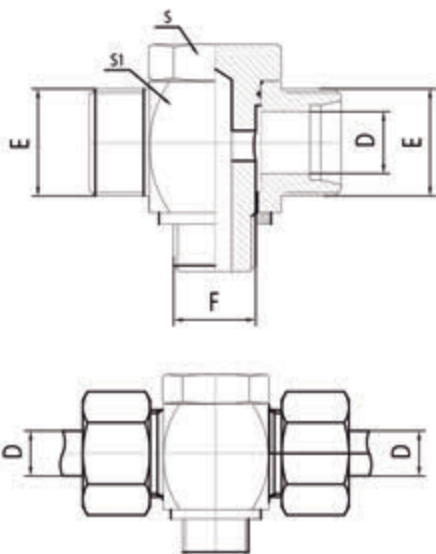
1CL- BRN
1DL- BRN



Part No.	Thread		TUBE O.D	BOLT				
	E	F						
1CL-12-B02T	M12X1.5	G1/8"-28	6	720B-02F				
1CL-14-B04T	M14X1.5	G1/4"-19	8	720B-04F				
1CL-16-B04T	M16X1.5	G1/4"-19	10	720B-04F				
1CL-18-B06T	M18X1.5	G3/8"-19	12	720B-06F				
1CL-22-B08T	M22X1.5	G1/2"-14	15	720B-08F				
1CL-26-B08T	M26X1.5	G1/2"-14	18	720B-08F				
1CL-30-B12T	M30X2	G3/4"-14	22	720B-12F				
1CL-36-B16T	M36X2	G1"-11	28	720B-16F				
1CL-45-B20T	M45X2	G1.1/4"-11	35	720B-20F				
1CL-52-B24T	M52X2	G1.1/2"-11	42	720B-24F				
1DL-14-B04T	M14X1.5	G1/4"-19	6	720B-04F				
1DL-16-B04T	M16X1.5	G1/4"-19	8	720B-04F				
1DL-18-B06T	M18X1.5	G3/8"-19	10	720B-06F				
1DL-20-B06T	M20X1.5	G3/8"-19	12	720B-06F				
1DL-22-B08T	M22X1.5	G1/2"-14	14	720B-08F				
1DL-24-B08T	M24X1.5	G1/2"-14	16	720B-08F				
1DL-30-B12T	M30X2	G3/4"-14	20	720B-12F				
1DL-36-B16T	M36X2	G1"-11	25	720B-16F				
1DL-42-B20T	M42X2	G1.1/4"-11	30	720B-20F				
1DL-52-B24T	M52X2	G1.1/2"-11	38	720B-24F				

ACLC-B
ADLD-B

ACLC- BRN
ADLD- BRN



METRIC MALE/BSP BANJO

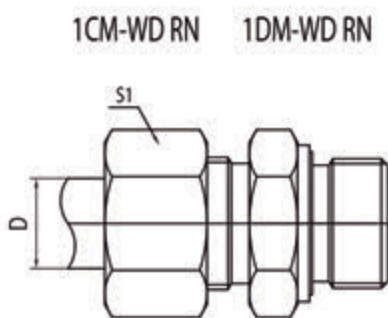
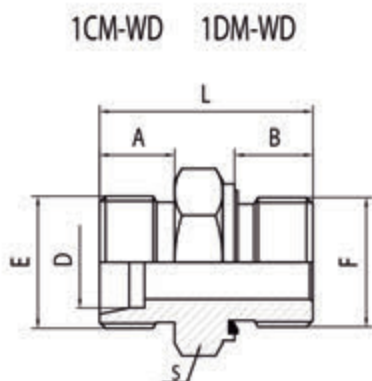
Part No.	Thread		TUBE O.D	BOLT				
	E	F						
ACLC-12-B02-12T	M12X1.5	G1/8"-28	6	720B-02F				
ACLC-14-B04-14T	M14X1.5	G1/4"-19	8	720B-04F				
ACLC-16-B04-16T	M16X1.5	G1/4"-19	10	720B-04F				
ACLC-18-B06-18T	M18X1.5	G3/8"-19	12	720B-06F				
ACLC-22-B08-22T	M22X1.5	G1/2"-14	15	720B-08F				
ACLC-26-B08-26T	M26X1.5	G1/2"-14	18	720B-08F				
ACLC-30-B12-30T	M30X2	G3/4"-14	22	720B-12F				
ADLD-14-B04-14T	M14X1.5	G1/4"-19	6	720B-04F				
ADLD-16-B04-16T	M16X1.5	G1/4"-19	8	720B-04F				
ADLD-18-B06-18T	M18X1.5	G3/8"-19	10	720B-06F				
ADLD-20-B06-20T	M20X1.5	G3/8"-19	12	720B-06F				
ADLD-22-B08-22T	M22X1.5	G1/2"-14	14	720B-08F				
ADLD-24-B08-24T	M24X1.5	G1/2"-14	16	720B-08F				
ADLD-30-B12-30T	M30X2	G3/4"-14	20	720B-12F				

if you are interested to order the adapter in complete set with cutting ring and nut, it is necessary to insert suffix "RN" after our part NO, for example "ACLC-22-B08-22 T/RN".

D. METRIC TUBE ADAPTERS

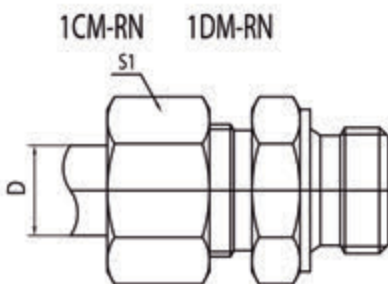
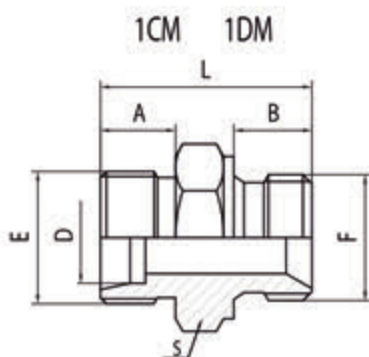


METRIC MALE 24°/ CAPTIVE SEAL



Part No.	Thread		TUBE O.D		Dimensions				
	E	F	D		A	B	L	S	S1
1CM-12-10WD	M12X1.5	M10X1	6		10	8	24.5	14	14
1CM-14-12WD	M14X1.5	M12X1.5	8		10	12	30	17	17
1CM-16-14WD	M16X1.5	M14X1.5	10		11	12	30.5	19	19
1CM-18-16WD	M18X1.5	M16X1.5	12		11.5	12	31.5	22	22
1CM-18-18WD	M18X1.5	M18X1.5	12		11.5	12	32.5	24	22
1CM-22-16WD	M22X1.5	M16X1.5	15		12.5	12	33	24	27
1CM-22-18WD	M22X1.5	M18X1.5	15		12.5	12	33	24	27
1CM-22-20WD	M22X1.5	M20X1.5	15		12.5	14	37	27	27
1CM-22-22WD	M22X1.5	M22X1.5	15		12.5	14	36.5	27	27
1CM-26-22WD	M26X1.5	M22X1.5	18		12.5	14	37	27	32
1CM-30-26WD	M30X2	M26X1.5	22		14	16	40	32	36
1CM-30-27WD	M30X2	M27X2	22		14	16	40	32	36
1CM-36-33WD	M36X2	M33X2	28		15	18	44.5	41	41
1CM-45-42WD	M45X2	M42X2	35		16	20	48	50	50
1CM-52-48WD	M52X2	M48X2	42		16	22	52	55	60
1DM-20-22WD	M20X1.5	M22X1.5	12		12	14	39	27	24
1DM-24-22WD	M24X1.5	M22X1.5	16		14	14	41	27	30
1DM-30-27WD	M30X2	M27X2	20		16	16	47	32	36
1DM-36-27WD	M36X2	M27X2	25		18	16	51	41	41
1DM-36-33WD	M36X2	M33X2	25		18	18	53	41	41
1DM-42-42WD	M42X2	M42X2	30		20	20	57	50	50
1DM-52-42WD	M52X2	M42X2	38		22	20	62	55	60
1DM-52-48WD	M52X2	M48X2	38		22	22	64	55	60

METRIC MALE 24°/60° CONE BONDED SEAL



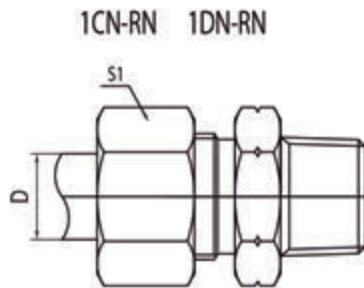
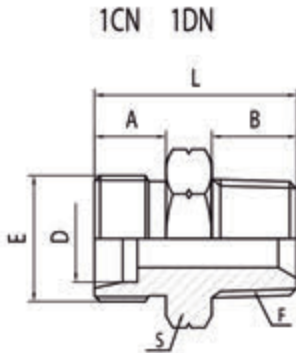
Part No.	Thread		TUBE O.D		Dimensions				
	E	F	D		A	B	L	S	S1
1CM-12-10	M12X1.5	M10X1	6		10	8	26	14	14
1CM-14-12	M14X1.5	M12X1.5	8		11	10	29.5	17	17
1CM-16-14	M16X1.5	M14X1.5	10		11	11	30	19	19
1CM-18-18	M18X1.5	M18X1.5	12		11.5	12	32.5	24	22
1CM-22-22	M22X1.5	M22X1.5	15		12.5	14	36	27	27
1CM-26-22	M26X1.5	M22X1.5	18		12.5	14	36	27	32
1CM-30-27	M30X2	M27X1.5	22		14	14	41	36	36
1CM-36-33	M36X2	M33X2	28		14	18	47	41	41
1CM-45-42	M45X2	M42X2	35		16	18	51	50	50
1CM-52-48	M52X2	M48X2	42		16	20	53	55	60
1DM-20-18	M20X1.5	M18X1.5	12		12	12	36	24	24
1DM-22-20	M22X1.5	M20X1.5	14		14	14	40	27	27
1DM-24-22	M24X1.5	M22X1.5	16		14	14	40	27	30
1DM-30-27	M30X2	M27X1.5	20		16	14	45	32	36
1DM-36-33	M36X2	M33X2	25		18	18	53	41	41
1DM-42-42	M42X2	M42X2	30		20	18	55	46	50
1DM-52-48	M52X2	M48X2	38		22	20	62	55	60

If you are interested to order the adapter in complete set with cutting ring and nut, it is necessary to insert suffix "RN" after our part NO, for example 1CM-22-22 RN.



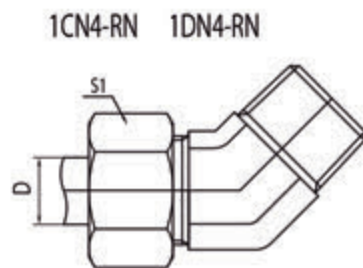
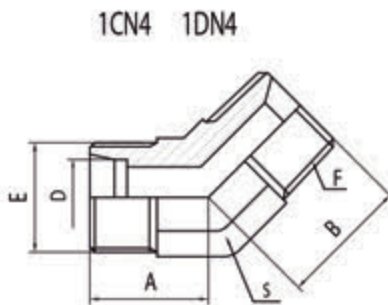
METRIC MALE 24°/NPT MALE L/H.T

Part No.	Thread		TUBE O.D	Dimensions				
	E	F		A	B	L	S	S1
1CN-12-02	M12X1.5	Z1/8"-27	6	10	10	25	12	14
1CN-12-04	M12X1.5	Z1/4"-18	6	10	14.5	30	17	14
1CN-14-02	M14X1.5	Z1/8"-27	8	10	10	25	14	17
1CN-14-04	M14X1.5	Z1/4"-18	8	10	14.5	30	17	17
1CN-14-06	M14X1.5	Z3/8"-18	8	10	14.5	30	19	17
1CN-16-04	M16X1.5	Z1/4"-18	10	11	14.5	31	17	19
1CN-16-06	M16X1.5	Z3/8"-18	10	11	14.5	32	19	19
1CN-18-06	M18X1.5	Z3/8"-18	12	11.5	14.5	32.5	19	22
1CN-18-08	M18X1.5	Z1/2"-14	12	11.5	19.5	37.5	22	22
1CN-22-08	M22X1.5	Z1/2"-14	15	12.5	19.5	38.5	24	27
1CN-26-12	M26X1.5	Z3/4"-14	18	12.5	19.5	39.5	27	32
1CN-30-12	M30X2	Z3/4"-14	22	14	19.5	41	32	36
1CN-36-16	M36X2	Z1"-11.5	28	15	24.5	48	41	41
1CN-45-20	M45X2	Z1.1/4"-11.5	35	16	25	53	46	50
1CN-52-24	M52X2	Z1.1/2"-11.5	42	16	26	55	55	60
1DN-20-06	M20X1.5	Z3/8"-18	12	12	14.5	37	22	24
1DN-20-08	M20X1.5	Z1/2"-14	12	12	19.5	42	22	24
1DN-22-06	M22X1.5	Z3/8"-18	14	14	14.5	38.5	24	27
1DN-22-08	M22X1.5	Z1/2"-14	14	14	19.5	43.5	24	27
1DN-24-08	M24X1.5	Z1/2"-14	16	14	19.5	44	27	27
1DN-30-12	M30X2	Z3/4"-14	20	16	19.5	48	32	36
1DN-36-16	M36X2	Z1"-11.5	25	18	24.5	57	41	41
1DN-42-20	M42X2	Z1.1/4"-11.5	30	20	25	59.5	46	50
1DN-42-24	M42X2	Z1.1/2"-11.5	30	20	25	59.5	50	50
1DN-52-24	M52X2	Z1.1/2"-11.5	38	22	26	65	55	60



45°METRIC MALE 24°/NPT MALE

Part No.	Thread		TUBE O.D	Dimensions			
	E	F		A	B	S	S1
1CN4-12-02	M12X1.5	Z1/8"-27	6	17.5	17.5	11	14
1CN4-14-04	M14X1.5	Z1/4"-18	8	19	21	14	17
1CN4-16-06	M16X1.5	Z3/8"-18	10	19	21	17	19
1CN4-18-06	M18X1.5	Z3/8"-18	12	20	22	19	22
1CN4-22-08	M22X1.5	Z1/2"-14	15	22	28	22	27
1CN4-26-08	M26X1.5	Z1/2"-14	18	22	28	27	32
1CN4-30-12	M30X2	Z3/4"-14	22	28	32	27	36
1CN4-36-16	M36X2	Z1"-11.5	28	30	37	33	41
1CN4-45-20	M45X2	Z1.1/4"-11.5	35	35	42	44	50
1CN4-52-24	M52X2	Z1.1/2"-11.5	42	37	47	48	60
1DN4-20-08	M20X1.5	Z1/2"-14	12	22	28	22	24
1DN4-22-08	M22X1.5	Z1/2"-14	14	24	28	22	27
1DN4-24-08	M24X1.5	Z1/2"-14	16	24	28	27	30
1DN4-30-12	M30X2	Z3/4"-14	20	29	32	27	36
1DN4-36-16	M36X2	Z1"-11.5	25	33	37	33	41
1DN4-42-20	M42X2	Z1.1/4"-11.5	30	39	42	44	50
1DN4-52-24	M52X2	Z1.1/2"-11.5	38	43	47	48	60

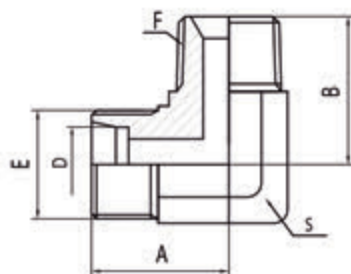


if you are interested to order the adapter in complete set with cutting ring and nut, it is necessary to insert suffix "RN" after our part NO, for example 1CN4-22-08 RN.

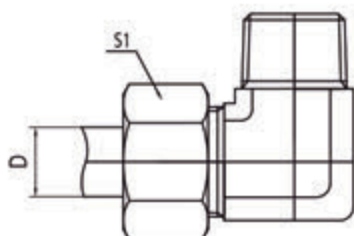
D. METRIC TUBE ADAPTERS



1CN9 1DN9



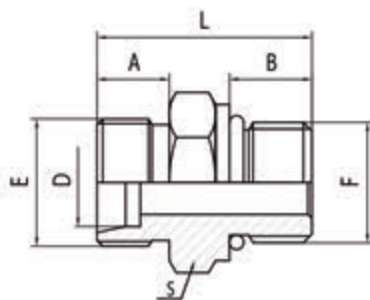
1CN9-RN 1DN9-RN



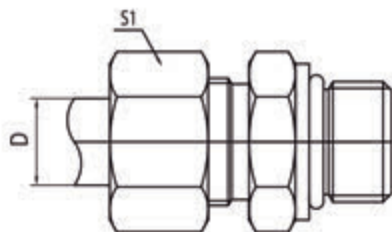
90°METRIC MALE 24°NPT MALE

Part No.	Thread		TUBE O.D	Dimensions			
	E	F		A	B	S	S1
1CN9-12-02	M12X1.5	Z1/8"-27	6	21	21	11	14
1CN9-14-04	M14X1.5	Z1/4"-18	8	22	25	12	17
1CN9-16-06	M16X1.5	Z3/8"-18	10	25	28	17	19
1CN9-18-06	M18X1.5	Z3/8"-18	12	25	28	17	22
1CN9-22-08	M22X1.5	Z1/2"-14	15	32	35	22	27
1CN9-26-12	M26X1.5	Z3/4"-14	18	35	41	27	32
1CN9-30-12	M30X2	Z3/4"-14	22	36	41	27	36
1CN9-36-16	M36X2	Z1"-11.5	28	39	47	33	41
1CN9-45-20	M45X2	Z1.1/4"-11.5	35	47	51	41	50
1CN9-52-24	M52X2	Z1.1/2"-11.5	42	51	58	48	60
1DN9-20-06	M20X1.5	Z3/8"-18	12	29	29	19	24
1DN9-22-08	M22X1.5	Z1/2"-14	14	32	35	22	27
1DN9-24-08	M24X1.5	Z1/2"-14	16	33	37	24	30
1DN9-30-12	M30X2	Z3/4"-14	20	37	41	27	36
1DN9-36-16	M36X2	Z1"-11.5	25	43	47.5	33	41
1DN9-42-20	M42X2	Z1.1/4"-11.5	30	50.5	51	41	50
1DN9-52-20	M52X2	Z1.1/4"-11.5	38	57.5	57.5	48	60
1DN9-52-24	M52X2	Z1.1/2"-11.5	38	57.5	57.5	48	60

1CO 1DO



1CO-RN 1DO-RN



METRIC MALE 24°/SAE MALE O-RING

Part No.	Thread		TUBE O.D	Dimensions				
	E	F		A	B	L	S	S1
1CO-14-04	M14X1.5	U7/16"-20	8	10	9.14	26	17	17
1CO-16-04	M16X1.5	U7/16"-20	10	11	9.14	28	17	19
1CO-18-06	M18X1.5	U9/16"-18	12	11.5	9.93	28.5	19	22
1CO-18-08	M18X1.5	U3/4"-16	12	11.5	11.13	32	24	22
1CO-22-08	M22X1.5	U3/4"-16	15	12.5	11.13	33	24	
1CO-22-10	M22X1.5	U7/8"-14	15	12.5	12.7	35.5	27	27
1CO-26-08	M26X1.5	U3/4"-16	18	12.5	11.13	33	27	32
1CO-26-10	M26X1.5	U7/8"-14	18	12.5	12.7	35.5	27	32
1CO-30-08	M30X2	U3/4"-16	22	14	11.13	34.5	32	36
1CO-30-12	M30X2	U1.1/16"-12	22	14	15.09	39	32	36
1CO-30-16	M30X2	U1.5/16"-12	22	14	15.09	40	41	36
1CO-36-12	M36X2	U1.1/16"-12	28	15	15.09	40	41	41
1CO-36-16	M36X2	U1.5/16"-12	28	15	15.09	41	41	41
1CO-52-20	M52X2	U1.5/8"-12	42	16	15.09	47	55	60
1DO-20-06	M20X1.5	U9/16"-18	12	12	9.93	32	22	24
1DO-20-08	M20X1.5	U3/4"-16	12	12	11.13	33	24	24
1DO-24-08	M24X1.5	U3/4"-16	16	14	11.13	37	27	30
1DO-24-10	M24X1.5	U7/8"-14	16	14	12.7	40	27	30
1DO-30-12	M30X2	U1.1/16"-12	20	16	15.09	46	32	36
1DO-36-12	M36X2	U1.1/16"-12	25	18	15.09	49	41	41
1DO-36-16	M36X2	U1.5/16"-12	25	18	15.09	49	41	41
1DO-42-20	M42X2	U1.5/8"-12	30	20	15.09	52	50	50
1DO-52-20	M52X2	U1.5/8"-12	38	22	15.09	57	55	60

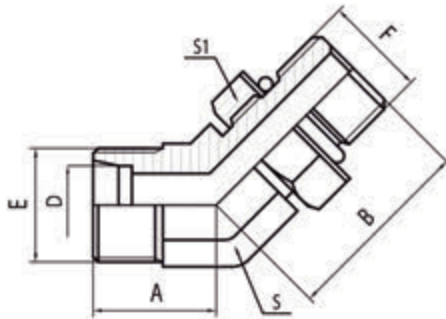
if you are interested to order the adapter in complete set with cutting ring and nut, it is necessary to insert suffix "RN" after our part NO, for example 1CO-22-08 RN, 1DN9-20-06 RN

D. METRIC TUBE ADAPTERS



45°METRIC MALE 24°/SAE MALE ADJUSTABLE STUD

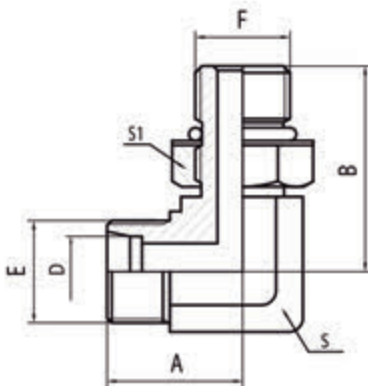
1C04-OG 1D04-OG



Part No.	Thread		TUBE O.D	Dimensions				
	E	F		A	B	S	S1	S2
1C04-12-04 OG	M12X1.5	U7/16"-20	6	17	24	11	17	14
1C04-14-06 OG	M14X1.5	U9/16"-18	8	19	26	14	19	17
1C04-16-06 OG	M16X1.5	U9/16"-18	10	20	26	14	19	19
1C04-18-08 OG	M18X1.5	U3/4"-16	12	20	32	19	24	22
1C04-22-10 OG	M22X1.5	U7/8"-14	15	24	34	22	30	27
1C04-26-12 OG	M26X1.5	U1.1/16"-12	18	25	42	27	32	32
1C04-30-12 OG	M30X2	U1.1/16"-12	22	28	42	30	32	36
1C04-36-16 OG	M36X2	U1.5/16"-12	28	30	42	33	41	41
1C04-45-20 OG	M45X2	U1.5/8"-12	35	35	49	41	50	50
1C04-52-24 OG	M52X2	U1.7/8"-12	42	38	52	48	55	60
1D04-20-08 OG	M20X1.5	U3/4"-16	12	20	32	19	24	24
1D04-22-10 OG	M22X1.5	U7/8"-14	14	25	34	22	30	27
1D04-24-10 OG	M24X1.5	U7/8"-14	16	25	37	24	30	30
1D04-30-12 OG	M30X2	U1.1/16"-12	20	29	42	30	32	36
1D04-36-16 OG	M36X2	U1.5/16"-12	25	33	42	33	41	41
1D04-42-20 OG	M42X2	U1.5/8"-12	30	39	49	41	50	50
1D04-52-24 OG	M52X2	U1.7/8"-12	38	44	52	48	55	60

90°METRIC MALE 24°/SAE MALE O-RING ADJUSTABLE STUD

1C09-OG 1D09-OG



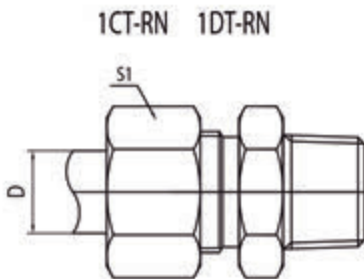
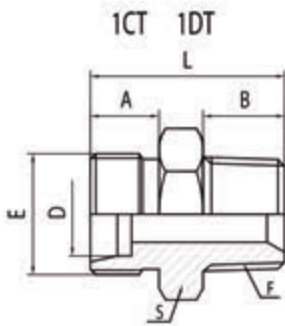
Part No.	Thread		TUBE O.D	Dimensions				
	E	F		A	B	S	S1	S2
1C09-12-04 OG	M12X1.5	U7/16"-20	6	19	26.5	11	17	14
1C09-14-06 OG	M14X1.5	U9/16"-18	8	22	30	14	19	17
1C09-16-06 OG	M16X1.5	U9/16"-18	10	23	30	14	19	19
1C09-18-08 OG	M18X1.5	U3/4"-16	12	25	36	19	24	22
1C09-22-08 OG	M22X1.5	U3/4"-16	15	29	37	22	24	27
1C09-22-10 OG	M22X1.5	U7/8"-14	15	29	44	22	30	27
1C09-26-12 OG	M26X1.5	U1.1/16"-12	18	34	50	27	32	32
1C09-30-12 OG	M30X2	U1.1/16"-12	22	36	50	30	32	36
1C09-36-12 OG	M36X2	U1.1/16"-12	28	39	50	33	32	41
1C09-36-16 OG	M36X2	U1.5/16"-12	28	39	52	33	41	41
1C09-45-20 OG	M45X2	U1.5/8"-12	35	47	61	41	50	50
1C09-52-24 OG	M52X2	U1.7/8"-12	42	52	65	48	55	60
1D09-14-04 OG	M14X1.5	U7/16"-20	6	24	30	14	17	17
1D09-16-06 OG	M16X1.5	U9/16"-18	8	24	30	14	19	19
1D09-18-06 OG	M18X1.5	U9/16"-18	10	25	33	19	19	22
1D09-18-08 OG	M18X1.5	U3/4"-16	10	25	36	19	24	22
1D09-20-08 OG	M20X1.5	U3/4"-16	12	25	36	19	24	24
1D09-22-10 OG	M22X1.5	U7/8"-14	14	30	44	22	30	27
1D09-24-10 OG	M24X1.5	U7/8"-14	16	32	46.5	24	30	30
1D09-30-12 OG	M30X2	U1.1/16"-12	20	37	50	30	32	36
1D09-36-16 OG	M36X2	U1.5/16"-12	25	43	52	33	41	41
1D09-42-20 OG	M42X2	U1.5/8"-12	30	51	61	41	50	50
1D09-52-24 OG	M52X2	U1.7/8"-12	38	57	65	48	55	60

if you are interested to order the adapter in complete set with cutting ring and nut, it is necessary to insert suffix "RN" after our part NO, for example "1C09-22-08 OG/RN".

D. METRIC TUBE ADAPTERS

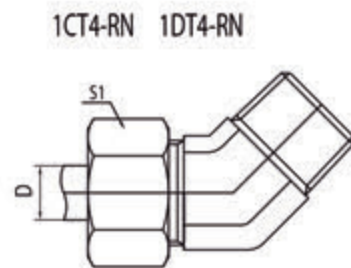
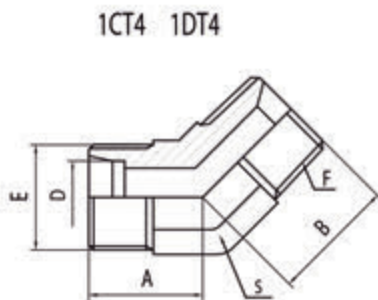


METRIC MALE 24°/BSPT MALE



Part No.	Thread		TUBE O.D		Dimensions				
	E	F	D		A	B	L	S	S1
1CT-12-02	M12X1.5	ZG1/8"-28	6		10	10	25	12	14
1CT-12-04	M12X1.5	ZG1/4"-19	6		10	14.5	30	17	14
1CT-14-02	M14X1.5	ZG1/8"-28	8		10	10	25	14	17
1CT-14-04	M14X1.5	ZG1/4"-19	8		10	14.5	30	17	17
1CT-14-06	M14X1.5	ZG3/8"-19	8		10	14.5	30	19	17
1CT-16-04	M16X1.5	ZG1/4"-19	10		11	14.5	31	17	19
1CT-16-06	M16X1.5	ZG3/8"-19	10		11	14.5	32	19	19
1CT-18-06	M18X1.5	ZG3/8"-19	12		11.5	14.5	32.5	19	22
1CT-22-06	M22X1.5	ZG3/8"-19	15		12.5	14.5	33.5	24	27
1CT-22-08	M22X1.5	ZG1/2"-14	15		12.5	19.5	38.5	24	27
1CT-26-08	M26X1.5	ZG1/2"-14	18		12.5	19.5	39.5	27	32
1CT-26-12	M26X1.5	ZG3/4"-14	18		12.5	19.5	39.5	27	32
1CT-30-12	M30X2	ZG3/4"-14	22		14	19.5	41	32	36
1CT-30-16	M30X2	ZG1"-11	22		14	24.5	47	36	36
1CT-36-16	M36X2	ZG1"-11	28		15	24.5	48	41	41
1CT-45-20	M45X2	ZG1.1/4"-11	35		16	25	53	46	50
1CT-52-24	M52X2	ZG1.1/2"-11	42		16	25	55	55	60
1DT-20-08	M20X1.5	ZG1/2"-14	12		12	19.5	42	22	24
1DT-22-06	M22X1.5	ZG3/8"-19	14		14	14.5	38.5	24	27
1DT-22-08	M22X1.5	ZG1/2"-14	14		14	19.5	43.5	24	27
1DT-24-08	M24X1.5	ZG1/2"-14	16		14	19.5	44	27	30
1DT-30-12	M30X2	ZG3/4"-14	20		16	19.5	48	32	36
1DT-36-12	M36X2	ZG3/4"-14	25		18	19.5	52	41	41
1DT-36-16	M36X2	ZG1"-11	25		18	24.5	57	41	41
1DT-42-16	M42X2	ZG1"-11	30		20	24.5	59	46	50
1DT-42-20	M42X2	ZG1.1/4"-11	30		20	25	59.5	46	50
1DT-52-24	M52X2	ZG1.1/2"-11	38		22	25	65	55	60

45°METRIC MALE 24°/BSPT MALE



Part No.	Thread		TUBE O.D		Dimensions			
	E	F	D		A	B	S	S1
1CT4-12-02	M12X1.5	ZG1/8"-28	6		17.5	17.5	11	14
1CT4-14-04	M14X1.5	ZG1/4"-19	8		19	21	14	17
1CT4-16-06	M16X1.5	ZG3/8"-19	10		19	21	17	19
1CT4-18-06	M18X1.5	ZG3/8"-19	12		20	22	19	22
1CT4-22-08	M22X1.5	ZG1/2"-14	15		22	28	22	27
1CT4-26-08	M26X1.5	ZG1/2"-14	18		22	28	27	32
1CT4-30-12	M30X2	ZG3/4"-14	22		28	32	27	36
1CT4-36-16	M36X2	ZG1"-11	28		30	37	33	41
1CT4-45-20	M45X2	ZG1.1/4"-11	35		35	42	44	50
1CT4-52-24	M52X2	ZG1.1/2"-11	42		37	47	48	60
1DT4-20-08	M20X1.5	ZG1/2"-14	12		22	28	22	24
1DT4-22-08	M22X1.5	ZG1/2"-14	14		24	28	22	27
1DT4-24-08	M24X1.5	ZG1/2"-14	16		24	28	27	30
1DT4-30-12	M30X2	ZG3/4"-14	20		29	32	27	36
1DT4-36-16	M36X2	ZG1"-11	25		33	37	33	41
1DT4-42-20	M42X2	ZG1.1/4"-11	30		39	42	44	50
1DT4-52-24	M52X2	ZG1.1/2"-11	38		43	47	48	60

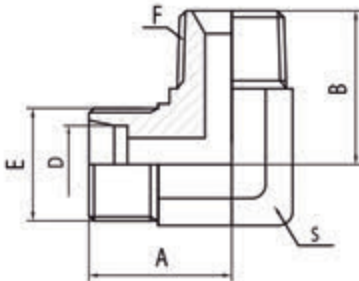
In case if you are interested to order the adapter in complete set with cutting ring and nut, it is necessary to insert suffix "RN" after our part NO, for example 1CT4-22-08 RN.

D. METRIC TUBE ADAPTERS

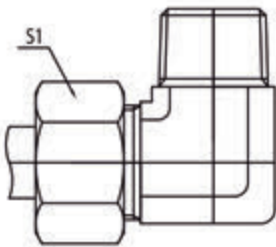


90° METRIC MALE 24°/BSPT MALE

1CT9 1DT9



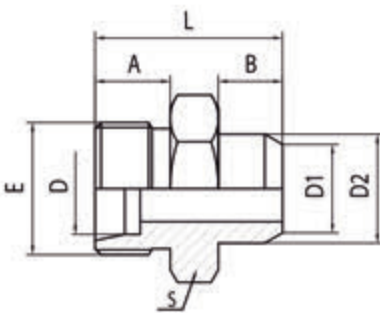
1CT9-RN 1DT9-RN



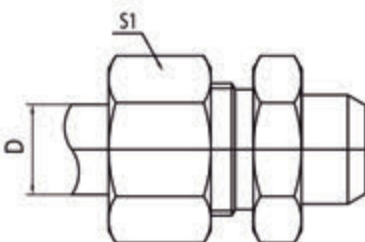
Part No.	Thread		TUBE O.D		Dimensions			
	E	F	D		A	B	S	S1
1CT9-12-02	M12X1.5	ZG1/8"-28	6		21	21	11	14
1CT9-12-04	M12X1.5	ZG1/4"-19	6		22	25	12	14
1CT9-14-04	M14X1.5	ZG1/4"-19	8		22	25	12	17
1CT9-16-04	M16X1.5	ZG1/4"-19	10		23	27.5	14	19
1CT9-16-06	M16X1.5	ZG3/8"-19	10		25	28	17	19
1CT9-18-06	M18X1.5	ZG3/8"-19	12		25	28	17	22
1CT9-22-06	M22X1.5	ZG3/8"-19	15		29	30	22	27
1CT9-22-08	M22X1.5	ZG1/2"-14	15		32	35	22	27
1CT9-26-08	M26X1.5	ZG1/2"-14	18		32	27	24	32
1CT9-26-12	M26X1.5	ZG3/4"-14	18		35	41	27	32
1CT9-30-12	M30X2	ZG3/4"-14	22		36	41	27	36
1CT9-36-16	M36X2	ZG1"-11	28		39	47	33	41
1CT9-45-20	M45X2	ZG1.1/4"-11	35		47	51	41	50
1CT9-52-24	M52X2	ZG1.1/2"-11	42		51	58	48	60
1DT9-20-06	M20X1.5	ZG3/8"-19	12		29	29	19	24
1DT9-22-08	M22X1.5	ZG1/2"-14	14		32	35	22	27
1DT9-24-08	M24X1.5	ZG1/2"-14	16		33	37	24	30
1DT9-30-12	M30X2	ZG3/4"-14	20		37	41	27	36
1DT9-36-12	M36X2	ZG3/4"-14	25		43	45	33	41
1DT9-36-16	M36X2	ZG1"-11	25		43	47.5	33	41
1DT9-42-16	M42X2	ZG1"-11	30		50.5	51	41	50
1DT9-42-20	M42X2	ZG1.1/4"-11	30		50.5	51	41	50
1DT9-52-24	M52X2	ZG1.1/2"-11	38		57.5	57.5	48	60

METRIC MALE 24°/WELD

1CW 1DW



1CW-RN 1DW-RN



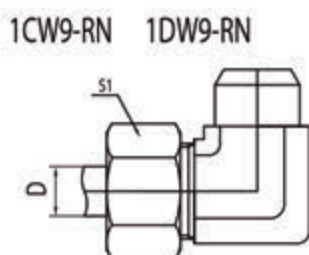
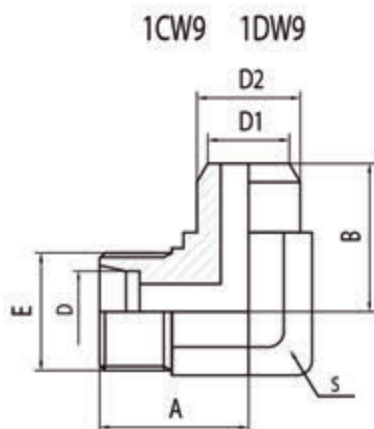
Part No.	Thread		TUBE O.D		Dimensions						
	E		D		A	B	L	D1	D2	S	S1
1CW-12-06	M12X1.5		6		10	7	22	6	10	12	14
1CW-14-08	M14X1.5		8		10	8	24	8	12	14	17
1CW-16-10	M16X1.5		10		11	8	25	10	14	17	19
1CW-18-12	M18X1.5		12		11.5	8	25.5	12	16	19	22
1CW-22-15	M22X1.5		15		12.5	10	29.5	15	19	22	27
1CW-26-18	M26X1.5		18		12.5	10	31.5	18	22	27	32
1CW-30-22	M30X2		22		14	12	36	22	27	32	38
1CW-36-28	M36X2		28		15	12	38	28	32	41	41
1CW-45-35	M45X2		35		16	14	43	35	40	46	50
1CW-52-42	M52X2		42		16	16	46	42	46	55	60
1DW-20-12	M20X1.5		12		12	10	32	12	16	22	24
1DW-24-16	M24X1.5		16		14	10	35	16	21	27	30
1DW-30-20	M30X2		20		16	12	40	20	26	32	36
1DW-36-25	M36X2		25		20	12	44	25	31	41	41
1DW-42-30	M42X2		30		20	14	48	30	36	46	50
1DW-52-38	M52X2		38		22	16	55	38	44	55	60

if you are interested to order the adapter in complete set with cutting ring and nut, it is necessary to insert suffix "RN" after our part NO, for example "1CW-22-15 RN".

D. METRIC TUBE ADAPTERS



90°METRIC MALE 24°WELD

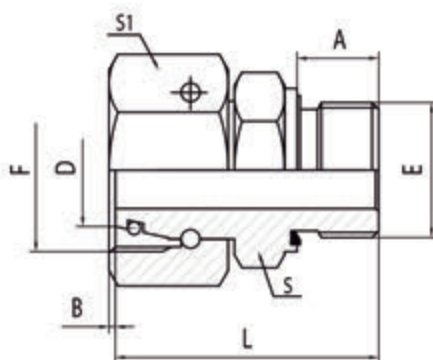


Part No.	Thread		TUBE O.D D	Dimensions					
	E			A	B	D1	D2	S	S1
1CW9-14-08	M14X1.5		8	22	22	8	12	12	17
1CW9-16-10	M16X1.5		10	23	23	10	14	14	19
1CW9-18-12	M18X1.5		12	25	25	12	16	17	22
1CW9-22-15	M22X1.5		15	29	30	15	19	19	27
1CW9-26-18	M26X1.5		18	32	33	18	22	24	32
1CW9-30-22	M30X2		22	37	37	22	27	27	36
1CW9-36-28	M36X2		28	39	42	28	32	33	41
1CW9-45-35	M45X2		35	47	49	35	40	41	50
1CW9-52-42	M52X2		42	52	57	42	46	48	60
1DW9-20-12	M20X1.5		12	29	29	12	16	19	24
1DW9-24-16	M24X1.5		16	33	33	16	21	24	30
1DW9-30-20	M30X2		20	40	39	20	26	27	36
1DW9-36-25	M36X2		25	43	41	25	31	33	41
1DW9-42-30	M42X2		30	50.5	48	30	36	41	50
1DW9-52-38	M52X2		38	57.5	57.5	38	44	48	60

BSP THREAD WITH CAPTIVE SEAL/METRIC FEMALE SWIVEL 24°

2BC-WD/ W

2BD-WD/ W



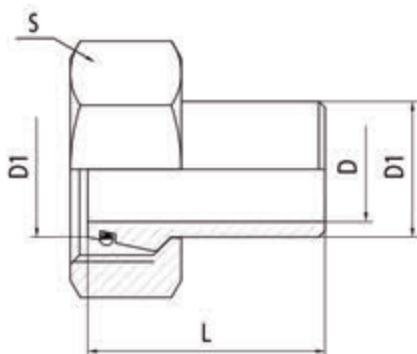
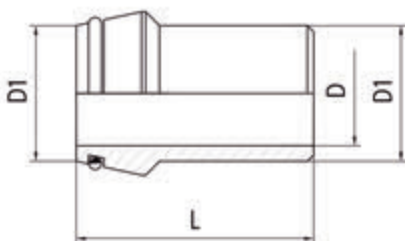
Part No.	Thread		TUBE O.D D	Dimensions					
	E	F		A	B	L	S	S1	
2BC-02-12WD/W	G1/8"-28	M12X1.5	6	8	0.5	28.5	14	17	
2BC-04-14WD/W	G1/4"-19	M14X1.5	8	12	1.5	33	19	17	
2BC-04-16WD/W	G1/4"-19	M16X1.5	10	12	1.5	36.5	19	19	
2BC-06-16WD/W	G3/8"-19	M16X1.5	10	12	1.5	38.5	22	19	
2BC-06-18WD/W	G3/8"-19	M18X1.5	12	12	2	37	22	22	
2BC-08-18WD/W	G1/2"-14	M18X1.5	12	14	2	39	27	22	
2BC-08-22WD/W	G1/2"-14	M22X1.5	15	14	1.5	41.5	27	27	
2BC-08-26WD/W	G1/2"-14	M26X1.5	18	14	1	42	27	32	
2BC-12-26WD/W	G3/4"-14	M26X1.5	18	16	1	44.5	32	32	
2BC-12-30WD/W	G3/4"-14	M30X2	22	16	3	46	32	36	
2BC-16-36WD/W	G1"-11	M36X2	28	18	2.5	53	41	41	
2BC-20-45WD/W	G1.1/4"-11	M45X2	35	20	3	57	50	50	
2BC-24-52WD/W	G1.1/2"-11	M52X2	42	22	2.5	66	55	60	
2BD-06-18WD/W	G3/8"-19	M18X1.5	10	12	1	37.5	22	22	
2BD-06-20WD/W	G3/8"-19	M20X1.5	12	12	2	39	22	24	
2BD-08-20WD/W	G1/2"-14	M20X1.5	12	14	2	45	27	24	
2BD-08-22WD/W	G1/2"-14	M22X1.5	14	14	2.5	44.5	27	27	
2BD-08-24WD/W	G1/2"-14	M24X1.5	16	14	1.5	45.5	27	30	
2BD-12-30WD/W	G3/4"-14	M30X2	20	16	2.5	48	32	36	
2BD-16-36WD/W	G1"-11	M36X2	25	18	2	56	41	41	
2BD-20-42WD/W	G1.1/4"-11	M42X2	30	20	5	59	50	50	
2BD-24-52WD/W	G1.1/2"-11	M52X2	38	22	6	67	55	60	

if you are interested to order the adapter in complete set with cutting ring and nut, it is necessary to insert suffix "RN" after our part NO, for example "1CW9-22-15 RN".



METRIC WELD

2WC 2WD



Part No.	Complete set part No.	TUBE O.D		Dimensions			
		D1		D	S	L	
2WC-06X1.5	2WC-12-06X1.5	6		3	14	30	
2WC-08X1.5	2WC-14-08X1.5	8		5	17	31	
2WC-08X2	2WC-14-08X2	8		4	17	31	
2WC-10X1	2WC-16-10X1	10		8	19	32.5	
2WC-10X1.5	2WC-16-10X1.5	10		7	19	32.5	
2WC-10X2	2WC-16-10X2	10		6	19	32.5	
2WC-12X1.5	2WC-18-12X1.5	12		9	22	31	
2WC-12X2	2WC-18-12X2	12		8	22	31	
2WC-12X2.5	2WC-18-12X2.5	12		7	22	31	
2WC-15X2	2WC-22-15X2	15		11	27	34	
2WC-15X2.5	2WC-22-15X2.5	15		10	27	34	
2WC-18X2	2WC-26-18X2	18		14	32	35	
2WC-18X2.5	2WC-26-18X2.5	18		13	32	35	
2WC-22X2	2WC-30-22X2	22		18	36	38.5	
2WC-22X2.5	2WC-30-22X2.5	22		17	36	38.5	
2WC-28X2.5	2WC-36-28X2.5	28		23	41	41	
2WC-28X3	2WC-36-28X3	28		22	41	41	
2WC-35X3.5	2WC-45-35X3.5	35		28	50	48	
2WC-35X4	2WC-45-35X4	35		27	50	48	
2WC-42X3	2WC-52-42X3	42		36	60	48	
2WC-42X4	2WC-52-42X4	42		34	60	48	
2WD-14X2	2WD-22-14X2	14		10	27	38.5	
2WD-14X3	2WD-22-14X3	14		8	27	38.5	
2WD-16X1.5	2WD-24-16X1.5	16		13	30	39	
2WD-16X2	2WD-24-16X2	16		12	30	39	
2WD-16X2.5	2WD-24-16X2.5	16		11	30	39	
2WD-16X3	2WD-24-16X3	16		10	30	39	
2WD-20X2	2WD-30-20X2	20		16	36	45	
2WD-20X2.5	2WD-30-20X2.5	20		15	36	45	
2WD-20X3	2WD-30-20X3	20		14	36	45	
2WD-20X3.5	2WD-30-20X3.5	20		13	36	45	
2WD-20X4	2WD-30-20X4	20		12	36	45	
2WD-25X3	2WD-36-25X3	25		19	41	49.5	
2WD-25X3.5	2WD-36-25X3.5	25		18	41	49.5	
2WD-25X4	2WD-36-25X4	25		17	41	49.5	
2WD-30X3	2WD-42-30X3	30		24	50	52	
2WD-30X4	2WD-42-30X4	30		22	50	52	
2WD-30X5	2WD-42-30X5	30		20	50	52	
2WD-30X6	2WD-42-30X6	30		18	50	52	
2WD-38X3	2WD-52-38X3	38		32	60	56.5	
2WD-38X4	2WD-52-38X4	38		30	60	56.5	
2WD-38X5	2WD-52-38X5	38		28	60	56.5	
2WD-38X6	2WD-52-38X6	38		26	60	56.5	
2WD-38X7	2WD-52-38X7	38		24	60	56.5	

D. METRIC TUBE ADAPTERS



BSP THREAD STUD ENDS WITH O-RING SEALING/METRIC FEMALE SWIVEL 24°

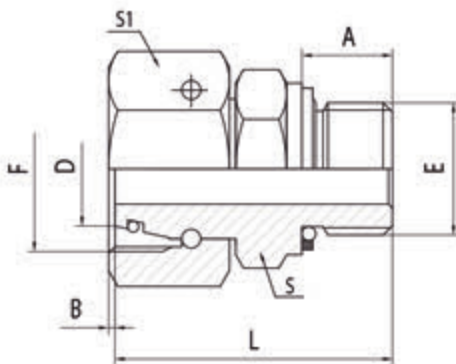
Part No.	Thread		TUBE O.D		Dimensions				
	E	F	D		A	B	L	S	S1
2GC-02-12W	G1/8"-28	M12X1.5	6		8	0.5	29	14	17
2GC-04-14W	G1/4"-19	M14X1.5	8		12	1.5	33	19	17
2GC-04-16W	G1/4"-19	M16X1.5	10		12	1.5	36	19	19
2GC-06-18W	G3/8"-19	M18X1.5	12		12	2	38	22	22
2GC-08-22W	G1/2"-14	M22X1.5	15		14	1.5	43.5	27	27
2GC-12-30W	G3/4"-14	M30X2	22		16	3	49	32	36
2GC-16-36W	G1"-11	M36X2	28		18	2.5	56	41	41
2GC-20-45W	G1.1/4"-11	M45X2	35		20	3	59.5	50	50
2GC-24-52W	G1.1/2"-11	M52X2	42		22	2.5	66	55	60
2GD-06-20W	G3/8"-19	M20X1.5	12		12	2	40	22	24
2GD-08-22W	G1/2"-14	M22X1.5	14		14	2.5	42.5	27	27
2GD-08-24W	G1/2"-14	M24X1.5	16		14	1.5	43.5	27	30
2GD-12-30W	G3/4"-14	M30X2	20		16	2.5	49.5	32	36
2GD-16-36W	G1"-11	M36X2	25		18	2	56	41	41
2GD-20-42W	G1.1/4"-11	M42X2	30		20	5	59	50	50
2GD-24-52W	G1.1/2"-11	M52X2	38		22	6	64	55	60

Please add "TO" after the part number if there is nowasher out of the O-ring on the product, for example 2GC-08-22W/TO

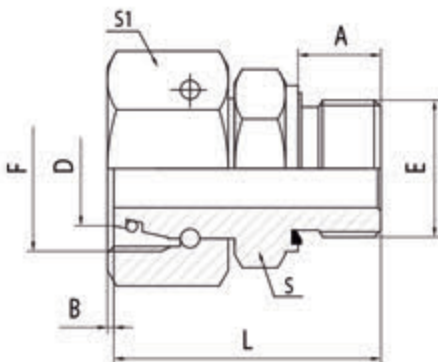
METRIC THREAD WITH CAPTIVE SEAL/FEMALE SWIVEL 24°

Part No.	Thread		TUBE O.D		Dimensions				
	E	F	D		A	B	L	S	S1
2MC-10-12WD/W	M10X1	M12X1.5	6		8	0.5	28.5	14	17
2MC-12-14WD/W	M12X1.5	M14X1.5	8		12	1.5	34	17	17
2MC-14-16WD/W	M14X1.5	M16X1.5	10		12	1.5	37	19	19
2MC-16-18WD/W	M16X1.5	M18X1.5	12		12	2	36.5	22	22
2MC-18-22WD/W	M18X1.5	M22X1.5	15		12	1.5	40	24	27
2MC-22-26WD/W	M22X1.5	M26X1.5	18		14	1	41	27	32
2MC-26-30WD/W	M26X1.5	M30X2	22		16	3	47	32	36
2MC-33-36WD/W	M33X2	M36X2	28		18	2.5	53	41	41
2MC-42-45WD/W	M42X2	M45X2	35		20	3	55	50	50
2MC-48-52WD/W	M48X2	M52X2	42		22	2.5	64.5	55	60
2MD-12-14WD/W	M12X1.5	M14X1.5	6		12	2	33.5	17	17
2MD-14-16WD/W	M14X1.5	M16X1.5	8		12	2	35	19	19
2MD-16-18WD/W	M16X1.5	M18X1.5	10		12	1	37.5	22	22
2MD-18-20WD/W	M18X1.5	M20X1.5	12		12	2	43	24	24
2MD-20-22WD/W	M20X1.5	M22X1.5	14		14	2.5	44.5	27	27
2MD-22-24WD/W	M22X1.5	M24X1.5	16		14	1.5	45.5	27	30
2MD-27-30WD/W	M27X1.5	M30X2	20		16	2.5	52	32	36
2MD-33-36WD/W	M33X2	M36X2	25		18	2	58	41	41
2MD-42-42WD/W	M42X2	M42X2	30		20	5	59	50	50
2MD-48-52WD/W	M48X2	M52X2	38		22	6	67	55	60

2GC-W
2GD-W



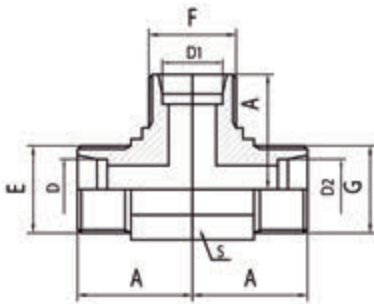
2MC-W
2MD-W



D. METRIC TUBE ADAPTERS



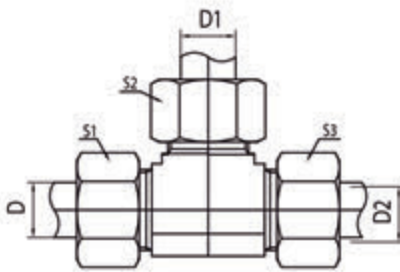
AC AD



METRIC MALE 24° TEE

Part No.	Thread			TUBE O.D			Dimensions					
	E	F	G	D	D1	D2	A		S	S1	S2	S3
AC-12	M12X1.5	M12X1.5	M12X1.5	6	6	6	21		11	14	14	14
AC-14	M14X1.5	M14X1.5	M14X1.5	8	8	8	22		12	17	17	17
AC-16	M16X1.5	M16X1.5	M16X1.5	10	10	10	23		14	19	19	19
AC-18	M18X1.5	M18X1.5	M18X1.5	12	12	12	25		17	22	22	22
AC-22-22-16	M22X1.5	M22X1.5	M16X1.5	15	15	10	29		19	27	27	19
AC-22	M22X1.5	M22X1.5	M22X1.5	15	15	15	29		19	27	27	27
AC-26-26-22	M26X1.5	M26X1.5	M22X1.5	18	18	15	32		24	32	32	27
AC-26	M26X1.5	M26X1.5	M26X1.5	18	18	18	32		24	32	32	32
AC-30-26-30	M30X2	M26X1.5	M30X2	22	18	22	36		27	36	32	36
AC-30	M30X2	M30X2	M30X2	22	22	22	36		27	36	36	36
AC-36	M36X2	M36X2	M36X2	28	28	28	39		33	41	41	41
AC-45	M45X2	M45X2	M45X2	35	35	35	47		41	50	50	50
AC-52	M52X2	M52X2	M52X2	42	42	42	52		48	60	60	60
AD-14	M14X1.5	M14X1.5	M14X1.5	6	6	6	22		12	17	17	17
AD-16	M16X1.5	M16X1.5	M16X1.5	8	8	8	23		14	19	19	19
AD-18	M18X1.5	M18X1.5	M18X1.5	10	10	10	26		17	22	22	22
AD-20	M20X1.5	M20X1.5	M20X1.5	12	12	12	29		19	24	24	24
AD-22	M22X1.5	M22X1.5	M22X1.5	14	14	14	30.5		19	27	27	27
AD-24	M24X1.5	M24X1.5	M24X1.5	16	16	16	33		24	30	30	30
AD-30	M30X2	M30X2	M30X2	20	20	20	37		27	36	36	36
AD-36	M36X2	M36X2	M36X2	25	25	25	43		33	41	41	41
AD-42	M42X2	M42X2	M42X2	30	30	30	50.5		41	50	50	50
AD-52	M52X2	M52X2	M52X2	38	38	38	57.5		48	60	60	60

AC-RN AD-RN

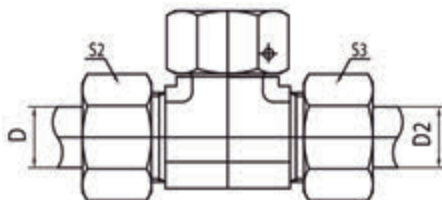
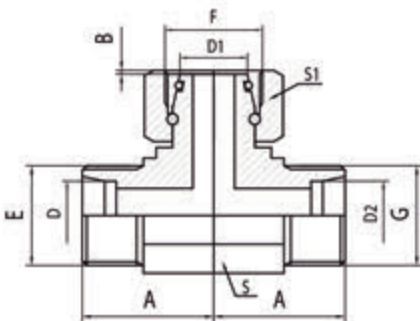


METRIC 24° MALE / FEMALE / MALE TEE

Part No.	Thread	TUBE O.D			Dimensions					
	E	D	D1	D2	A	B	S	S1	S2	S3
BC-12-12-12W	M12X1.5	6	6	6	20	0.5	11	17	14	14
BC-14-14-14W	M14X1.5	8	8	8	22	1.5	12	17	17	17
BC-16-16-16W	M16X1.5	10	10	10	23	1.5	14	19	19	19
BC-18-18-18W	M18X1.5	12	12	12	25	2	17	22	22	22
BC-22-22-22W	M22X1.5	15	15	15	29	1.5	19	27	27	27
BC-26-26-26W	M26X1.5	18	18	18	32	1	24	32	32	32
BC-30-30-30W	M30X2	22	22	22	36	3	27	36	36	36
BC-36-36-36W	M36X2	28	28	28	39	2.5	33	41	41	41
BC-45-45-45W	M45X2	35	35	35	47	3	41	50	50	50
BC-52-52-52W	M52X2	42	42	42	52	2.5	48	60	60	60
BD-20-20-20W	M20X1.5	12	12	12	29	2	19	24	24	24
BD-24-24-24W	M24X1.5	16	16	16	33	1.5	24	30	30	30
BD-30-30-30W	M30X2	20	20	20	37	2.5	27	36	36	36
BD-36-36-36W	M36X2	25	25	25	43	2	33	41	41	41
BD-42-42-42W	M42X2	30	30	30	50	5	41	50	50	50
BD-52-52-52W	M52X2	38	38	38	57	6	48	60	60	60

BC-W
BD-W

BC-W RN
BD-W RN

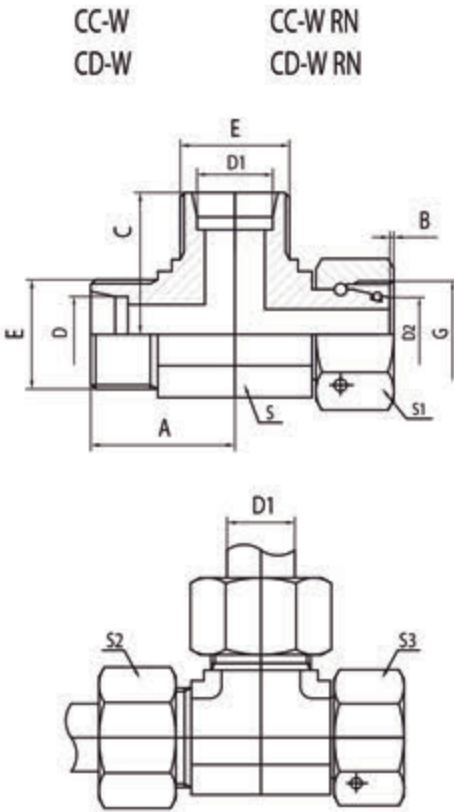


if you are interested to order the adapter in complete set with cutting ring and nut, it is necessary to insert suffix "RN" after our part NO, for example BC-22-22-22W/RN.

D. METRIC TUBE ADAPTERS

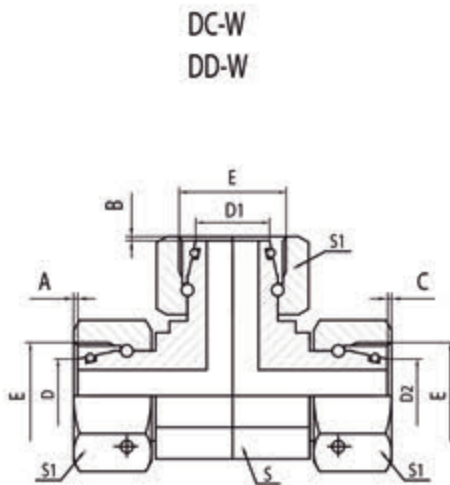


METRIC 24° MALE/MALE/FEMALE TEE



Part No.	Thread		TUBE O.D			Dimensions						
	E	G	D	D1	D2	A	B	C	S	S1	S2	S3
CC-12-12-12W	M12X1.5	M12X1.5	6	6	6	20	0.5	20	11	17	14	14
CC-14-14-14W	M14X1.5	M14X1.5	8	8	8	22	1.5	22	12	17	17	17
CC-16-16-16W	M16X1.5	M16X1.5	10	10	10	23	1.5	23	14	19	19	19
CC-18-18-18W	M18X1.5	M18X1.5	12	12	12	25	2	25	17	22	22	22
CC-22-22-22W	M22X1.5	M22X1.5	15	15	15	29	1.5	29	19	27	27	27
CC-26-26-26W	M26X1.5	M26X1.5	18	18	18	32	1	32	24	32	32	32
CC-30-30-30W	M30X2	M30X2	22	22	22	36	3	36	27	36	36	36
CC-36-36-36W	M36X2	M36X2	28	28	28	39	2.5	39	33	41	41	41
CC-45-45-45W	M45X2	M45X2	35	35	35	47	3	47	41	50	50	50
CC-52-52-52W	M52X2	M52X2	42	42	42	52	2.5	52	48	60	60	60
CD-14-14-14W	M14X1.5	M14X1.5	6	6	6	22	2	22	12	17	17	17
CD-16-16-16W	M16X1.5	M16X1.5	8	8	8	24	2	24	14	19	19	19
CD-18-18-18W	M18X1.5	M18X1.5	10	10	10	26	1	26	17	22	22	22
CD-20-20-20W	M20X1.5	M20X1.5	12	12	12	29	2	29	19	24	24	24
CD-24-24-24W	M24X1.5	M24X1.5	16	16	16	33	1.5	33	24	30	30	30
CD-30-30-30W	M30X2	M30X2	20	20	20	37	2.5	37	27	36	36	36
CD-36-36-36W	M36X2	M36X2	25	25	25	43	2	43	33	41	41	41
CD-42-42-42W	M42X2	M42X2	30	30	30	50	5	50	41	50	50	50
CD-52-52-52W	M52X2	M52X2	38	38	38	57	6	57	48	60	60	60

METRIC FEMALE 24° TEE



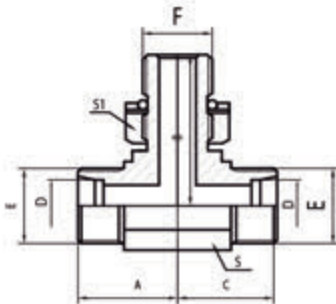
Part No.	Thread		TUBE O.D			Dimensions				
	E		D	D1	D2	A	B	C	S	S1
DC-12-12-12W	M12X1.5		6	6	6	0.5	0.5	0.5	11	17
DC-14-14-14W	M14X1.5		8	8	8	1.5	1.5	1.5	11	17
DC-16-16-16W	M16X1.5		10	10	10	1.5	1.5	1.5	14	19
DC-18-18-18W	M18X1.5		12	12	12	2	2	2	17	22
DC-22-22-22W	M22X1.5		15	15	15	1.5	1.5	1.5	19	27
DC-26-26-26W	M26X1.5		18	18	18	1	1	1	24	32
DC-30-30-30W	M30X2		22	22	22	3	3	3	27	36
DC-36-36-36W	M36X2		28	28	28	2.5	2.5	2.5	33	41
DC-45-45-45W	M45X2		35	35	35	3	3	3	41	50
DC-52-52-52W	M52X2		42	42	42	2.5	2.5	2.5	48	60
DD-14-14-14W	M14X1.5		6	6	6	2	2	2	11	17
DD-16-16-16W	M16X1.5		8	8	8	2	2	2	14	19
DD-18-18-18W	M18X1.5		10	10	10	1	1	1	17	22
DD-20-20-20W	M20X1.5		12	12	12	2	2	2	17	24
DD-24-24-24W	M24X1.5		16	16	16	1.5	1.5	1.5	22	30
DD-30-30-30W	M30X2		20	20	20	2.5	2.5	2.5	27	36
DD-36-36-36W	M36X2		25	25	25	2	2	2	33	41
DD-42-42-42W	M42X2		30	30	30	5	5	5	41	50
DD-52-52-52W	M52X2		38	38	38	6	6	6	48	60

if you are interested to order the adapter in complete set with cutting ring and nut, it is necessary to insert suffix "RN" after our part NO, for example CC-22-22-22W/RN.



METRIC MALE 24°/O-RING ADJUSTABLE STUD BRANCH TEE

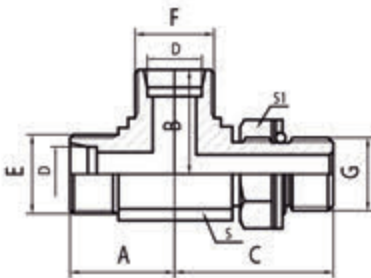
ACHC
ADHD



Part No.	Thread		TUBE O.D	Dimensions					
	E	F		A	B	C	S	S1	S2
ACHC-14-12-14 OG	M14X1.5	M12X1.5	8	22	32	22	14	17	17
ACHC-16-14-16 OG	M16X1.5	M14X1.5	10	23	34	23	14	19	19
ACHC-18-16-18 OG	M18X1.5	M16X1.5	12	25	35	25	19	22	22
ACHC-22-18-22 OG	M22X1.5	M18X1.5	15	29	39.5	29	22	24	27
ACHC-26-22-26 OG	M26X1.5	M22X1.5	18	32	46	32	27	27	32
ACHC-30-27-30 OG	M30X2	M27X2	22	38	51	38	30	32	36
ACHC-36-33-36 OG	M36X2	M33X2	28	39	54	39	33	41	41
ADHD-20-18-20 OG	M20X1.5	M18X1.5	12	25	37	25	19	24	24
ADHD-24-22-24 OG	M24X1.5	M22X1.5	16	33	44	33	27	27	30
ADHD-30-27-30 OG	M30X2	M27X2	20	38	51	38	30	32	36
ADHD-36-33-36 OG	M36X2	M33X2	25	43	54	43	33	41	41
ADHD-42-42-42 OG	M42X2	M42X2	30	50	57	50	41	50	50

METRIC MALE 24°/O-RING ADJUSTABLE STUD RUN TEE

ACCH
ADDH

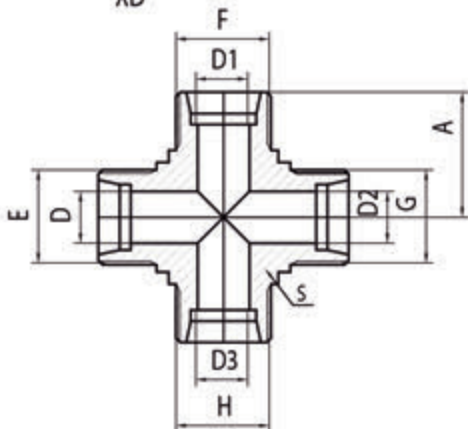


Part No.	Thread		TUBE O.D	Dimensions					
	E	F		A	B	C	S	S1	S2
ACCH-14-14-12 OG	M14X1.5	M12X1.5	8	22	22	32	14	17	17
ACCH-16-16-14 OG	M16X1.5	M14X1.5	10	23	23	34	14	19	19
ACCH-18-18-16 OG	M18X1.5	M16X1.5	12	25	25	35	19	22	22
ACCH-22-22-18 OG	M22X1.5	M18X1.5	15	29	29	39.5	22	24	27
ACCH-26-26-22 OG	M26X1.5	M22X1.5	18	32	32	46	27	27	32
ACCH-30-30-27 OG	M30X2	M27X2	22	38	38	51	30	32	36
ACCH-36-36-33 OG	M36X2	M33X2	28	39	39	54	33	41	41
ADDH-24-24-22 OG	M24X1.5	M22X1.5	16	33	33	44	27	27	30
ADDH-30-30-27 OG	M30X2	M27X2	20	38	38	51	30	32	36
ADDH-36-36-33 OG	M36X2	M33X2	25	43	43	54	33	41	41
ADDH-42-42-42 OG	M42X2	M42X2	30	50	50	57	41	50	50

Please add "TO" after the part number if there is no washer out of the O-ring on the product, for example ACCH-22-22-18 OG/TO

METRIC MALE 24°/H.T CROSS

XC
XD



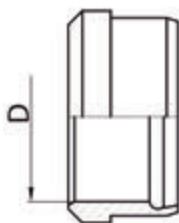
Part No.	Thread				TUBE O.D				Dimensions		
	E	F	G	H	D	D1	D2	D3	A	S	S1
XC-16	M16X1.5				10	10	10	10	24	14	19
XC-18	M18X1.5				12	12	12	12	24	17	22
XC-22	M22X1.5				15	15	15	15	28	19	27
XC-26	M26X1.5				18	18	18	18	31	24	32
XC-30	M30X2				22	22	22	22	35	27	36
XC-36	M36X2				28	28	28	28	38	33	41
XC-45	M45X2				35	35	35	35	45	41	50
XC-52	M52X2				42	42	42	42	51	48	60
XD-20	M20X1.5				12	12	12	12	29	17	24
XD-22	M22X1.5				14	14	14	14	30	17	27
XD-24	M24X1.5				16	16	16	16	33	24	30
XD-30	M30X2				20	20	20	20	37	27	36
XD-36	M36X2				25	25	25	25	42	33	41
XD-42	M42X2				30	30	30	30	49	41	50
XD-52	M52X2				38	38	38	38	57	48	60

D. METRIC TUBE ADAPTERS



CUTTING RING

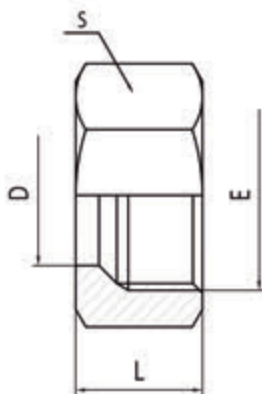
RL JRL
RS JRS



Part No.		TUBE O.D		Dimensions					
GB	IMPORTED	D							
RL-06	JRL-06	6							
RL-08	JRL-08	8							
RL-10	JRL-10	10							
RL-12	JRL-12	12							
RL-15	JRL-15	15							
RL-18	JRL-18	18							
RL-22	JRL-22	22							
RL-28	JRL-28	28							
RL-35	JRL-35	35							
RL-42	JRL-42	42							
RS-14	JRS-14	14							
RS-16	JRS-16	16							
RS-20	JRS-20	20							
RS-25	JRS-25	25							
RS-30	JRS-30	30							
RS-38	JRS-38	38							

RETAINING NUTS

NL
NS



Part No.	Thread		TUBE O.D		Dimensions					
	E		D		L	S				
NL-12	M12X1.5		6		14.5	14				
NL-14	M14X1.5		8		14.5	17				
NL-16	M16X1.5		10		15.5	19				
NL-18	M18X1.5		12		15.5	22				
NL-22	M22X1.5		15		17	27				
NL-26	M26X1.5		18		18	32				
NL-30	M30X2		22		20	36				
NL-36	M36X2		28		21	41				
NL-45	M45X2		35		24	50				
NL-52	M52X2		42		24	60				
NS-14	M14X1.5		6		16.5	17				
NS-16	M16X1.5		8		16.5	19				
NS-18	M18X1.5		10		17.5	22				
NS-20	M20X1.5		12		17.5	24				
NS-22	M22X1.5		14		20.5	27				
NS-24	M24X1.5		16		20.5	30				
NS-30	M30X2		20		24	36				
NS-36	M36X2		25		27	41				
NS-42	M42X2		30		29	50				
NS-52	M52X2		38		32.5	60				

AFAXXION FLEX



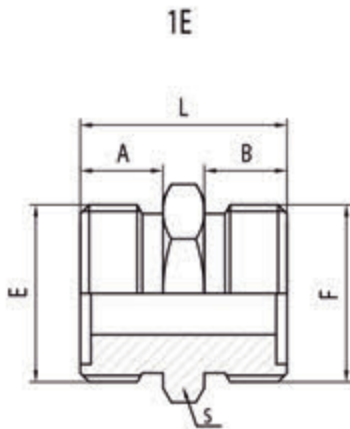




E. METRIC ADAPTERS

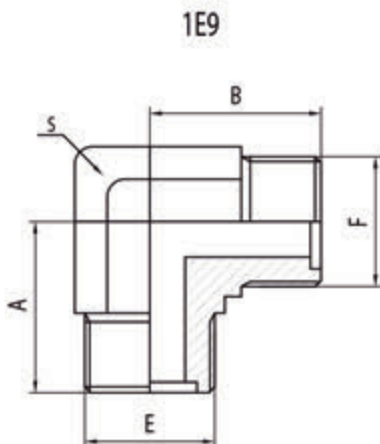


METRIC MALE O-RING



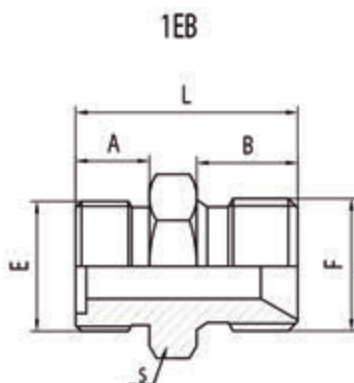
Part No.	Thread		Dimensions			
	E	F	A	B	L	S
1E-12-12	M12X1.25	M12X1.25	11	11	28	14
1E-14-14	M14X1.5	M14X1.5	11	11	28	17
1E-16-16	M16X1.5	M16X1.5	11	11	28	17
1E-18-18	M18X1.5	M18X1.5	11	11	28	19
1E-22-22	M22X1.5	M22X1.5	12	12	32	24
1E-27-27	M27X1.5	M27X1.5	13	13	36	30
1E-30-30	M30X1.5	M30X1.5	14	14	38	32
1E-36-36	M36X2	M36X2	16	16	44	41
1E-39-39	M39X2	M39X2	18	18	48	41
1E-42-42	M42X2	M42X2	20	20	53	46
1E-45-45	M45X2	M45X2	20	20	53	46
1E-52-52	M52X2	M52X2	22	22	59	55
1E-60-60	M60X2	M60X2	24	24	65	65
1E-64-64	M60X2	M60X2	28	28	73	70

90° METRIC MALE O-RING



Part No.	Thread		Dimensions		
	E	F	A	B	S
1E9-12-12	M12X1.25	M12X1.25	21	21	11
1E9-14-14	M14X1.5	M14X1.5	22	22	12
1E9-16-16	M16X1.5	M16X1.5	23	23	14
1E9-18-18	M18X1.5	M18X1.5	25	25	17
1E9-22-22	M22X1.5	M22X1.5	29	29	19
1E9-27-27	M27X1.5	M27X1.5	35	35	27
1E9-30-30	M30X1.5	M30X1.5	36	36	27
1E9-36-36	M36X2	M36X2	42	42	33
1E9-39-39	M39X2	M39X2	47	47	41
1E9-42-42	M42X2	M42X2	50	50	41
1E9-45-45	M45X2	M45X2	50	50	41
1E9-52-52	M52X2	M52X2	56	56	48

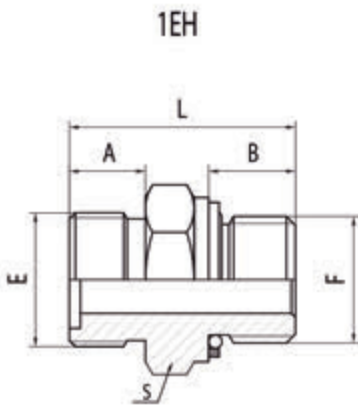
METRIC MALE O-RING/BSP MALE 60° SEAT OR BONED SEAL



Part No.	Thread		Dimensions			
	E	F	A	B	L	S
1EB-14-04	M14X1.5	G1/4"-19	11	12	29	19
1EB-16-04	M16X1.5	G1/4"-19	11	12	29	19
1EB-16-06	M16X1.5	G3/8"-19	11	13.5	32	22
1EB-18-06	M18X1.5	G3/8"-19	11	13.5	32	22
1EB-18-08	M18X1.5	G1/2"-14	11	16	35	27
1EB-22-08	M22X1.5	G1/2"-14	12	16	36	27
1EB-27-08	M27X1.5	G1/2"-14	13	16	38	30
1EB-27-12	M27X1.5	G3/4"-14	13	18	41	32
1EB-30-12	M30X1.5	G3/4"-14	14	18	42	32
1EB-30-16	M30X2	G1"-11	16	19	47	41
1EB-36-16	M36X2	G1"-11	16	19	47	41

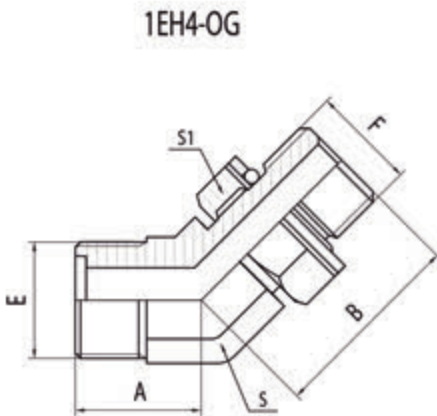


METRIC MALE O-RING/MALE



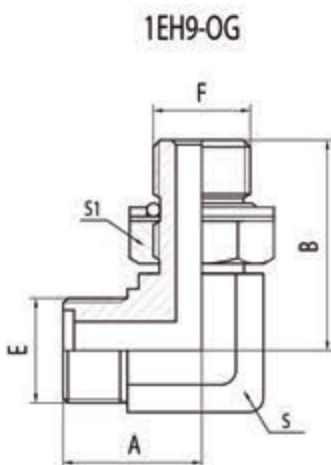
Part No.	Thread		Dimensions			
	E	F	A	B	L	S
1EH-12-10	M12X1.5	M10X1	11	8	27	14
1EH-14-12	M14X1.5	M12X1.5	11	12	31	17
1EH-16-14	M16X1.5	M14X1.5	11	12	31	19
1EH-18-16	M18X1.5	M16X1.5	11	12	33	22
1EH-22-18	M22X1.5	M18X1.5	12	12	34	24
1EH-27-22	M27X1.5	M22X1.5	13	15	40	27
1EH-30-27	M30X1.5	M27X2	14	16	43	32
1EH-36-33	M36X2	M33X2	16	18	49	41
1EH-39-33	M39X2	M33X2	18	18	51	41
1EH-42-42	M42X2	M42X2	20	20	57	50
1EH-45-42	M45X2	M42X2	20	20	57	50
1EH-52-48	M52X2	M48X2	22	22	63	55

45°METRIC MALE O-RING/MALE ADJUSTABLE STUD



Part No.	Thread		Dimensions			
	E	F	A	B	S	S1
1EH4-12-10 OG	M12X1.5	M10X1	19	24	11	14
1EH4-14-12 OG	M14X1.5	M12X1.5	19	28	14	17
1EH4-16-14 OG	M16X1.5	M14X1.5	19	28	14	19
1EH4-18-16 OG	M18X1.5	M16X1.5	20	32	19	22
1EH4-22-18 OG	M22X1.5	M18X1.5	23	32	22	24
1EH4-27-22 OG	M27X1.5	M22X1.5	27	38	27	27
1EH4-30-27 OG	M30X1.5	M27X2	27.5	42	30	32
1EH4-36-33 OG	M36X2	M33X2	31	43	33	41
1EH4-39-33 OG	M39X2	M33X2	36	44	41	41
1EH4-42-42 OG	M42X2	M42X2	38	47	41	50
1EH4-45-42 OG	M45X2	M42X2	41	49	48	50

90°METRIC MALE O-RING/MALE ADJUSTABLE STUD



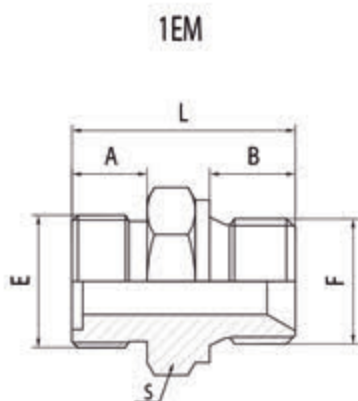
Part No.	Thread		Dimensions			
	E	F	A	B	S	S1
1EH9-12-10 OG	M12X1.5	M10X1	21	26.5	11	14
1EH9-14-12 OG	M14X1.5	M12X1.5	24	32	14	17
1EH9-16-14 OG	M16X1.5	M14X1.5	24	34	14	19
1EH9-18-16 OG	M18X1.5	M16X1.5	25	35	19	22
1EH9-22-18 OG	M22X1.5	M18X1.5	29	39.5	22	24
1EH9-27-22 OG	M27X1.5	M22X1.5	34	46	27	27
1EH9-30-27 OG	M30X1.5	M27X2	38	51	30	32
1EH9-36-33 OG	M36X2	M33X2	40	54	33	41
1EH9-39-33 OG	M39X2	M33X2	48	57	41	41
1EH9-42-42 OG	M42X2	M42X2	38	57	41	50
1EH9-45-42 OG	M45X2	M42X2	54	62	48	50

Please add "TO" after the part number if there is no washer out of the O-ring on the product, for example 1EH9-16-14 OG/TO

E. METRIC ADAPTERS

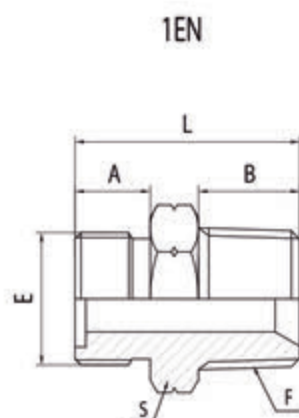


METRIC MALE O-RING/60°SEAT BONDED SEAL



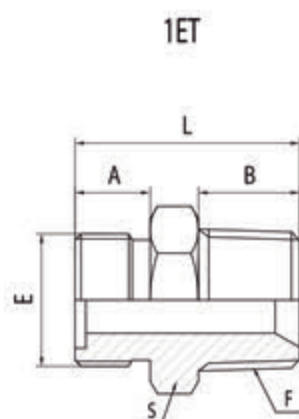
Part No.	Thread		Dimensions			
	E	F	A	B	L	S
1EM-14-12	M14X1.5	M12X1.5	11	10	29	17
1EM-14-14	M14X1.5	M14X1.5	11	11	29.5	19
1EM-16-14	M16X1.5	M14X1.5	11	11	29.5	19
1EM-18-16	M18X1.5	M16X1.5	11	12	32.5	22
1EM-22-18	M22X1.5	M18X1.5	12	12	34	24
1EM-30-27	M30X1.5	M27X2	14	14	41	32
1EM-36-27	M36X2	M27X2	16	14	44	41
1EM-36-33	M36X2	M33X2	16	18	48	41
1EM-45-42	M45X2	M42X2	20	18	55	50
1EM-52-48	M52X2	M48X2	22	20	59	60

METRIC MALE O-RING/NPT MALE



Part No.	Thread		Dimensions			
	E	F	A	B	L	S
1EN-14-04	M14X1.5	Z1/4"-18	11	14.5	31	17
1EN-16-04	M16X1.5	Z1/4"-18	11	14.5	31	17
1EN-16-06	M16X1.5	Z3/8"-18	11	14.5	31	19
1EN-18-04	M18X1.5	Z1/4"-18	11	14.5	32	19
1EN-18-06	M18X1.5	Z3/8"-18	11	14.5	32	19
1EN-18-08	M18X1.5	Z1/2"-14	11	19.5	38	22
1EN-22-08	M22X1.5	Z1/2"-14	12	19.5	39	24
1EN-27-08	M27X1.5	Z1/2"-14	13	19.5	42	30
1EN-27-12	M27X1.5	Z3/4"-14	13	19.5	42	30
1EN-30-12	M30X1.5	Z3/4"-14	14	19.5	43.5	32
1EN-36-16	M36X2	Z1"-11.5	16	24.5	51.5	41
1EN-39-16	M39X2	Z1"-11.5	18	24.5	53.5	41
1EN-42-20	M42X2	Z1.1/4"-11.5	20	25	58	46
1EN-52-20	M52X2	Z1.1/4"-11.5	22	25	62	55
1EN-60-24	M60X2	Z1.1/2"-11.5	24	25	66	65

METRIC MALE O-RING/BSPT MALE

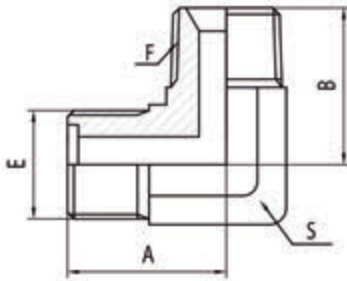


Part No.	Thread		Dimensions			
	E	F	A	B	L	S
1ET-14-04	M14X1.5	ZG1/4"-19	11	14.5	31	17
1ET-16-06	M16X1.5	ZG3/8"-19	11	14.5	31	19
1ET-18-06	M18X1.5	ZG3/8"-19	11	14.5	32	19
1ET-22-08	M22X1.5	ZG1/2"-14	12	19.5	39	24
1ET-27-08	M27X1.5	ZG1/2"-14	13	19.5	42	30
1ET-30-12	M30X1.5	ZG3/4"-14	14	19.5	43.5	32
1ET-36-16	M36X2	ZG1"-11	16	24.5	51.5	41
1ET-39-20	M39X2	ZG1.1/4"-11	18	25	56	46
1ET-42-20	M42X2	ZG1.1/4"-11	20	25	58	46
1ET-52-20	M52X2	ZG1.1/4"-11	22	25	62	55
1ET-60-24	M60X2	ZG1.1/2"-11	24	25	66	65



90°METRIC MALE O-RING/BSPT MALE

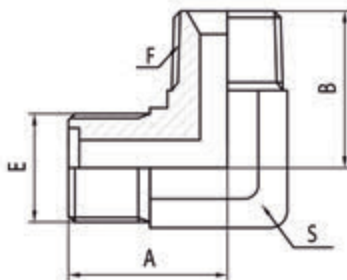
1ET9



Part No.	Thread		Dimensions				
	E	F	A	B	S		
1ET9-14-04	M14X1.5	ZG1/4"-19	24	25	14		
1ET9-16-04	M16X1.5	ZG1/4"-19	24	25	14		
1ET9-16-06	M16X1.5	ZG3/8"-19	25	28	17		
1ET9-18-06	M18X1.5	ZG3/8"-19	25	28	17		
1ET9-18-08	M18X1.5	ZG1/2"-14	29	35	22		
1ET9-22-08	M22X1.5	ZG1/2"-14	30	35	22		
1ET9-27-08	M27X1.5	ZG1/2"-14	35	41	27		
1ET9-30-12	M30X1.5	ZG3/4"-14	35	41	27		
1ET9-36-12	M36X2	ZG3/4"-14	41	44	33		
1ET9-36-16	M36X2	ZG1"-11	41	49	33		
1ET9-39-20	M39X2	ZG1.1/4"-11	47	51	41		
1ET9-42-20	M42X2	ZG1.1/4"-11	49	51	41		
1ET9-52-24	M52X2	ZG1.1/2"-11	58	58	48		

90°METRIC MALE O-RING/NPT MALE

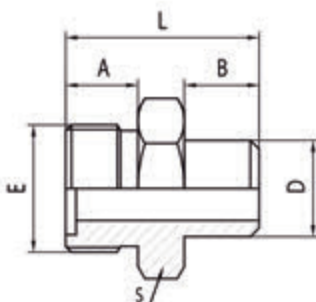
1EN9



Part No.	Thread		Dimensions				
	E	F	A	B	S		
1EN9-14-04	M14X1.5	Z1/4"-18	24	25	14		
1EN9-16-04	M16X1.5	Z1/4"-18	24	25	14		
1EN9-16-06	M16X1.5	Z3/8"-18	25	28	17		
1EN9-18-06	M18X1.5	Z3/8"-18	25	28	17		
1EN9-18-08	M18X1.5	Z1/2"-14	29	35	22		
1EN9-22-08	M22X1.5	Z1/2"-14	30	35	22		
1EN9-27-08	M27X1.5	Z1/2"-14	35	41	27		
1EN9-30-12	M30X1.5	Z3/4"-14	35	41	27		
1EN9-36-12	M36X2	Z3/4"-14	41	44	33		
1EN9-36-16	M36X2	Z1"-11.5	41	49	33		
1EN9-39-20	M39X2	Z1.1/4"-11.5	47	51	41		
1EN9-42-20	M42X2	Z1.1/4"-11.5	49	51	41		
1EN9-52-24	M52X2	Z1.1/2"-11.5	58	58	48		

METRIC MALE O-RING/BUTT-WELD TUBE

1EW

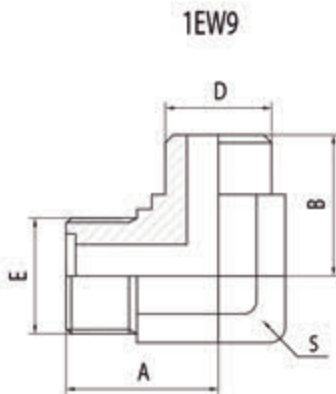


Part No.	Thread		TUBE O.D	Dimensions				
	E			A	B	D	L	S
1EW-12-06	M12X1.25		6	11	8	6	25	14
1EW-14-08	M14X1.5		8	11	8	8	25	17
1EW-16-10	M16X1.5		10	11	8	10	25	17
1EW-18-12	M18X1.5		12	11	12	12	29	19
1EW-22-14	M22X1.5		14	12	12	14	32	24
1EW-27-18	M27X1.5		18	13	12	18	34	30
1EW-30-22	M30X1.5		22	14	14	22	37	32
1EW-36-28	M36X2		28	16	16	28	42	41
1EW-39-30	M39X2		30	18	16	30	44	41
1EW-42-34	M42X2		34	20	16	34	49	46
1EW-45-38	M45X2		38	20	18	38	51	46
1EW-52-42	M52X2		42	22	18	42	55	55

E. METRIC ADAPTERS

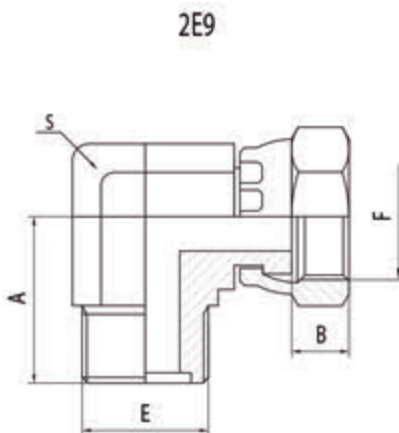


90° METRIC MALE O-RING/BUTT-WELD TUBE



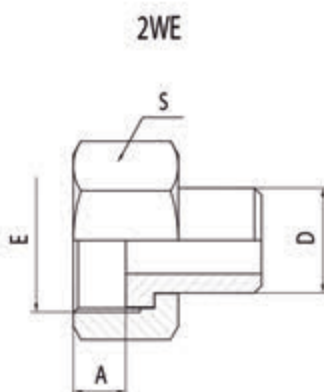
Part No.	Thread		TUBE O.D	Dimensions			
	E			A	B	D	S
1EW9-12-06	M12X1.25		6	21	21	6	11
1EW9-14-08	M14X1.5		8	22	21	8	12
1EW9-16-10	M16X1.5		10	23	22	10	14
1EW9-18-12	M18X1.5		12	25	28	12	17
1EW9-22-14	M22X1.5		14	29	29	14	19
1EW9-27-18	M27X1.5		18	35	36	18	27
1EW9-30-22	M30X1.5		22	36	40	22	27
1EW9-36-28	M36X2		28	42	44	28	33
1EW9-39-30	M39X2		30	47	49	30	41
1EW9-42-34	M42X2		34	50	50	34	41
1EW9-45-38	M45X2		38	50	50	38	41
1EW9-52-42	M52X2		42	56	53	42	48

90° METRIC O-RING



Part No.	Thread		Dimensions		
	E	F	A	B	S
2E9-12-12	M12X1.25	M12X1.25	21	8	11
2E9-14-14	M14X1.5	M14X1.5	22	9	12
2E9-16-16	M16X1.5	M16X1.5	23	9.5	14
2E9-18-18	M18X1.5	M18X1.5	25	9.5	17
2E9-22-22	M22X1.5	M22X1.5	29	10	19
2E9-27-27	M27X1.5	M27X1.5	32	11	24
2E9-30-30	M30X1.5	M30X1.5	36	11.5	27
2E9-36-36	M36X2	M36X2	40	13.5	33
2E9-39-39	M39X2	M39X2	47	13.5	41
2E9-42-42	M42X2	M42X2	50	15.5	41
2E9-45-45	M45X2	M45X2	50	15.5	41
2E9-52-52	M52X2	M52X2	56	17.5	48

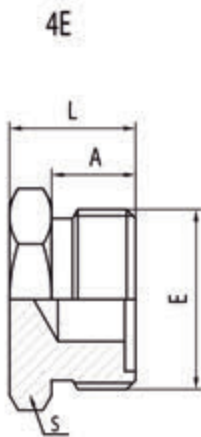
BUTT-WELD TUBE/METRIC FEMALE O-RING



Part No.	Thread		Dimensions		
	E		A	D	S
2WE-06-12	M12X1.25		8	6	14
2WE-08-14	M14X1.5		8	8	17
2WE-10-16	M16X1.5		8	10	19
2WE-12-18	M18X1.5		8.5	12	22
2WE-14-22	M22X1.5		10	14	27
2WE-18-27	M27X1.5		10.5	18	32
2WE-22-30	M30X1.5		11	22	36
2WE-28-36	M36X2		13	28	41
2WE-30-39	M39X2		13	30	46
2WE-34-42	M42X2		15	34	50
2WE-38-45	M45X2		15	38	55
2WE-42-52	M52X2		17	42	60
2WE-50-60	M60X2		20	50	70
2WE-52-64	M64X2		23	52	75

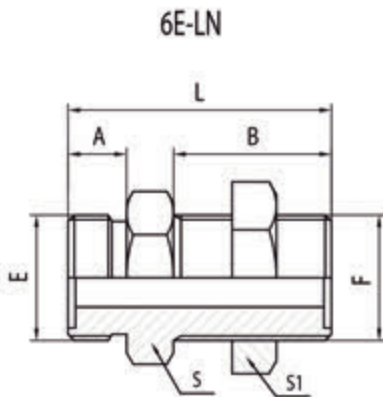


METRIC MALE O-RING PLUG



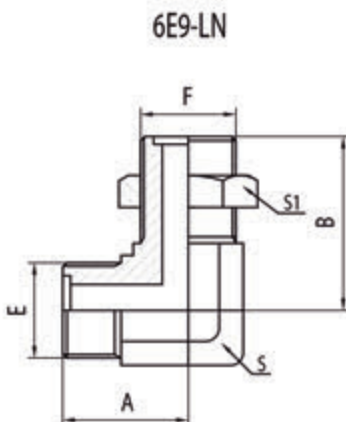
Part No.	Thread		Dimensions			
	E		A	L	S	
4E-12	M12X1.25		10	16	14	
4E-14	M14X1.5		11	17	17	
4E-16	M16X1.5		11	17	17	
4E-18	M18X1.5		11	17	19	
4E-22	M22X1.5		12	20	24	
4E-27	M27X1.5		13	23	30	
4E-30	M30X1.5		14	24	32	
4E-36	M36X2		16	28	41	
4E-42	M42X2		20	33	46	
4E-45	M45X2		20	33	46	
4E-52	M52X2		22	37	55	
4E-60	M60X2		24	41	65	

METRIC MALE O-RING BULKHEAD



Part No.	Thread		Dimensions				
	E	F	A	B	L	S	S1
6E-12 LN	M12X1.25	M12X1.25	11	31.5	48.5	17	17
6E-14 LN	M14X1.5	M14X1.5	11	32.5	49.5	19	19
6E-16 LN	M16X1.5	M16X1.5	11	32.5	51.5	22	22
6E-18 LN	M18X1.5	M18X1.5	11	33	52	24	24
6E-22 LN	M22X1.5	M22X1.5	12	35.5	58	27	30
6E-27 LN	M27X1.5	M27X1.5	13	37	61	32	36
6E-30 LN	M30X1.5	M30X1.5	14	38	63	36	41
6E-36 LN	M36X2	M36X2	16	42	71	41	46
6E-39 LN	M39X2	M39X2	18	44	74	46	50
6E-42 LN	M42X2	M42X2	20	46	80	50	50
6E-45 LN	M45X2	M45X2	20	46	80	55	55
6E-52 LN	M52X2	M52X2	22	49	83	65	65

90° METRIC MALE O-RING BULKHEAD



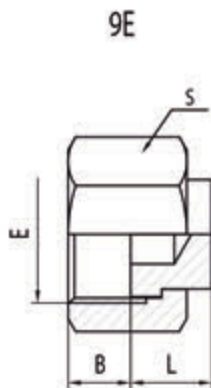
Part No.	Thread		Dimensions			
	E	F	A	B	S	S1
6E9-12 LN	M12X1.25	M12X1.25	21	44.5	11	17
6E9-14 LN	M14X1.5	M14X1.5	22	46.5	12	19
6E9-16 LN	M16X1.5	M16X1.5	23	48	14	22
6E9-18 LN	M18X1.5	M18X1.5	25	50	17	24
6E9-22 LN	M22X1.5	M22X1.5	29	54	19	30
6E9-27 LN	M27X1.5	M27X1.5	35	58.5	27	36
6E9-30 LN	M30X1.5	M30X1.5	36	61.5	27	41
6E9-36 LN	M36X2	M36X2	42	71	33	46
6E9-39 LN	M39X2	M39X2	47	76	41	50
6E9-42 LN	M42X2	M42X2	50	78	41	50
6E9-45 LN	M45X2	M45X2	50	81	41	55
6E9-52 LN	M52X2	M52X2	56	86	48	65

Please delete "LN" after the part number if don't need with lock nut, for example 6E-16.

E. METRIC ADAPTERS

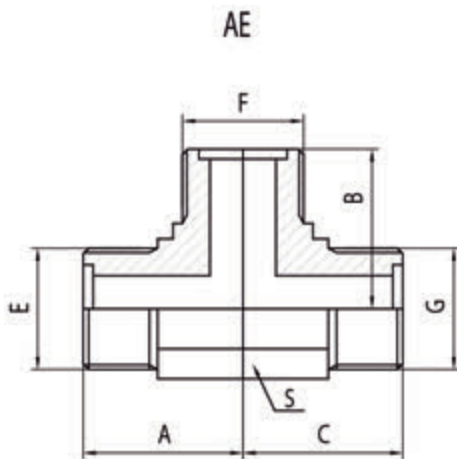


METRIC FEMALE FACE PLUG



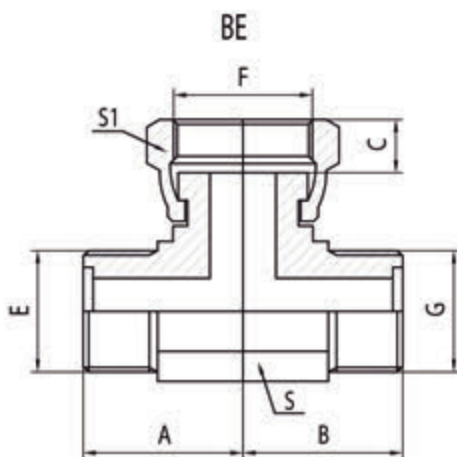
Part No.	Thread		Dimensions		
	E		L	B	S
9E-12-12	M12X1.25		10	8	14
9E-14-14	M14X1.5		10.5	8	17
9E-16-16	M16X1.5		11.5	8	19
9E-18-18	M18X1.5		13	8.5	22
9E-22-22	M22X1.5		13	10	27
9E-27-27	M27X1.5		15	10.5	32
9E-30-30	M30X1.5		15	11	36
9E-36-36	M36X2		17	13	41
9E-39-39	M39X2		18	13	46
9E-42-42	M42X2		19	15	50
9E-45-45	M45X2		19	15	55
9E-52-52	M52X2		19	17	60

METRIC MALE O-RING TEE



Part No.	Thread		Dimensions			
	E	F G	A	B	C	S
AE-14	M14X1.5		22	22	22	12
AE-16	M16X1.5		23	23	23	14
AE-18	M18X1.5		25	25	25	17
AE-22	M22X1.5		29	29	29	19
AE-27	M27X1.5		35	35	35	27
AE-30	M30X1.5		36	36	36	27
AE-36	M36X2		42	42	42	33
AE-39	M39X2		47	47	47	41
AE-42	M42X2		50	50	50	41
AE-45	M45X2		50	50	50	41
AE-52	M52X2		56	56	56	48

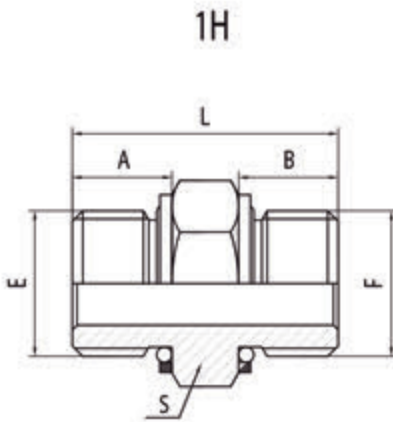
METRIC MALE O-RING TEE



Part No.	Thread		Dimensions				
	E	F G	A	B	C	S	S1
BE-14-14-14	M14X1.5		22	22	9	12	19
BE-16-16-16	M16X1.5		23	23	9.5	14	22
BE-18-18-18	M18X1.5		25	25	9.5	17	24
BE-22-22-22	M22X1.5		29	29	10	19	27
BE-27-27-27	M27X1.5		35	35	11	27	32
BE-30-30-30	M30X1.5		36	36	11.5	27	36
BE-36-36-36	M36X2		42	42	13.5	33	41
BE-39-39-39	M39X2		47	47	13.5	41	46
BE-42-42-42	M42X2		50	50	15.5	41	50
BE-45-45-45	M45X2		50	50	15.5	41	55
BE-52-52-52	M52X2		56	56	17.5	48	60



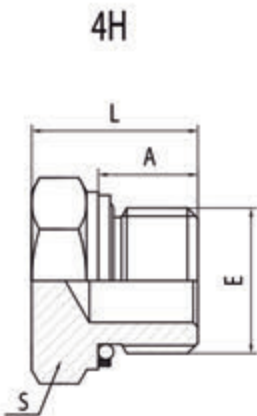
METRIC MALE



Part No.	Thread		Dimensions			
	E	F	A	B	L	S
1H-10-10	M10X1	M10X1	8	8	22	14
1H-12-12	M12X1.5	M12X1.5	12	12	30	17
1H-14-14	M14X1.5	M14X1.5	12	12	30	19
1H-16-16	M16X1.5	M16X1.5	12	12	32	22
1H-18-18	M18X1.5	M18X1.5	12	12	32	24
1H-22-22	M22X1.5	M22X1.5	15	15	39	27
1H-27-27	M27X2	M27X2	16	16	42	32
1H-33-33	M33X2	M33X2	18	18	48	41
1H-42-42	M42X2	M42X2	20	20	54	50
1H-48-48	M48X2	M48X2	22	22	59	55

Please add "TO" after the part number if there is nowasher out of the O-ring on the product, for example 1H-16-16 TO

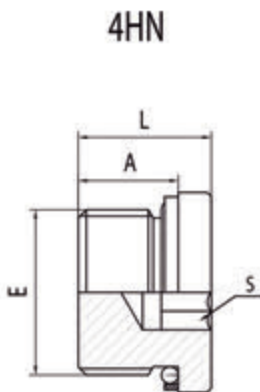
METRIC MALE PLUG



Part No.	Thread		Dimensions		
	E		A	L	S
4H-12	M12X1.5		12	19.5	17
4H-14	M14X1.5		12	19.5	19
4H-16	M16X1.5		12	22	22
4H-18	M18X1.5		12	22	24
4H-22	M22X1.5		15	25	27
4H-27	M27X2		16	29	32
4H-33	M33X2		18	33	41
4H-42	M42X2		20	37	50

Please add "TO" after the part number if there is nowasher out of the O-ring on the product, for example 4H-16 TO

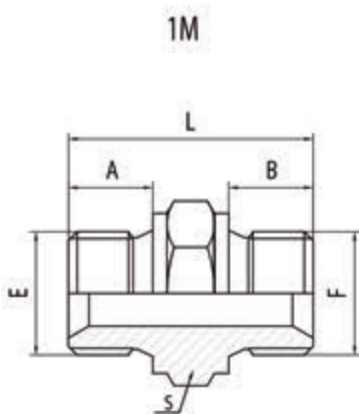
METRIC MALE PLUG



Part No.	Thread		Dimensions		
	E		A	L	S
4HN-10	M10X1		8	12	5
4HN-12	M12X1.5		12	16	6
4HN-14	M14X1.5		12	17	6
4HN-16	M16X1.5		12	17	8
4HN-18	M18X1.5		12	17	8
4HN-22	M22X1.5		15	20	10
4HN-27	M27X2		16	21	12
4HN-33	M33X2		18	24	17
4HN-42	M42X2		20	26	22
4HN-48	M48X2		22	28	24

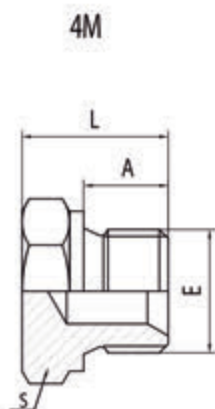
Please add "TO" after the part number if there is nowasher out of the O-ring on the product, for example 4HN-16 TO

METRIC MALE DOUBLE USE FOR 60° SEAT OR BONDED SEAL



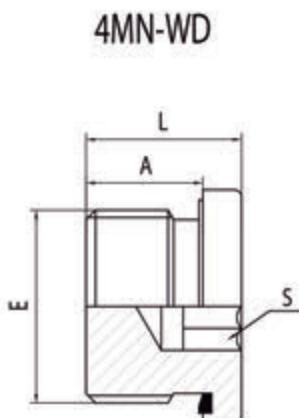
Part No.	Thread		Dimensions			
	E	F	A	B	L	S
1M-10-10	M10X1	M10X1	8	8	24	14
1M-12-10	M12X1.5	M10X1	10	8	26	17
1M-12-12	M12X1.5	M12X1.5	10	10	28	17
1M-14-12	M14X1.5	M12X1.5	12	10	30	19
1M-14-14	M14X1.5	M14X1.5	12	12	32	19
1M-16-14	M16X1.5	M14X1.5	12	12	36	22
1M-16-16	M16X1.5	M16X1.5	12	12	36	22
1M-18-16	M18X1.5	M16X1.5	12	12	36	24
1M-18-18	M18X1.5	M18X1.5	12	12	36	24
1M-22-20	M22X1.5	M20X1.5	14	12	40	27
1M-22-22	M22X1.5	M22X1.5	14	14	42	27
1M-26-26	M26X1.5	M26X1.5	16	16	46	32
1M-27-27	M27X2	M27X2	16	16	46	32
1M-30-30	M30X2	M30X2	18	18	53	36

METRIC MALE DOUBLE USE FOR 60° SEAT OR BONDED SEAL PLUG



Part No.	Thread		Dimensions		
	E		A	L	S
4M-10	M10X1		8	15	14
4M-12	M12X1.5		10	18	17
4M-14	M14X1.5		12	18.5	19
4M-16	M16X1.5		12	22	22
4M-18	M18X1.5		12	22	24
4M-20	M20X1.5		12	22	27
4M-22	M22X1.5		14	25	27
4M-26	M26X1.5		16	28	32
4M-27	M27X2		16	28	32
4M-30	M30X2		18	32	36

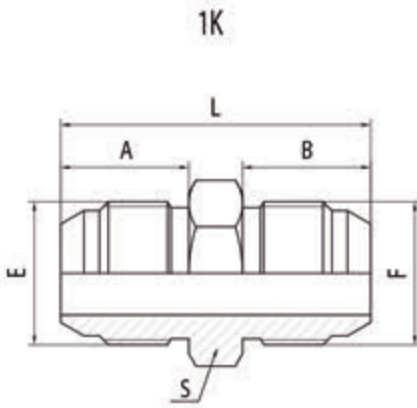
METRIC MALE CAPTIVE SEAL HOLLOW HEX PLUG



Part No.	Thread		Dimensions		
	E		A	L	S
4MN-10WD	M10X1		8	12.3	5
4MN-12WD	M12X1.5		12	17.3	6
4MN-14WD	M14X1.5		12	17.3	6
4MN-16WD	M16X1.5		12	17.3	8
4MN-18WD	M18X1.5		12	17.3	8
4MN-20WD	M20X1.5		14	19.3	10
4MN-22WD	M22X1.5		14	19.3	10
4MN-26WD	M26X1.5		16	21.3	12
4MN-27WD	M27X2		16	21.3	12
4MN-33WD	M33X2		16	22.8	17
4MN-42WD	M42X2		16	22.8	22
4MN-48WD	M48X2		16	22.8	24

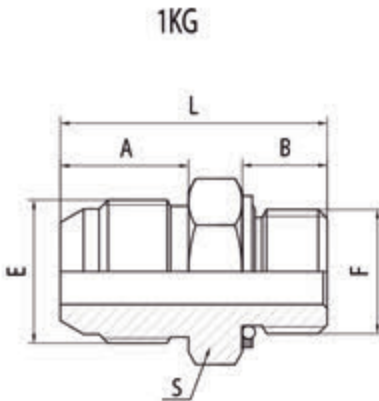


JIS METRIC MALE 60° CONE



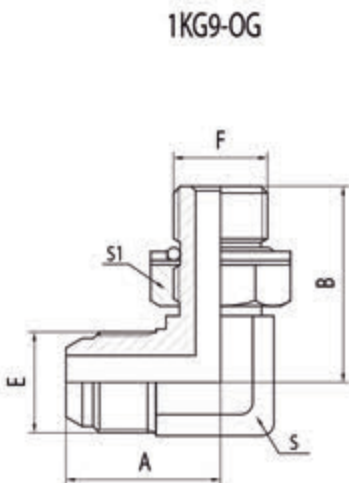
Part No.	Thread		Dimensions			
	E	F	A	B	L	S
1K-14-14	M14X1.5	M14X1.5	17	17	40	17
1K-16-16	M16X1.5	M16X1.5	18	18	42	17
1K-18-18	M18X1.5	M18X1.5	18	18	42	19
1K-20-20	M20X1.5	M20X1.5	20	20	48	22
1K-22-22	M22X1.5	M22X1.5	20	20	48	24
1K-24-24	M24X1.5	M24X1.5	21.5	21.5	52	27
1K-30-30	M30X1.5	M30X1.5	26	26	62	32
1K-33-33	M33X1.5	M33X1.5	30	30	71	36
1K-36-36	M36X1.5	M36X1.5	33	33	78	41
1K-42-42	M42X1.5	M42X1.5	36	36	85	46

JIS METRIC MALE 60° CONE/BSP MALE O-RING



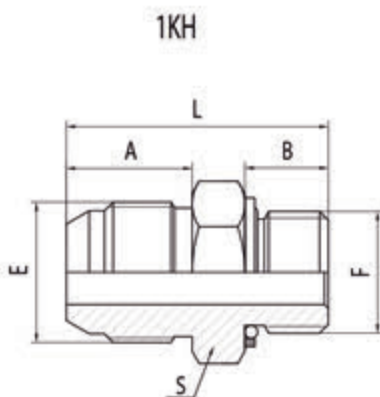
Part No.	Thread		Dimensions			
	E	F	A	B	L	S
1KG-14-04	M14X1.5	G1/4"-19	17	12	36	19
1KG-14-06	M14X1.5	G3/8"-19	17	12	37	22
1KG-16-06	M16X1.5	G3/8"-19	18	12	38	22
1KG-18-06	M18X1.5	G3/8"-19	18	12	38	22
1KG-22-08	M22X1.5	G1/2"-14	20	14	43	27
1KG-30-12	M30X1.5	G3/4"-14	26	16	52	32
1KG-33-12	M33X1.5	G3/4"-14	30	16	57	36
1KG-33-16	M33X1.5	G1"-11	30	18	60	41

90° JIS METRIC MALE 60° CONE/BSP MALE O-RING ADJUSTABLE STUD END



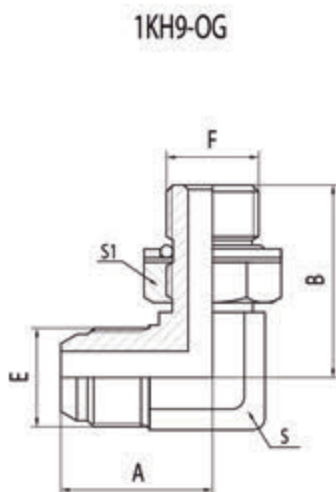
Part No.	Thread		Dimensions			
	E	F	A	B	S	S1
1KG9-14-04 OG	M14X1.5	G1/4"-19	29	32	14	19
1KG9-14-06 OG	M14X1.5	G3/8"-19	29	32	14	22
1KG9-16-06 OG	M16X1.5	G3/8"-19	33	35	19	22
1KG9-18-06 OG	M18X1.5	G3/8"-19	33	35	19	22
1KG9-22-08 OG	M22X1.5	G1/2"-14	37	44	22	27
1KG9-24-08 OG	M24X1.5	G1/2"-14	42	50	27	27
1KG9-24-12 OG	M24X1.5	G3/4"-14	42	50	27	32
1KG9-30-12 OG	M30X1.5	G3/4"-14	45	50	27	32
1KG9-33-16 OG	M33X1.5	G1"-11	54	55.5	33	41
1KG9-42-20 OG	M42X1.5	G1.1/4"-11	60	57	41	50

JIS METRIC MALE 60° CONE/METRIC MALE ADJUSTABLE STUD END



Part No.	Thread		Dimensions			
	E	F	A	B	L	S
1KH-14-12	M14X1.5	M12X1.5	17	12	35	17
1KH-14-14	M14X1.5	M14X1.5	17	12	35	19
1KH-16-14	M16X1.5	M14X1.5	18	12	36	19
1KH-18-14	M18X1.5	M14X1.5	18	12	36	19
1KH-18-16	M18X1.5	M16X1.5	18	12	38	22
1KH-18-20	M18X1.5	M20X1.5	18	12	39	27
1KH-20-18	M20X1.5	M18X1.5	20	12	40	24
1KH-22-20	M22X1.5	M20X1.5	20	12	41	27
1KH-24-22	M24X1.5	M22X1.5	21.5	15	45.5	27
1KH-30-27	M30X1.5	M27X2	26	16	52	32
1KH-36-33	M36X1.5	M33X2	33	18	63	41

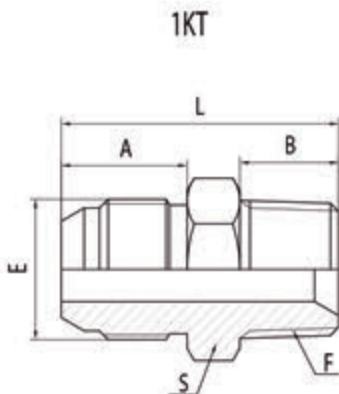
90° JIS METRIC MALE 60° CONE/METRIC MALE ADJUSTABLE STUD END



Part No.	Thread		Dimensions			
	E	F	A	B	S	S1
1KH9-14-12 OG	M14X1.5	M12X1.5	29	32	14	17
1KH9-14-14 OG	M14X1.5	M14X1.5	29	33	14	19
1KH9-16-14 OG	M16X1.5	M14X1.5	33	36	19	19
1KH9-18-14 OG	M18X1.5	M14X1.5	33	36	19	19
1KH9-18-16 OG	M18X1.5	M16X1.5	33	35	19	22
1KH9-20-18 OG	M20X1.5	M18X1.5	37	39.5	22	24
1KH9-22-20 OG	M22X1.5	M20X1.5	37	41	22	27
1KH9-24-20 OG	M24X1.5	M20X1.5	42	43	27	27
1KH9-24-22 OG	M24X1.5	M22X1.5	42	45	27	27
1KH9-30-27 OG	M30X1.5	M27X2	45	50	27	32
1KH9-36-33 OG	M36X1.5	M33X2	57	54	33	41

Please add "TO" after the part number if there is nowasher out of the O-ring on the product, for example 1KH9-16-14 OG/TO

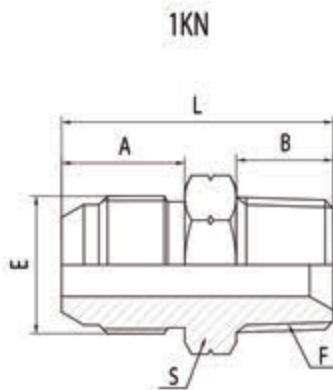
JIS METRIC MALE 60° CONE/BSPT MALE



Part No.	Thread		Dimensions			
	E	F	A	B	L	S
1KT-14-04	M14X1.5	ZG1/4"-19	17	14.5	37.5	17
1KT-14-06	M14X1.5	ZG3/8"-19	17	14.5	37.5	19
1KT-16-06	M16X1.5	ZG3/8"-19	18	14.5	38.5	19
1KT-18-06	M18X1.5	ZG3/8"-19	18	14.5	38.5	19
1KT-20-06	M20X1.5	ZG3/8"-19	20	14.5	42.5	22
1KT-22-06	M22X1.5	ZG3/8"-19	20	14.5	42.5	24
1KT-22-08	M22X1.5	ZG1/2"-14	20	19.5	47.5	24
1KT-24-08	M24X1.5	ZG1/2"-14	21.5	19.5	50	27
1KT-24-12	M24X1.5	ZG3/4"-14	21.5	19.5	50	30
1KT-30-12	M30X1.5	ZG3/4"-14	26	19.5	55.5	32
1KT-36-20	M36X1.5	ZG1.1/4"-11	33	25	71	46
1KT-42-24	M42X1.5	ZG1.1/2"-11	36	25	75	50

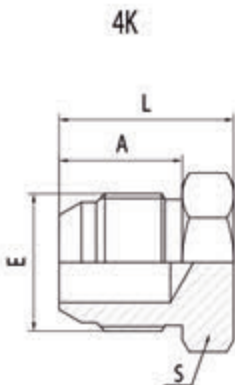


JIS METRIC MALE 60° CONE/NPT MALE



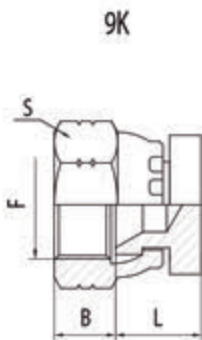
Part No.	Thread		Dimensions			
	E	F	A	B	L	S
1KN-14-04	M14X1.5	Z1/4"-18	17	14.5	37.5	17
1KN-16-06	M16X1.5	Z3/8"-18	18	14.5	38.5	19
1KN-18-06	M18X1.5	Z3/8"-18	18	14.5	38.5	19
1KN-20-06	M20X1.5	Z3/8"-18	20	14.5	42.5	22
1KN-22-08	M22X1.5	Z1/2"-14	20	19.5	47.5	24
1KN-24-08	M24X1.5	Z1/2"-14	21.5	19.5	50	27
1KN-30-12	M30X1.5	Z3/4"-14	26	19.5	55.5	32
1KN-33-16	M33X1.5	Z1"-11.5	30	24.5	65	36
1KN-36-20	M36X1.5	Z1.1/4"-11.5	33	25	71	46
1KN-42-24	M42X1.5	Z1.1/2"-11.5	36	25	75	50

JIS METRIC MALE 60° CONE PLUG



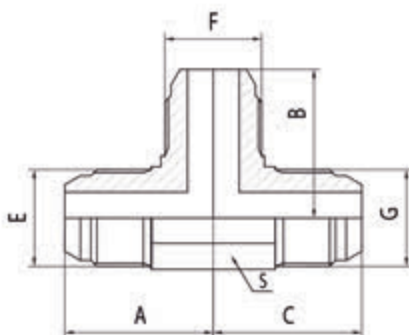
Part No.	Thread		Dimensions		
	E		A	L	S
4K-14	M14X1.5		17	23	17
4K-16	M16X1.5		18	24	17
4K-18	M18X1.5		18	24	19
4K-20	M20X1.5		20	28	22
4K-22	M22X1.5		20	28	24
4K-24	M24X1.5		21.5	31.5	27
4K-30	M30X1.5		26	36	32
4K-33	M33X1.5		30	41	36

JIS METRIC FEMALE 60° SEAT PLUG



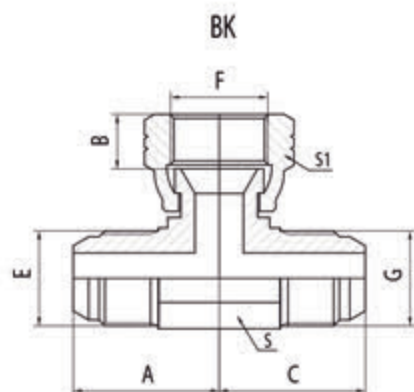
Part No.	Thread		Dimensions		
	E		B	L	S
9K-14	M14X1.5		10	14	19
9K-16	M16X1.5		9.5	16	22
9K-18	M18X1.5		11	17	24
9K-22	M22X1.5		14	17	27
9K-24	M24X1.5		13.5	18	32
9K-30	M30X1.5		20	19.5	36
9K-33	M33X1.5		20.5	21	41

AK



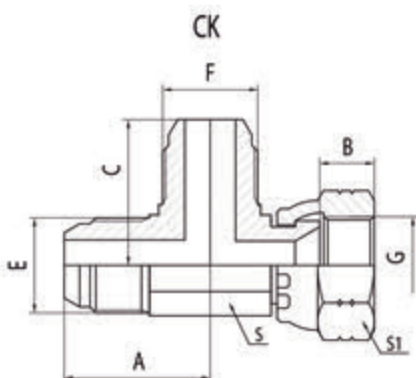
JIS METRIC MALE 60° CONE TEE

Part No.	Thread			Dimensions			
	E	F	G	A	B	C	S
AK-14	M14X1.5	M14X1.5	M14X1.5	29	29	29	14
AK-16	M16X1.5	M16X1.5	M16X1.5	31	31	31	17
AK-18	M18X1.5	M18X1.5	M18X1.5	33	33	33	19
AK-22	M22X1.5	M22X1.5	M22X1.5	37	37	37	22
AK-24	M24X1.5	M24X1.5	M24X1.5	38	38	38	24
AK-30	M30X1.5	M30X1.5	M30X1.5	45	45	45	27
AK-33	M33X1.5	M33X1.5	M33X1.5	55	55	55	33



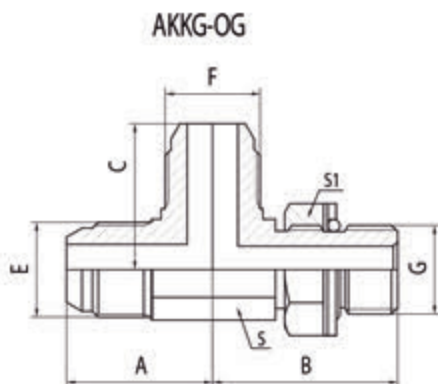
JIS METRIC MALE 60° CONE/FEMALE 60° SEAT BRANCH TEE

Part No.	Thread			Dimensions				
	E	F	G	A	B	C	S	S1
BK-14-14-14	M14X1.5	M14X1.5	M14X1.5	29	10	29	14	19
BK-16-16-16	M16X1.5	M16X1.5	M16X1.5	31	9.5	31	17	22
BK-18-18-18	M18X1.5	M18X1.5	M18X1.5	33	11	33	19	24
BK-22-22-22	M22X1.5	M22X1.5	M22X1.5	37	14	37	22	27
BK-24-24-24	M24X1.5	M24X1.5	M24X1.5	38	13.5	38	24	32
BK-30-30-30	M30X1.5	M30X1.5	M30X1.5	45	20	45	27	36
BK-33-33-33	M33X1.5	M33X1.5	M33X1.5	55	20.5	55	33	41



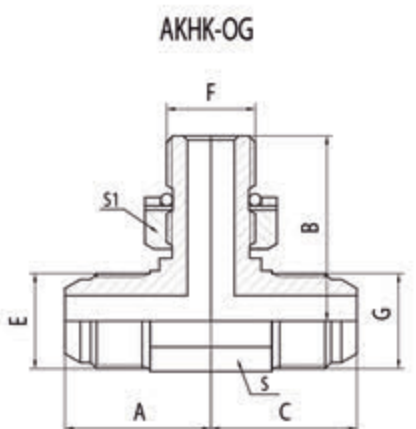
JIS METRIC MALE 60° CONE/FEMALE 60° SEAT RUN TEE

Part No.	Thread			Dimensions				
	E	F	G	A	B	C	S	S1
CK-14-14-14	M14X1.5	M14X1.5	M14X1.5	29	10	29	14	19
CK-16-16-16	M16X1.5	M16X1.5	M16X1.5	31	9.5	31	17	22
CK-18-18-18	M18X1.5	M18X1.5	M18X1.5	33	11	33	19	24
CK-22-22-22	M22X1.5	M22X1.5	M22X1.5	37	14	37	22	27
CK-24-24-24	M24X1.5	M24X1.5	M24X1.5	38	13.5	38	24	32
CK-30-30-30	M30X1.5	M30X1.5	M30X1.5	45	20	45	27	36
CK-33-33-33	M33X1.5	M33X1.5	M33X1.5	55	20.5	55	33	41



JIS METRIC MALE 60° CONE/BSP MALE O-RING ADJUSTABLE STUD END RUN TEE

Part No.	Thread			Dimensions				
	E	F	G	A	B	C	S	S1
AKKG-14-14-04 OG	M14X1.5	M14X1.5	G1/4"-19	29	32	29	14	19
AKKG-14-14-06 OG	M14X1.5	M14X1.5	G3/8"-19	29	32	29	14	22
AKKG-16-16-06 OG	M16X1.5	M16X1.5	G3/8"-19	33	35	33	19	22
AKKG-18-18-06 OG	M18X1.5	M18X1.5	G3/8"-19	33	35	33	19	22
AKKG-22-22-08 OG	M22X1.5	M22X1.5	G1/2"-14	37	44	37	22	27
AKKG-24-24-08 OG	M24X1.5	M24X1.5	G1/2"-14	42	50	42	27	27
AKKG-24-24-12 OG	M24X1.5	M24X1.5	G3/4"-14	42	50	42	27	32
AKKG-30-30-12 OG	M30X1.5	M30X1.5	G3/4"-14	45	50	45	27	32
AKKG-33-33-16 OG	M33X1.5	M33X1.5	G1"-11	54	55.5	54	33	41

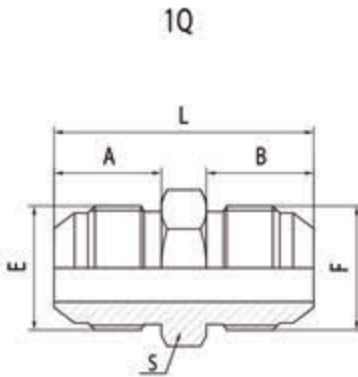


JIS METRIC MALE 60° CONE/METRIC MALE ADJUSTABLE STUD END BRANCH TEE

Part No.	Thread			Dimensions				
	E	F	G	A	B	C	S	S1
AKHK-14-12-14 OG	M14X1.5	M12X1.5	M14X1.5	29	32	29	14	17
AKHK-14-14-14 OG	M14X1.5	M14X1.5	M14X1.5	29	33	29	14	19
AKHK-16-14-16 OG	M16X1.5	M14X1.5	M16X1.5	33	36	33	19	19
AKHK-18-14-18 OG	M18X1.5	M14X1.5	M18X1.5	33	36	33	19	19
AKHK-18-16-18 OG	M18X1.5	M16X1.5	M18X1.5	33	35	33	19	22
AKHK-20-18-20 OG	M20X1.5	M18X1.5	M20X1.5	37	39.5	37	22	24
AKHK-22-20-22 OG	M22X1.5	M20X1.5	M22X1.5	37	41	37	22	27
AKHK-24-22-24 OG	M24X1.5	M22X1.5	M24X1.5	42	45	42	27	27
AKHK-30-27-30 OG	M30X1.5	M27X2	M30X1.5	45	50	45	27	32
AKHK-33-33-33 OG	M33X1.5	M33X2	M33X1.5	54	54	54	33	41
AKHK-36-33-36 OG	M36X1.5	M33X2	M36X1.5	57	54	57	33	41

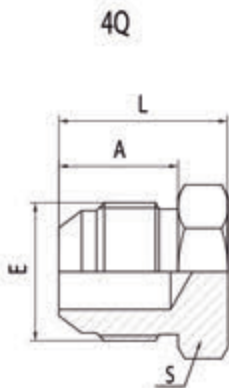


METRIC MALE 74° CONE



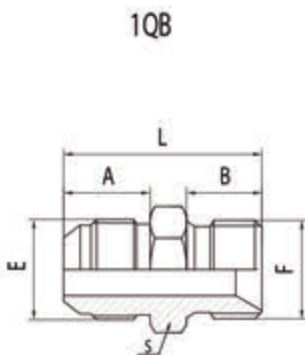
Part No.	Thread		Dimensions			
	E	F	A	B	L	S
1Q-10-10	M10X1	M10X1	12	12	30	12
1Q-12-12	M12X1.5	M12X1.5	16	16	38	14
1Q-14-14	M14X1.5	M14X1.5	16	16	38	17
1Q-16-16	M16X1.5	M16X1.5	18	18	42	17
1Q-18-18	M18X1.5	M18X1.5	17	17	40	19
1Q-22-22	M22X1.5	M22X1.5	19	19	46	24
1Q-24-24	M24X1.5	M24X1.5	20	20	49	27
1Q-27-27	M27X1.5	M27X1.5	20	20	49	30
1Q-30-30	M30X1.5	M30X1.5	23	23	55	32
1Q-33-33	M33X2	M33X2	26	26	62	36
1Q-36-36	M36X2	M36X2	26	26	63	41
1Q-39-39	M39X2	M39X2	26	26	63	41
1Q-42-42	M42X2	M42X2	28.5	28.5	70	46
1Q-45-45	M45X2	M45X2	28.5	28.5	70	46

METRIC MALE 74° CONE PLUG



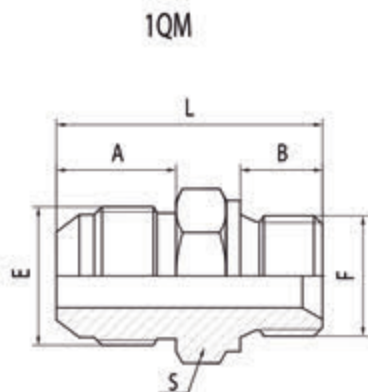
Part No.	Thread		Dimensions		
	E		A	L	S
4Q-10	M10X1		12	18	12
4Q-12	M12X1.5		16	22	14
4Q-14	M14X1.5		16	22	17
4Q-16	M16X1.5		18	24	17
4Q-18	M18X1.5		17	23	19
4Q-22	M22X1.5		19	27	24
4Q-24	M24X1.5		20	29	27
4Q-27	M27X1.5		20	29	30
4Q-30	M30X1.5		23	32	32
4Q-33	M33X2		26	36	36
4Q-36	M36X2		26	37	41
4Q-39	M39X2		26	37	41
4Q-42	M42X2		28.5	41.5	46
4Q-45	M45X2		28.5	41.5	46

METRIC MALE 74° CONE/BSP MALE 60° SEAT OR BONDED SEAL



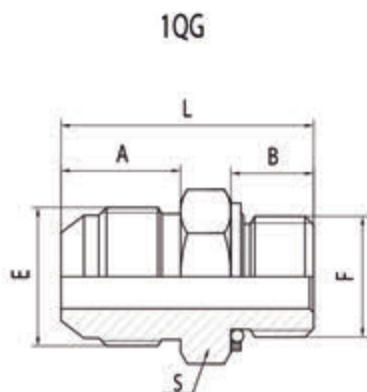
Part No.	Thread		Dimensions			
	E	F	A	B	L	S
1QB-12-02	M12X1.5	G1/8"-28	16	9	31	14
1QB-14-04	M14X1.5	G1/4"-19	16	12	34	19
1QB-16-06	M16X1.5	G3/8"-19	18	13.5	39.5	22
1QB-18-06	M18X1.5	G3/8"-19	17	13.5	38.5	22
1QB-22-08	M22X1.5	G1/2"-14	19	16	44	27
1QB-24-10	M24X1.5	G5/8"-14	20	16	45	30
1QB-27-12	M27X1.5	G3/4"-14	20	18	48	32
1QB-30-12	M30X1.5	G3/4"-14	23	18	51	32
1QB-33-16	M33X2	G1"-11	26	19	56.5	41
1QB-39-16	M39X2	G1"-11	26	19	56.5	41
1QB-45-20	M45X2	G1.1/4"-11	28.5	20	62	50

METRIC MALE 74° CONE/METRIC MALE 60° SEAT OR BONDED SEAL



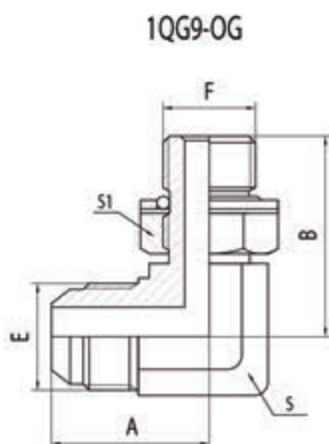
Part No.	Thread		Dimensions			
	E	F	A	B	L	S
1QM-10-10	M10X1	M10X1	12	8	28	14
1QM-12-10	M12X1.5	M10X1	16	8	30	14
1QM-12-12	M12X1.5	M12X1.5	16	10	34	17
1QM-14-12	M14X1.5	M12X1.5	16	10	34	17
1QM-14-14	M14X1.5	M14X1.5	16	11	35	19
1QM-16-16	M16X1.5	M16X1.5	18	12	40	22
1QM-18-16	M18X1.5	M16X1.5	17	12	39	22
1QM-18-18	M18X1.5	M18X1.5	17	12	39	24
1QM-22-18	M22X1.5	M18X1.5	19	12	41	24
1QM-22-22	M22X1.5	M22X1.5	19	14	44	27
1QM-27-22	M27X1.5	M22X1.5	20	14	45	30
1QM-27-27	M27X1.5	M27X1.5	20	14	46	32
1QM-30-27	M30X1.5	M27X1.5	23	14	49	32
1QM-33-27	M33X2	M27X1.5	26	14	54	36
1QM-36-33	M36X2	M33X2	26	18	59	41
1QM-39-33	M39X2	M33X2	26	18	59	41
1QM-42-42	M42X2	M42X2	28.5	20	65.5	50
1QM-45-42	M45X2	M42X2	28.5	20	65.5	50

METRIC MALE 74° CONE/BSP MALE O-RING



Part No.	Thread		Dimensions			
	E	F	A	B	L	S
1QG-14-04	M14X1.5	G1/4"-19	16	12	34	19
1QG-16-06	M16X1.5	G3/8"-19	18	12	38	22
1QG-18-06	M18X1.5	G3/8"-19	17	12	37	22
1QG-18-08	M18X1.5	G1/2"-14	17	14	40	27
1QG-22-08	M22X1.5	G1/2"-14	19	14	42	27
1QG-27-12	M27X1.5	G3/4"-14	20	16	46	32
1QG-30-12	M30X1.5	G3/4"-14	23	16	49	32
1QG-39-16	M39X2	G1"-11	26	18	55	41
1QG-45-20	M45X2	G1.1/4"-11	28.5	20	62.5	50

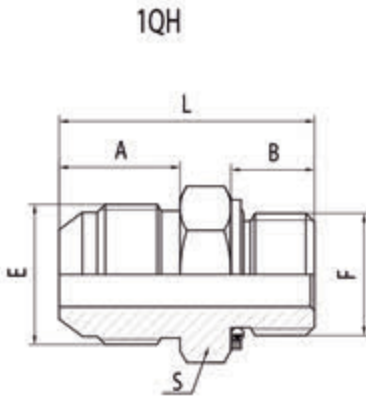
90° METRIC MALE 74° CONE/BSP MALE O-RING ADJUSTABLE STUD END



Part No.	Thread		Dimensions			
	E	F	A	B	S	S1
1QG9-14-04 OG	M14X1.5	G1/4"-19	29	32	14	19
1QG9-16-06 OG	M16X1.5	G3/8"-19	33	35	19	22
1QG9-18-06 OG	M18X1.5	G3/8"-19	32	35	19	22
1QG9-18-08 OG	M18X1.5	G1/2"-14	35	44	22	27
1QG9-22-08 OG	M22X1.5	G1/2"-14	37	44	22	27
1QG9-27-12 OG	M27X1.5	G3/4"-14	43	50	27	32
1QG9-30-12 OG	M30X1.5	G3/4"-14	44	50	27	32
1QG9-39-16 OG	M39X2	G1"-11	57	59	41	41
1QG9-45-20 OG	M45X2	G1.1/4"-11	62	60	48	50



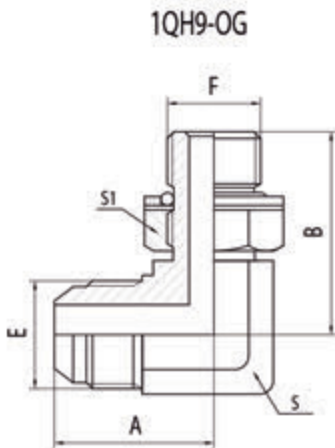
METRIC 74° CONE/METRIC MALE



Part No.	Thread		Dimensions			
	E	F	A	B	L	S
1QH-14-12	M14X1.5	M12X1.5	16	12	34	17
1QH-16-14	M16X1.5	M14X1.5	18	12	36	19
1QH-18-16	M18X1.5	M16X1.5	17	12	37	22
1QH-22-18	M22X1.5	M18X1.5	19	12	39	24
1QH-27-22	M27X1.5	M22X1.5	20	15	44	30
1QH-30-27	M30X1.5	M27X2	23	16	49	32
1QH-33-27	M33X2	M27X2	26	16	53	36
1QH-36-33	M36X2	M33X2	26	18	55	41
1QH-39-33	M39X2	M33X2	26	18	55	41
1QH-45-42	M45X2	M42X2	28.5	20	61.5	50

Please add "TO" after the part number if there is nowasher out of the O-ring on the product, for example "1QH-16-14 TO"

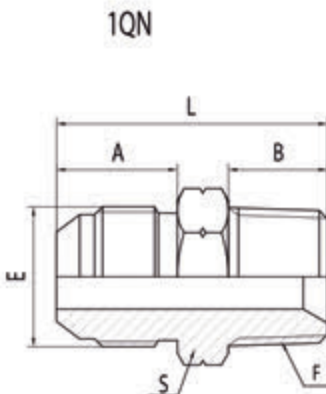
90° METRIC 74° CONE/METRIC MALE ADJUSTABLE STUD END



Part No.	Thread		Dimensions			
	E	F	A	B	S	S1
1QH9-14-12 OG	M14X1.5	M12X1.5	29	32	14	17
1QH9-16-14 OG	M16X1.5	M14X1.5	33	36	19	19
1QH9-18-16 OG	M18X1.5	M16X1.5	32	34	19	22
1QH9-22-18 OG	M22X1.5	M18X1.5	37	39	22	24
1QH9-27-22 OG	M27X1.5	M22X1.5	43	46	27	27
1QH9-30-27 OG	M30X1.5	M27X2	44	50	27	32
1QH9-33-27 OG	M33X2	M27X2	51	53	33	32
1QH9-36-33 OG	M36X2	M33X2	51	53.5	33	41
1QH9-39-33 OG	M39X2	M33X2	57	57	41	41
1QH9-45-42 OG	M45X2	M42X2	62	60	48	50

Please add "TO" after the part number if there is nowasher out of the O-ring on the product, for example "1QH9-16-14 OG/TO"

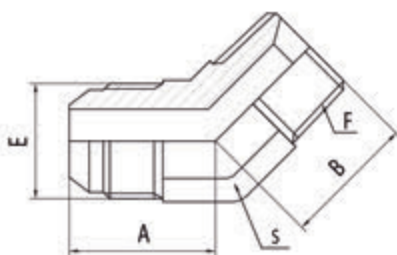
METRIC MALE 74° CONE/NPT MALE



Part No.	Thread		Dimensions			
	E	F	A	B	L	S
1QN-12-02	M12X1.5	Z1/8"-27	16	10	32	14
1QN-14-04	M14X1.5	Z1/4"-18	16	14.5	37	17
1QN-16-04	M16X1.5	Z1/4"-18	18	14.5	38	17
1QN-16-06	M16X1.5	Z3/8"-18	18	14.5	38	19
1QN-18-06	M18X1.5	Z3/8"-18	17	14.5	38	19
1QN-18-08	M18X1.5	Z1/2"-14	17	19.5	44.5	22
1QN-22-08	M22X1.5	Z1/2"-14	19	19.5	46	24
1QN-27-08	M27X1.5	Z1/2"-14	20	19.5	48.5	30
1QN-27-12	M27X1.5	Z3/4"-14	20	19.5	48.5	30
1QN-30-12	M30X1.5	Z3/4"-14	23	19.5	51	32
1QN-36-16	M36X2	Z1"-11.5	26	24.5	61	41
1QN-39-16	M39X2	Z1"-11.5	26	24.5	61	41
1QN-45-20	M45X2	Z1.1/4"-11.5	28.5	25	66.5	46
1QN-45-24	M45X2	Z1.1/2"-11.5	28.5	25	68	50
1QN-52-20	M52X2	Z1.1/4"-11.5	30	25	70	55

45°METRIC MALE 74°CONE/NPT MALE

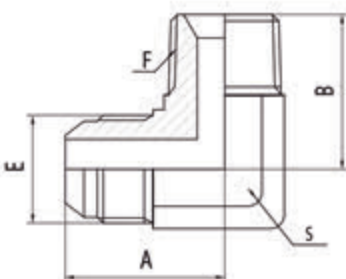
1QN4



Part No.	Thread		Dimensions			
	E	F	A	B	S	
1QN4-12-02	M12X1.5	Z1/8"-27	23	17.5	11	
1QN4-14-02	M14X1.5	Z1/8"-27	26	18	14	
1QN4-14-04	M14X1.5	Z1/4"-18	26	21	14	
1QN4-18-06	M18X1.5	Z3/8"-18	26	22	19	
1QN4-22-08	M22X1.5	Z1/2"-14	29.5	28	22	
1QN4-27-08	M27X1.5	Z1/2"-14	33	32	27	
1QN4-27-12	M27X1.5	Z3/4"-14	33	32	27	
1QN4-30-12	M30X1.5	Z3/4"-14	34	32	27	
1QN4-36-16	M36X2	Z1"-11.5	42	37	33	
1QN4-39-16	M39X2	Z1"-11.5	45	42	41	
1QN4-42-20	M42X2	Z1.1/4"-11.5	48	42	41	

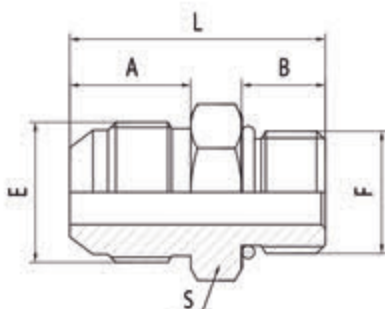
90°METRIC MALE 74°CONE/NPT MALE

1QN9



Part No.	Thread		Dimensions			
	E	F	A	B	S	
1QN9-12-02	M12X1.5	Z1/8"-27	25.5	21	11	
1QN9-12-04	M12X1.5	Z1/4"-18	28.5	25	14	
1QN9-14-02	M14X1.5	Z1/8"-27	28.5	22.5	14	
1QN9-14-04	M14X1.5	Z1/4"-18	28.5	25	14	
1QN9-16-04	M16X1.5	Z1/4"-18	31	27	17	
1QN9-16-06	M16X1.5	Z3/8"-18	31	27	17	
1QN9-18-04	M18X1.5	Z1/4"-18	31	27	17	
1QN9-18-06	M18X1.5	Z3/8"-18	31	27	17	
1QN9-22-06	M22X1.5	Z3/8"-18	37	30	22	
1QN9-22-08	M22X1.5	Z1/2"-14	37	30	22	
1QN9-27-12	M27X1.5	Z3/4"-14	43	41	27	
1QN9-30-12	M30X1.5	Z3/4"-14	44	41	27	
1QN9-36-16	M36X2	Z1"-11.5	51	46	33	
1QN9-39-16	M39X2	Z1"-11.5	55.5	51	41	
1QN9-42-20	M42X2	Z1.1/4"-11.5	57	51	41	
1QN9-45-20	M45X2	Z1.1/4"-11.5	62	55.5	48	
1QN9-45-24	M45X2	Z1.1/2"-11.5	62	58	48	

1QO

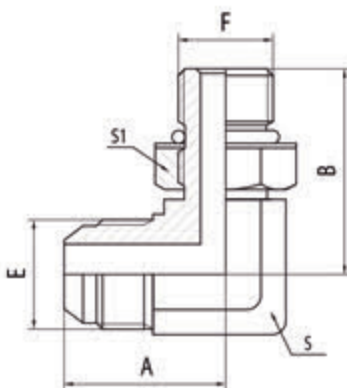


METRIC MALE 74°CONE/SAE MALE O-RING

Part No.	Thread		Dimensions			
	E	F	A	B	L	S
1QO-16-06	M16X1.5	U9/16"-18	18	9.93	34	17
1QO-18-08	M18X1.5	U3/4"-16	17	11.13	36	24
1QO-22-10	M22X1.5	U7/8"-14	19	12.7	40.5	27
1QO-27-12	M27X1.5	U1.1/16"-12	20	15.09	45	32
1QO-30-12	M30X1.5	U1.1/16"-12	23	15.09	48	32
1QO-33-16	M33X2	U1.5/16"-12	26	15.1	53	41
1QO-39-16	M39X2	U1.5/16"-12	26	15.1	53	41
1QO-42-20	M42X2	U1.5/8"-12	28.5	15.1	57.5	50



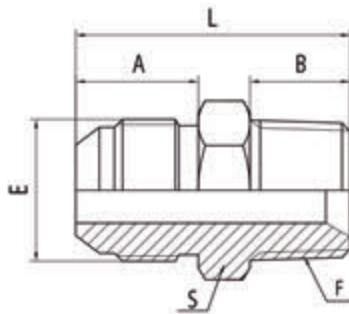
1Q09-OG



90°METRIC MALE 74°CONE/SAE MALE O-RING

Part No.	Thread		Dimensions			
	E	F	A	B	S	S1
1Q09-16-06 OG	M16X1.5	U9/16"-18	33	32	19	19
1Q09-18-08 OG	M18X1.5	U3/4"-16	35	37	22	24
1Q09-22-10 OG	M22X1.5	U7/8"-14	37	41	22	27
1Q09-27-12 OG	M27X1.5	U1.1/16"-12	43	50	27	32
1Q09-30-12 OG	M30X1.5	U1.1/16"-12	44	50	27	32
1Q09-33-16 OG	M33X2	U1.5/16"-12	51	53	33	41
1Q09-39-16 OG	M39X2	U1.5/16"-12	57	57	41	41
1Q09-42-20 OG	M42X2	U1.5/8"-12	58	59	41	50

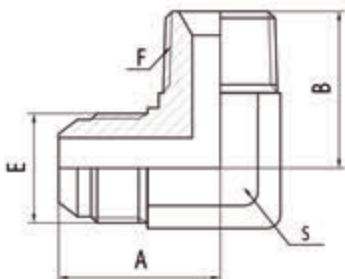
1QT



METRIC MALE 74°CONE/BSPT MALE

Part No.	Thread		Dimensions			
	E	F	A	B	L	S
1QT-10-02	M10X1	ZG1/8"-28	12	10	28	12
1QT-14-04	M14X1.5	ZG1/4"-19	16	14.5	37	17
1QT-14-06	M14X1.5	ZG3/8"-19	16	14.5	37	19
1QT-16-04	M16X1.5	ZG1/4"-19	18	14.5	38	17
1QT-16-06	M16X1.5	ZG3/8"-19	18	14.5	38	19
1QT-18-04	M18X1.5	ZG1/4"-19	17	14.5	38	19
1QT-18-06	M18X1.5	ZG3/8"-19	17	14.5	38	19
1QT-22-08	M22X1.5	ZG1/2"-14	19	19.5	46	24
1QT-27-08	M27X1.5	ZG1/2"-14	20	19.5	48.5	30
1QT-27-12	M27X1.5	ZG3/4"-14	20	19.5	48.5	30
1QT-30-12	M30X1.5	ZG3/4"-14	23	19.5	51	32
1QT-33-12	M33X2	ZG3/4"-14	26	19.5	56.5	36
1QT-36-16	M36X2	ZG1"-11	26	24.5	61	41
1QT-39-16	M39X2	ZG1"-11	26	24.5	61	41
1QT-45-20	M45X2	ZG1.1/4"-11	28.5	25	66.5	46

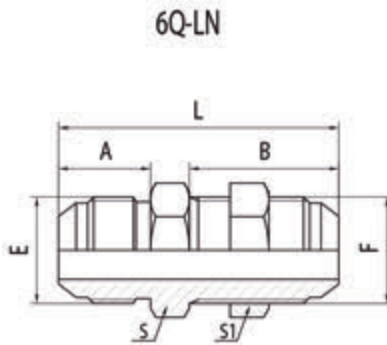
1QT9



90°METRIC MALE 74°CONE/BSPT MALE

Part No.	Thread		Dimensions		
	E	F	A	B	S
1QT9-14-04	M14X1.5	ZG1/4"-19	28.5	25	14
1QT9-16-04	M16X1.5	ZG1/4"-19	31	27	17
1QT9-18-06	M18X1.5	ZG3/8"-19	31	27	17
1QT9-18-08	M18X1.5	ZG1/2"-14	35	30	22
1QT9-22-08	M22X1.5	ZG1/2"-14	37	30	22
1QT9-27-08	M27X1.5	ZG1/2"-14	43	41	27
1QT9-27-12	M27X1.5	ZG3/4"-14	43	41	27
1QT9-30-12	M30X1.5	ZG3/4"-14	44	41	27
1QT9-33-12	M33X2	ZG3/4"-14	51	41	33
1QT9-36-16	M36X2	ZG1"-11	51	46	33
1QT9-39-16	M39X2	ZG1"-11	55.5	51	41
1QT9-45-20	M45X2	ZG1.1/4"-11	62	55.5	48

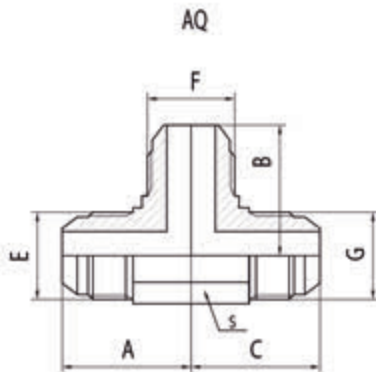
METRIC MALE 74° CONE BULKHEAD



Part No.	Thread		Dimensions				
	E	F	A	B	L	S	S1
6Q-10 LN	M10X1	M10X1	12	34	30	14	14
6Q-12 LN	M12X1.5	M12X1.5	16	38	60	17	17
6Q-14 LN	M14X1.5	M14X1.5	16	40	62	17	19
6Q-16 LN	M16X1.5	M16X1.5	18	41	65	19	22
6Q-18 LN	M18X1.5	M18X1.5	17	43	68	24	24
6Q-22 LN	M22X1.5	M22X1.5	19	44	72	27	27
6Q-24 LN	M24X1.5	M24X1.5	20	45	74	27	30
6Q-27 LN	M27X1.5	M27X1.5	20	48	78	30	32
6Q-30 LN	M30X1.5	M30X1.5	23	53	86	32	36
6Q-33 LN	M33X2	M33X2	26	55	92	36	41
6Q-36 LN	M36X2	M36X2	26	56	94	41	41
6Q-39 LN	M39X2	M39X2	26	58	96	41	46
6Q-42 LN	M42X2	M42X2	28.5	59	100.5	50	50
6Q-45 LN	M45X2	M45X2	28.5	60	101.5	50	50

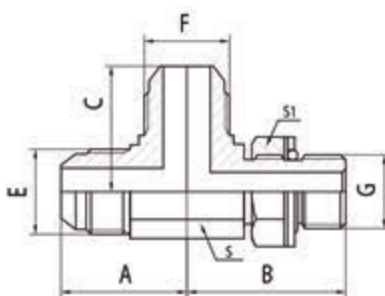
Please delete "LN" after the part number if don't need with lock nut, for example 6Q-22.

METRIC MALE 74° CONE TEE



Part No.	Thread			Dimensions			
	E	F	G	A	B	C	S
AQ-14	M14X1.5	M14X1.5	M14X1.5	27	27	27	14
AQ-16	M16X1.5	M16X1.5	M16X1.5	29.5	29.5	29.5	17
AQ-18	M18X1.5	M18X1.5	M18X1.5	32	32	32	19
AQ-22	M22X1.5	M22X1.5	M22X1.5	37	37	37	22
AQ-27	M27X1.5	M27X1.5	M27X1.5	41	41	41	27
AQ-30	M30X1.5	M30X1.5	M30X1.5	41	41	41	27
AQ-33	M33X2	M33X2	M33X2	51	51	51	33

AQQH-OG



METRIC 74° CONE/METRIC MALE ADJUSTABLE STUD END RUN TEE

Part No.	Thread			Dimensions				
	E	F	G	A	B	C	S	S1
AQQH-14-14-12 OG	M14X1.5	M14X1.5	M12X1.5	29	32	29	14	17
AQQH-16-16-14 OG	M16X1.5	M16X1.5	M14X1.5	33	36	33	19	19
AQQH-18-18-16 OG	M18X1.5	M18X1.5	M16X1.5	32	34	32	19	22
AQQH-22-22-18 OG	M22X1.5	M22X1.5	M18X1.5	37	39	37	22	24
AQQH-27-27-22 OG	M27X1.5	M27X1.5	M22X1.5	43	46	43	27	27
AQQH-30-30-27 OG	M30X1.5	M30X1.5	M27X2	44	50	44	27	32

AFAXXION FLEX







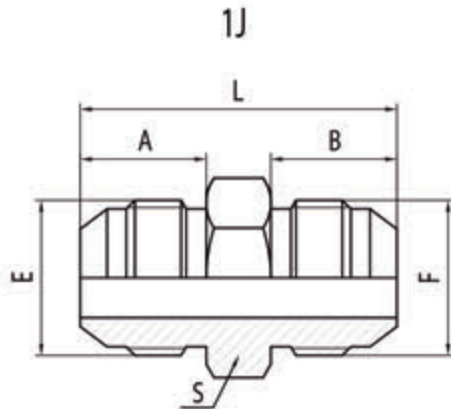
F. SAE ADAPTERS



F. SAE ADAPTERS

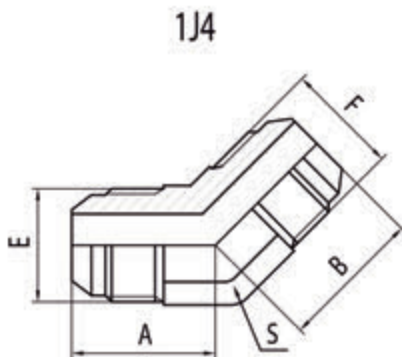


JIC MALE 74° CONE



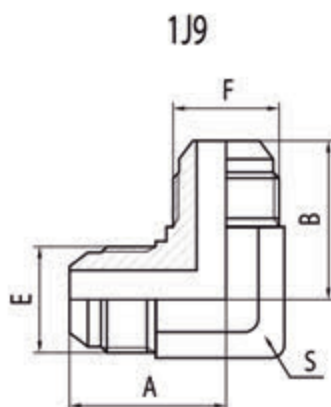
Part No.	Thread		Dimensions			
	E	F	A	B	L	S
1J-04-04	U7/16"-20	U7/16"-20	14	14	34	14
1J-05-04	U1/2"-20	U7/16"-20	14	14	34	14
1J-05-05	U1/2"-20	U1/2"-20	14	14	34	14
1J-06-04	U9/16"-18	U7/16"-20	14.1	14	34	17
1J-06-05	U9/16"-18	U1/2"-20	14.1	14	34	17
1J-06-06	U9/16"-18	U9/16"-18	14.1	14.1	35.5	17
1J-08-06	U3/4"-16	U9/16"-18	16.7	14.1	39	22
1J-08-08	U3/4"-16	U3/4"-16	16.7	16.7	42	22
1J-10-08	U7/8"-14	U3/4"-16	19.3	16.7	44	24
1J-10-10	U7/8"-14	U7/8"-14	19.3	19.3	47.5	24
1J-12-08	U1.1/16"-12	U3/4"-16	21.9	16.7	49	30
1J-12-10	U1.1/16"-12	U7/8"-14	21.9	19.3	52	30
1J-12-12	U1.1/16"-12	U1.1/16"-12	21.9	21.9	55	30
1J-14-12	U1.3/16"-12	U1.1/16"-12	22.6	21.9	55	32
1J-14-14	U1.3/16"-12	U1.3/16"-12	22.6	22.6	55	32
1J-16-12	U1.5/16"-12	U1.1/16"-12	23.1	21.9	56	36
1J-16-16	U1.5/16"-12	U1.5/16"-12	23.1	23.1	57	36
1J-20-16	U1.5/8"-12	U1.5/16"-12	24.3	23.1	60	46
1J-20-20	U1.5/8"-12	U1.5/8"-12	24.3	24.3	61	46
1J-24-24	U1.7/8"-12	U1.7/8"-12	27.5	27.5	69	50
1J-32-32	U2.1/2"-12	U2.1/2"-12	33.9	33.9	85	70

45° JIC MALE 74° CONE



Part No.	Thread		Dimensions		
	E	F	A	B	S
1J4-04-04	U7/16"-20	U7/16"-20	20.5	20.5	11
1J4-05-05	U1/2"-20	U1/2"-20	21	21	14
1J4-06-06	U9/16"-18	U9/16"-18	22	22	14
1J4-08-08	U3/4"-16	U3/4"-16	25	25	19
1J4-10-10	U7/8"-14	U7/8"-14	28	28	22
1J4-12-12	U1.1/16"-12	U1.1/16"-12	35	35	27
1J4-16-16	U1.5/16"-12	U1.5/16"-12	37	37	33
1J4-20-20	U1.5/8"-12	U1.5/8"-12	42	42	44
1J4-24-24	U1.7/8"-12	U1.7/8"-12	47	47	48

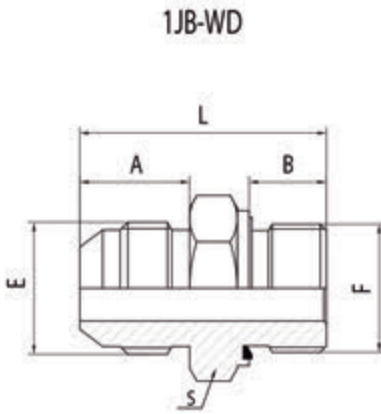
90° JIC MALE 74° CONE



Part No.	Thread		Dimensions		
	E	F	A	B	S
1J9-04-04	U7/16"-20	U7/16"-20	24	24	11
1J9-05-05	U1/2"-20	U1/2"-20	25	25	14
1J9-06-06	U9/16"-18	U9/16"-18	27	27	14
1J9-08-08	U3/4"-16	U3/4"-16	32	32	19
1J9-10-10	U7/8"-14	U7/8"-14	37	37	22
1J9-12-12	U1.1/16"-12	U1.1/16"-12	43	43	27
1J9-16-16	U1.5/16"-12	U1.5/16"-12	48	48	33
1J9-20-20	U1.5/8"-12	U1.5/8"-12	57	57	44
1J9-24-24	U1.7/8"-12	U1.7/8"-12	59	59	48
1J9-32-32	U2.1/2"-12	U2.1/2"-12	65	65	65

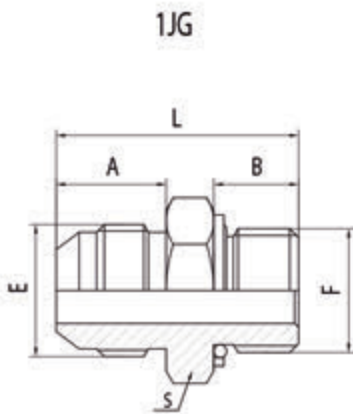


JIC MALE 74° CONE/BSP MALE CAPTIVE SEAL



Part No.	Thread		Dimensions			
	E	F	A	B	L	S
1JB-04-02WD	U7/16"-20	G1/8"-28	14	8	29	14
1JB-04-04WD	U7/16"-20	G1/4"-19	14	12	33	19
1JB-04-06WD	U7/16"-20	G3/8"-19	14	12	35	22
1JB-05-04WD	U1/2"-20	G1/4"-19	14	12	33	19
1JB-05-06WD	U1/2"-20	G3/8"-19	14	12	35	22
1JB-06-04WD	U9/16"-18	G1/4"-19	14.1	12	34	19
1JB-06-06WD	U9/16"-18	G3/8"-19	14.1	12	35	22
1JB-08-06WD	U3/4"-16	G3/8"-19	16.7	12	38	22
1JB-08-08WD	U3/4"-16	G1/2"-14	16.7	14	41.5	27
1JB-10-08WD	U7/8"-14	G1/2"-14	19.3	14	44	27
1JB-10-12WD	U7/8"-14	G3/4"-14	19.3	16	46	32
1JB-12-08WD	U1.1/16"-12	G1/2"-14	21.9	14	47	30
1JB-12-12WD	U1.1/16"-12	G3/4"-14	21.9	16	48	32
1JB-12-16WD	U1.1/16"-12	G1"-11	21.9	18	54	41
1JB-16-12WD	U1.5/16"-12	G3/4"-14	23.1	16	53	36
1JB-16-16WD	U1.5/16"-12	G1"-11	23.1	18	55	41
1JB-16-20WD	U1.5/16"-12	G1.1/4"-11	23.1	20	60	50
1JB-20-16WD	U1.5/8"-12	G1"-11	24.3	18	58	46
1JB-20-20WD	U1.5/8"-12	G1.1/4"-11	24.3	20	62	50
1JB-24-24WD	U1.7/8"-12	G1.1/2"-11	27.5	20	65	55

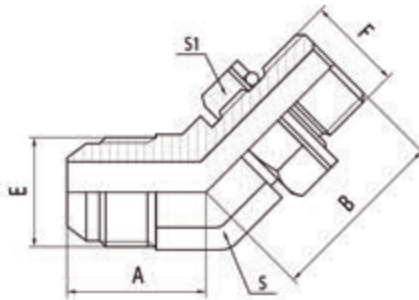
JIC MALE 74° CONE/BSP MALE O-RING



Part No.	Thread		Dimensions			
	E	F	A	B	L	S
1JG-04-02	U7/16"-20	G1/8"-28	14	8	29	14
1JG-04-04	U7/16"-20	G1/4"-19	14	12	33	19
1JG-04-06	U7/16"-20	G3/8"-19	14	12	34	22
1JG-05-04	U1/2"-20	G1/4"-19	14	12	33	19
1JG-05-06	U1/2"-20	G3/8"-19	14	12	34	22
1JG-06-04	U9/16"-18	G1/4"-19	14.1	12	33	19
1JG-06-06	U9/16"-18	G3/8"-19	14.1	12	34	22
1JG-06-08	U9/16"-18	G1/2"-14	14.1	14	37	27
1JG-08-06	U3/4"-16	G3/8"-19	16.7	12	37	22
1JG-08-08	U3/4"-16	G1/2"-14	16.7	14	39	27
1JG-08-12	U3/4"-16	G3/4"-14	16.7	16	43	32
1JG-10-08	U7/8"-14	G1/2"-14	19.3	14	42	27
1JG-10-12	U7/8"-14	G3/4"-14	19.3	16	45	32
1JG-12-08	U1.1/16"-12	G1/2"-14	21.9	14	45	30
1JG-12-12	U1.1/16"-12	G3/4"-14	21.9	16	48.5	32
1JG-12-16	U1.1/16"-12	G1"-11	21.9	18	52	41
1JG-16-12	U1.5/16"-12	G3/4"-14	23.1	16	49.5	36
1JG-16-16	U1.5/16"-12	G1"-11	23.1	18	52.5	41
1JG-20-16	U1.5/8"-12	G1"-11	24.3	18	55	50
1JG-20-20	U1.5/8"-12	G1.1/4"-11	24.3	20	58	50
1JG-24-20	U1.7/8"-12	G1.1/4"-11	27.5	20	61	50
1JG-24-24	U1.7/8"-12	G1.1/2"-11	27.5	22	64	55

45°JIC MALE 74°CONE/BSP MALE O-RING

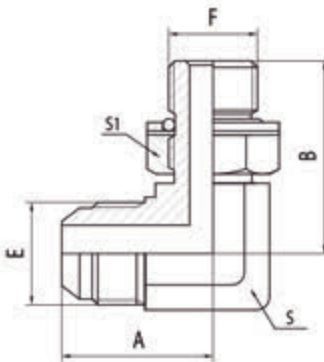
1JG4-OG



Part No.	Thread		Dimensions			
	E	F	A	B	S	S1
1JG4-04-04 OG	U7/16"-20	G1/4"-19	21	28	14	19
1JG4-05-04 OG	U1/2"-20	G1/4"-19	21	28	14	19
1JG4-06-04 OG	U9/16"-18	G1/4"-19	21	28	14	19
1JG4-06-06 OG	U9/16"-18	G3/8"-19	23	32	19	22
1JG4-06-08 OG	U9/16"-18	G1/2"-14	24	37	22	27
1JG4-08-06 OG	U3/4"-16	G3/8"-19	27	32	19	22
1JG4-08-08 OG	U3/4"-16	G1/2"-14	28	37	22	27
1JG4-08-12 OG	U3/4"-16	G3/4"-14	30	42	27	32
1JG4-10-06 OG	U7/8"-14	G3/8"-19	30	32	22	22
1JG4-10-08 OG	U7/8"-14	G1/2"-14	30	37	22	27
1JG4-10-12 OG	U7/8"-14	G3/4"-14	32	42	27	32
1JG4-12-08 OG	U1.1/16"-12	G1/2"-14	35	41	27	27
1JG4-12-12 OG	U1.1/16"-12	G3/4"-14	35	42	27	32
1JG4-12-16 OG	U1.1/16"-12	G1"-11	37	45	33	41
1JG4-16-12 OG	U1.5/16"-12	G3/4"-14	38	42	33	32
1JG4-16-16 OG	U1.5/16"-12	G1"-11	38	45	33	41
1JG4-16-20 OG	U1.5/16"-12	G1.1/4"-11	42	47	41	50
1JG4-20-20 OG	U1.5/8"-12	G1.1/4"-11	43	47	41	50
1JG4-24-24 OG	U1.7/8"-12	G1.1/2"-11	47	52	48	55

90°JIC MALE 74°CONE/BSP MALE O-RING

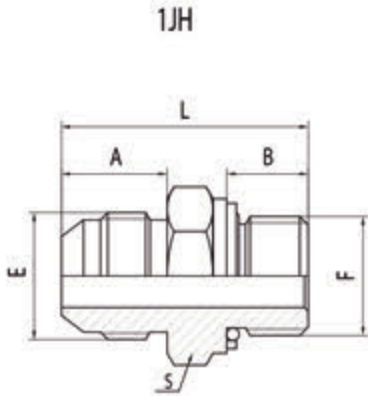
1JG9-OG



Part No.	Thread		Dimensions			
	E	F	A	B	S	S1
1JG9-04-02 OG	U7/16"-20	G1/8"-28	23	26.5	11	14
1JG9-04-04 OG	U7/16"-20	G1/4"-19	26	32	14	19
1JG9-04-06 OG	U7/16"-20	G3/8"-19	28	35	19	22
1JG9-05-04 OG	U1/2"-20	G1/4"-19	26	32	14	19
1JG9-05-06 OG	U1/2"-20	G3/8"-19	28	35	19	22
1JG9-05-08 OG	U1/2"-20	G1/2"-14	31	44	22	27
1JG9-06-04 OG	U9/16"-18	G1/4"-19	27	32	14	19
1JG9-06-06 OG	U9/16"-18	G3/8"-19	29	35	19	22
1JG9-06-08 OG	U9/16"-18	G1/2"-14	32.5	44	22	27
1JG9-08-04 OG	U3/4"-16	G1/4"-19	33	35	19	19
1JG9-08-06 OG	U3/4"-16	G3/8"-19	32	36	19	22
1JG9-08-08 OG	U3/4"-16	G1/2"-14	35	44	22	27
1JG9-08-12 OG	U3/4"-16	G3/4"-14	39	50	27	32
1JG9-10-06 OG	U7/8"-14	G3/8"-19	37	37	22	22
1JG9-10-08 OG	U7/8"-14	G1/2"-14	37	44	22	27
1JG9-10-12 OG	U7/8"-14	G3/4"-14	41	50	27	32
1JG9-12-08 OG	U1.1/16"-12	G1/2"-14	44	50	27	27
1JG9-12-12 OG	U1.1/16"-12	G3/4"-14	44	50	27	32
1JG9-12-16 OG	U1.1/16"-12	G1"-11	48	55.5	33	33
1JG9-16-12 OG	U1.5/16"-12	G3/4"-14	48	53	33	32
1JG9-16-16 OG	U1.5/16"-12	G1"-11	48	55.5	33	41
1JG9-16-20 OG	U1.5/16"-12	G1.1/4"-11	54	57	41	50
1JG9-20-16 OG	U1.5/8"-12	G1"-11	55	59.5	41	41
1JG9-20-20 OG	U1.5/8"-12	G1.1/4"-11	55	57	41	50
1JG9-24-20 OG	U1.7/8"-12	G1.1/4"-11	59	60.5	48	50
1JG9-24-24 OG	U1.7/8"-12	G1.1/2"-11	59	63	48	55



JIC MALE 74° CONE/METRIC MALE



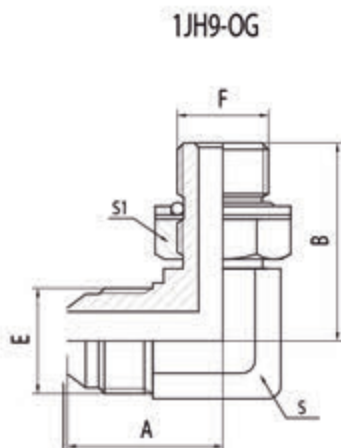
Part No.	Thread		Dimensions			
	E	F	A	B	L	S
1JH-04-10	U7/16"-20	M10X1	14	8	29	14
1JH-04-12	U7/16"-20	M12X1.5	14	12	33	17
1JH-04-14	U7/16"-20	M14X1.5	14	12	34	19
1JH-05-14	U1/2"-20	M14X1.5	14	12	34	19
1JH-06-16	U9/16"-18	M16X1.5	14.1	12	35	22
1JH-06-18	U9/16"-18	M18X1.5	14.1	12	35	24
1JH-08-16	U3/4"-16	M16X1.5	16.7	12	38	22
1JH-08-18	U3/4"-16	M18X1.5	16.7	12	38	24
1JH-08-22	U3/4"-16	M22X1.5	16.7	15	42.5	27
1JH-10-22	U7/8"-14	M22X1.5	19.3	15	45	27
1JH-12-22	U1.1/16"-12	M22X1.5	21.9	15	48	30
1JH-12-27	U1.1/16"-12	M27X2	21.9	16	50	32
1JH-16-27	U1.5/16"-12	M27X2	23.1	16	52.5	36
1JH-16-33	U1.5/16"-12	M33X2	23.1	18	55	41
1JH-20-42	U1.5/8"-12	M42X2	24.3	20	61.5	50
1JH-24-48	U1.7/8"-12	M48X2	27.5	22	69	55

45° JIC MALE 74° CONE/METRIC MALE ADJUSTABLE STUD



Part No.	Thread		Dimensions			
	E	F	A	B	S	S1
1JH4-04-10 OG	U7/16"-20	M10X1	20	23	11	14
1JH4-04-12 OG	U7/16"-20	M12X1.5	21	28	14	17
1JH4-05-14 OG	U1/2"-20	M14X1.5	21	29	14	19
1JH4-06-16 OG	U9/16"-18	M16X1.5	21	27	14	22
1JH4-08-18 OG	U3/4"-16	M18X1.5	27	32	19	24
1JH4-08-22 OG	U3/4"-16	M22X1.5	28	34	22	27
1JH4-10-22 OG	U7/8"-14	M22X1.5	30	34	22	27
1JH4-12-27 OG	U1.1/16"-12	M27X2	35	42	27	32
1JH4-16-33 OG	U1.5/16"-12	M33X2	38	42	33	41
1JH4-20-42 OG	U1.5/8"-12	M42X2	43	47	41	50
1JH4-24-48 OG	U1.7/8"-12	M48X2	47	52	48	55

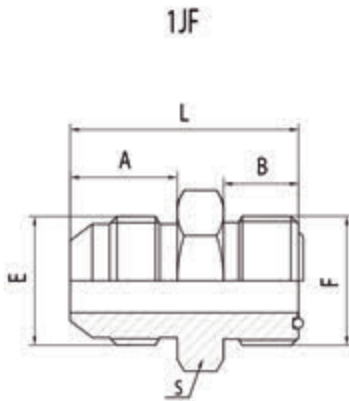
90° JIC MALE 74° CONE/METRIC MALE ADJUSTABLE STUD



Part No.	Thread		Dimensions			
	E	F	A	B	S	S1
1JH9-04-10 OG	U7/16"-20	M10X1	25	29	14	14
1JH9-04-12 OG	U7/16"-20	M12X1.5	25	32	14	17
1JH9-04-14 OG	U7/16"-20	M14X1.5	25	33	14	19
1JH9-05-14 OG	U1/2"-20	M14X1.5	25	33	14	19
1JH9-06-16 OG	U9/16"-18	M16X1.5	29	35	19	22
1JH9-08-22 OG	U3/4"-16	M22X1.5	35	42	22	27
1JH9-10-22 OG	U7/8"-14	M22X1.5	37	42	22	27
1JH9-12-27 OG	U1.1/16"-12	M27X2	43	50	27	32
1JH9-16-33 OG	U1.5/16"-12	M33X2	48	53	33	41
1JH9-20-42 OG	U1.5/8"-12	M42X2	55	57	41	50
1JH9-24-48 OG	U1.7/8"-12	M48X2	59	63	48	55

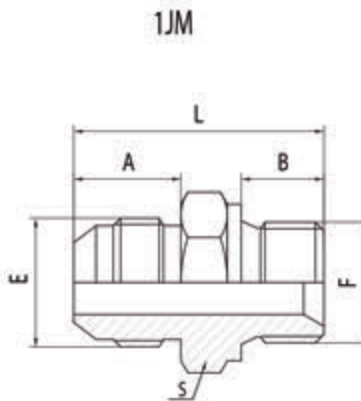
Please add "TO" after the part number if there is nowasher out of the O-ring on the product, for example "1JH9-06-14 OG/TO"

JIC MALE 74° CONE/ORFS MALE



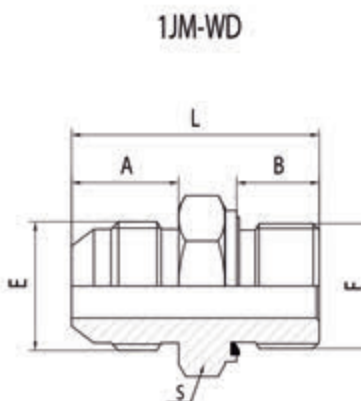
Part No.	Thread		Dimensions			
	E	F	A	B	L	S
1JF-04-04	U7/16"-20	U9/16"-18	14	14	34	17
1JF-05-04	U1/2"-20	U9/16"-18	14	14	34	17
1JF-05-06	U1/2"-20	U11/16"-16	14	14	34	19
1JF-06-04	U9/16"-18	U9/16"-18	14.1	14	34	17
1JF-06-06	U9/16"-18	U11/16"-16	14.1	14	34	19
1JF-08-06	U3/4"-16	U11/16"-16	16.7	14	39	22
1JF-08-08	U3/4"-16	U13/16"-16	16.7	15	40	22
1JF-10-08	U7/8"-14	U13/16"-16	19.3	15	42.5	24
1JF-10-10	U7/8"-14	U1"-14	19.3	16.5	45	27
1JF-12-10	U1.1/16"-12	U1"-14	21.9	16.5	47.5	30
1JF-12-12	U1.1/16"-12	U1.3/16"-12	21.9	17.5	49.5	32
1JF-16-12	U1.5/16"-12	U1.3/16"-12	23.1	17.5	51.5	36
1JF-16-16	U1.5/16"-12	U1.7/16"-12	23.1	18.5	53	41
1JF-20-20	U1.5/8"-12	U1.11/16"-12	24.3	19.5	56	46
1JF-24-24	U1.7/8"-12	U2"-12	27.5	19.5	62.5	55

JIC MALE 74° CONE/METRIC MALE 60° SEAT



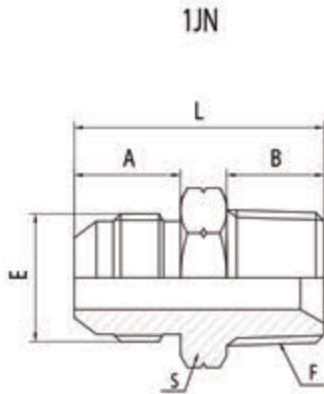
Part No.	Thread		Dimensions			
	E	F	A	B	L	S
1JM-04-12	U7/16"-20	M12X1.5	14	10	32	17
1JM-04-14	U7/16"-20	M14X1.5	14	11	33	19
1JM-05-14	U1/2"-20	M14X1.5	14	11	33	19
1JM-06-14	U9/16"-18	M14X1.5	14.1	11	33	19
1JM-06-16	U9/16"-18	M16X1.5	14.1	12	35	22
1JM-06-18	U9/16"-18	M18X1.5	14.1	12	35.5	24
1JM-08-20	U3/4"-16	M20X1.5	16.7	14	41	27
1JM-08-22	U3/4"-16	M22X1.5	16.7	14	41	27
1JM-10-22	U7/8"-14	M22X1.5	19.3	14	44	27
1JM-12-26	U1.1/16"-12	M26X1.5	21.9	14	48	32

JIC MALE 74° CONE/METRIC MALE CAPTIVE SEAL



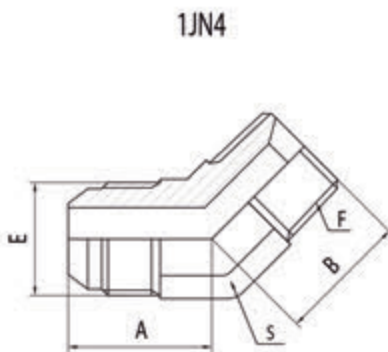
Part No.	Thread		Dimensions			
	E	F	A	B	L	S
1JM-04-12WD	U7/16"-20	M12X1.5	14	12	34	17
1JM-04-14WD	U7/16"-20	M14X1.5	14	12	34	19
1JM-05-14WD	U1/2"-20	M14X1.5	14	12	34	19
1JM-06-14WD	U9/16"-18	M14X1.5	14.1	12	33.5	19
1JM-06-16WD	U9/16"-18	M16X1.5	14.1	12	35.5	22
1JM-08-18WD	U3/4"-16	M18X1.5	16.7	12	38	24
1JM-08-20WD	U3/4"-16	M20X1.5	16.7	14	41	27
1JM-08-22WD	U3/4"-16	M22X1.5	16.7	14	40.5	27
1JM-10-20WD	U7/8"-14	M20X1.5	19.3	14	43	27
1JM-10-22WD	U7/8"-14	M22X1.5	19.3	14	43	27
1JM-12-26WD	U1.1/16"-12	M26X1.5	21.9	16	48.5	32
1JM-12-27WD	U1.1/16"-12	M27X2	21.9	16	48.5	32
1JM-16-33WD	U1.5/16"-12	M33X2	23.1	18	54	41
1JM-20-42WD	U1.5/8"-12	M42X2	24.3	20	61	50
1JM-24-48WD	U1.7/8"-12	M48X2	27.5	22	67.5	55

JIC MALE 74° CONE/NPT MALE



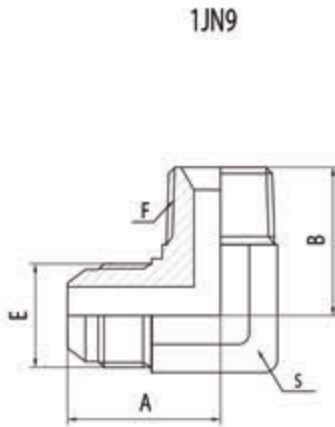
Part No.	Thread		Dimensions			
	E	F	A	B	L	S
1JN-04-02	U7/16"-20	Z1/8"-27	14	10	30	12
1JN-04-04	U7/16"-20	Z1/4"-18	14	14.5	34	14
1JN-04-06	U7/16"-20	Z3/8"-18	14	14.5	35	19
1JN-05-04	U1/2"-20	Z1/4"-18	14	14.5	34.5	14
1JN-05-06	U1/2"-20	Z3/8"-18	14	14.5	34	19
1JN-06-04	U9/16"-18	Z1/4"-18	14.1	14.5	34	17
1JN-06-06	U9/16"-18	Z3/8"-18	14.1	14.5	35	19
1JN-06-08	U9/16"-18	Z1/2"-14	14.1	19.5	41.5	22
1JN-08-06	U3/4"-16	Z3/8"-18	16.7	14.5	39.5	22
1JN-08-08	U3/4"-16	Z1/2"-14	16.7	19.5	44	22
1JN-08-12	U3/4"-16	Z3/4"-14	16.7	19.5	45	30
1JN-10-08	U7/8"-14	Z1/2"-14	19.3	19.5	47	24
1JN-10-12	U7/8"-14	Z3/4"-14	19.3	19.5	47.5	30
1JN-12-08	U1.1/16"-12	Z1/2"-14	21.9	19.5	50	30
1JN-12-12	U1.1/16"-12	Z3/4"-14	21.9	19.5	50	30
1JN-12-16	U1.1/16"-12	Z1"-11.5	21.9	24.5	57.5	36
1JN-16-12	U1.5/16"-12	Z3/4"-14	23.1	19.5	53.5	36
1JN-16-16	U1.5/16"-12	Z1"-11.5	23.1	24.5	58.5	36
1JN-16-20	U1.5/16"-12	Z1.1/4"-11.5	23.1	25	62	46
1JN-20-16	U1.5/8"-12	Z1"-11.5	24.3	24.5	62.5	46
1JN-20-20	U1.5/8"-12	Z1.1/4"-11.5	24.3	25	63	46
1JN-20-24	U1.5/8"-12	Z1.1/2"-11.5	24.3	25	65.5	50
1JN-24-20	U1.7/8"-12	Z1.1/4"-11.5	27.5	25	67.5	50
1JN-24-24	U1.7/8"-12	Z1.1/2"-11.5	27.5	25	69	50
1JN-24-32	U1.7/8"-12	Z2"-11.5	27.5	29	73.5	70
1JN-32-24	U2.1/2"-12	Z1.1/2"-11.5	33.9	25	76	70
1JN-32-32	U2.1/2"-12	Z2"-11.5	33.9	29	80	70

45° JIC MALE 74° CONE/NPT MALE



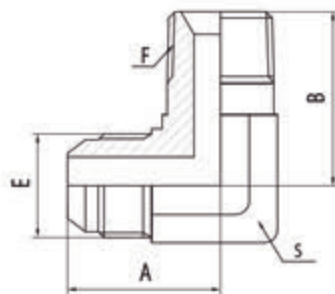
Part No.	Thread		Dimensions		
	E	F	A	B	S
1JN4-04-02	U7/16"-20	Z1/8"-27	20.5	17.5	11
1JN4-04-04	U7/16"-20	Z1/4"-18	21	21	14
1JN4-04-06	U7/16"-20	Z3/8"-18	21	21	17
1JN4-05-04	U1/2"-20	Z1/4"-18	21	21	14
1JN4-05-06	U1/2"-20	Z3/8"-18	21	21	17
1JN4-06-04	U9/16"-18	Z1/4"-18	21	21	14
1JN4-06-06	U9/16"-18	Z3/8"-18	22	22	17
1JN4-06-08	U9/16"-18	Z1/2"-14	23.5	28	22
1JN4-08-06	U3/4"-16	Z3/8"-18	25	22	19
1JN4-08-08	U3/4"-16	Z1/2"-14	27	28	22
1JN4-08-12	U3/4"-16	Z3/4"-14	30	31	27
1JN4-10-08	U7/8"-14	Z1/2"-14	28	28	22
1JN4-10-12	U7/8"-14	Z3/4"-14	32	32	27
1JN4-12-12	U1.1/16"-12	Z3/4"-14	35	32	27
1JN4-16-16	U1.5/16"-12	Z1"-11.5	37	37	33
1JN4-20-20	U1.5/8"-12	Z1.1/4"-11.5	42	42	44
1JN4-24-24	U1.7/8"-12	Z1.1/2"-11.5	47	47	48

90°JIC MALE 74°CONE/NPT MALE



Part No.	Thread		Dimensions		
	E	F	A	B	S
1JN9-04-02	U7/16"-20	Z1/8"-27	23	21	11
1JN9-04-04	U7/16"-20	Z1/4"-18	25	25	14
1JN9-04-06	U7/16"-20	Z3/8"-18	29	30	17
1JN9-05-04	U1/2"-20	Z1/4"-18	25	25	14
1JN9-05-06	U1/2"-20	Z3/8"-18	29	29	17
1JN9-06-04	U9/16"-18	Z1/4"-18	25	25	14
1JN9-06-06	U9/16"-18	Z3/8"-18	29	29	17
1JN9-06-08	U9/16"-18	Z1/2"-14	30	35	22
1JN9-08-06	U3/4"-16	Z3/8"-18	32	28	19
1JN9-08-08	U3/4"-16	Z1/2"-14	34.5	35	22
1JN9-10-08	U7/8"-14	Z1/2"-14	37	37	22
1JN9-10-12	U7/8"-14	Z3/4"-14	40	40	27
1JN9-12-08	U1.1/16"-12	Z1/2"-14	44	40	27
1JN9-12-12	U1.1/16"-12	Z3/4"-14	44	40	27
1JN9-12-16	U1.1/16"-12	Z1"-11.5	48	48	33
1JN9-16-12	U1.5/16"-12	Z3/4"-14	48	42	33
1JN9-16-16	U1.5/16"-12	Z1"-11.5	47	47	33
1JN9-20-16	U1.5/8"-12	Z1"-11.5	57	55	44
1JN9-20-20	U1.5/8"-12	Z1.1/4"-11.5	57	55.5	44
1JN9-24-20	U1.7/8"-12	Z1.1/4"-11.5	59	56	48
1JN9-24-24	U1.7/8"-12	Z1.1/2"-11.5	59	59	48
1JN9-32-32	U2.1/2"-12	Z2"-11.5	67	64	65

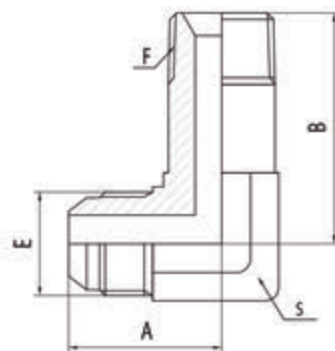
1JN9-L



90°JIC MALE 74°CONE/LONG NPT MALE

Part No.	Thread		Dimensions		
	E	F	A	B	S
1JN9-04-02L	U7/16"-20	Z1/8"-27	23	30	11
1JN9-04-04L	U7/16"-20	Z1/4"-18	25	40.1	14
1JN9-05-04L	U1/2"-20	Z1/4"-18	25	40.1	14
1JN9-06-04L	U9/16"-18	Z1/4"-18	25	40.1	14
1JN9-08-08L	U3/4"-16	Z1/2"-14	34.5	55.1	22
1JN9-10-08L	U7/8"-14	Z1/2"-14	37	55.1	22
1JN9-12-12L	U1.1/16"-12	Z3/4"-14	44	62	27
1JN9-16-16L	U1.5/16"-12	Z1"-11.5	47	76.5	33

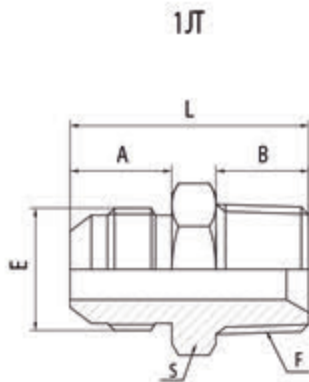
1JN9-LL



90°JIC MALE 74°CONE/LONGER NPT MALE

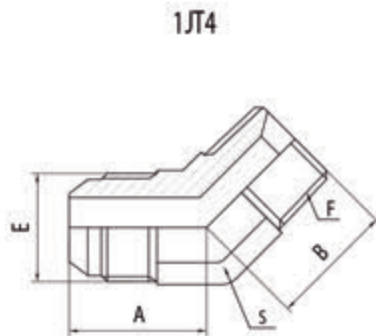
Part No.	Thread		Dimensions		
	E	F	A	B	S
1JN9-04-02LL	U7/16"-20	Z1/8"-27	23	39.6	11
1JN9-04-04LL	U7/16"-20	Z1/4"-18	25	52.6	14
1JN9-05-04LL	U1/2"-20	Z1/4"-18	25	52.6	14
1JN9-06-04LL	U9/16"-18	Z1/4"-18	25	52.6	14
1JN9-06-06LL	U9/16"-18	Z3/8"-18	30	61.5	19
1JN9-08-06LL	U3/4"-16	Z3/8"-18	32	61.5	19

JIC MALE 74° CONE/BSPT MALE



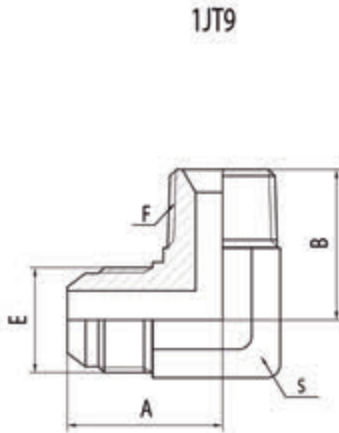
Part No.	Thread		Dimensions			
	E	F	A	B	L	S
1JT-04-02	U7/16"-20	ZG1/8"-28	14	10	30	12
1JT-04-04	U7/16"-20	ZG1/4"-19	14	14.5	34	14
1JT-04-06	U7/16"-20	ZG3/8"-19	14	14.5	35	19
1JT-05-04	U1/2"-20	ZG1/4"-19	14	14.5	34.5	14
1JT-05-06	U1/2"-20	ZG3/8"-19	14	14.5	34	19
1JT-06-04	U9/16"-18	ZG1/4"-19	14.1	14.5	34	17
1JT-06-06	U9/16"-18	ZG3/8"-19	14.1	14.5	35	19
1JT-06-08	U9/16"-18	ZG1/2"-14	14.1	19.5	41.5	22
1JT-08-06	U3/4"-16	ZG3/8"-19	16.7	14.5	39.5	22
1JT-08-08	U3/4"-16	ZG1/2"-14	16.7	19.5	44	22
1JT-08-12	U3/4"-16	ZG3/4"-14	16.7	19.5	45	30
1JT-10-06	U7/8"-14	ZG3/8"-19	19.3	14.5	42.5	24
1JT-10-08	U7/8"-14	ZG1/2"-14	19.3	19.5	47	24
1JT-10-12	U7/8"-14	ZG3/4"-14	19.3	19.5	47.5	30
1JT-12-08	U1.1/16"-12	ZG1/2"-14	21.9	19.5	50	30
1JT-12-12	U1.1/16"-12	ZG3/4"-14	21.9	19.5	50	30
1JT-12-16	U1.1/16"-12	ZG1"-11	21.9	24.5	57.5	36
1JT-16-12	U1.5/16"-12	ZG3/4"-14	23.1	19.5	53.5	36
1JT-16-16	U1.5/16"-12	ZG1"-11	23.1	24.5	58.5	36
1JT-20-16	U1.5/8"-12	ZG1"-11	24.3	24.5	62.5	46
1JT-20-20	U1.5/8"-12	ZG1.1/4"-11	24.3	25	63	46
1JT-20-24	U1.5/8"-12	ZG1.1/2"-11	24.3	25	65.5	50
1JT-24-20	U1.7/8"-12	ZG1.1/4"-11	27.5	25	67.5	50
1JT-24-24	U1.7/8"-12	ZG1.1/2"-11	27.5	25	69	50
1JT-32-32	U2.1/2"-12	ZG2"-11	33.9	29	80	70

45° JIC MALE 74° CONE/BSPT MALE



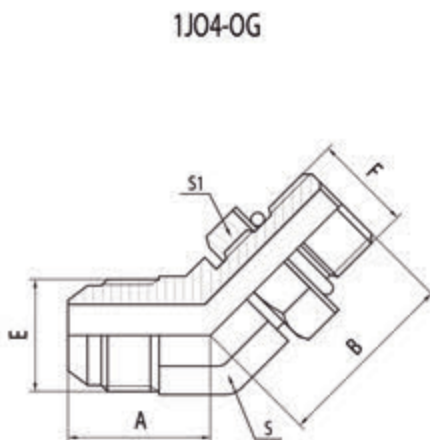
Part No.	Thread		Dimensions		
	E	F	A	B	S
1JT4-04-02	U7/16"-20	ZG1/8"-28	20.5	17.5	11
1JT4-04-04	U7/16"-20	ZG1/4"-19	21	21	14
1JT4-04-06	U7/16"-20	ZG3/8"-19	21	21	17
1JT4-05-04	U1/2"-20	ZG1/4"-19	21	21	14
1JT4-05-06	U1/2"-20	ZG3/8"-19	21	21	17
1JT4-06-04	U9/16"-18	ZG1/4"-19	21	21	14
1JT4-06-06	U9/16"-18	ZG3/8"-19	22	22	17
1JT4-06-08	U9/16"-18	ZG1/2"-14	23.5	28	22
1JT4-08-06	U3/4"-16	ZG3/8"-19	25	22	19
1JT4-08-08	U3/4"-16	ZG1/2"-14	27	28	22
1JT4-10-08	U7/8"-14	ZG1/2"-14	28	28	22
1JT4-10-12	U7/8"-14	ZG3/4"-14	32	32	27
1JT4-12-08	U1.1/16"-12	ZG1/2"-14	35	31	27
1JT4-12-12	U1.1/16"-12	ZG3/4"-14	35	32	27
1JT4-12-16	U1.1/16"-12	ZG1"-11	35	37	33
1JT4-16-12	U1.5/16"-12	ZG3/4"-14	37	32	33
1JT4-16-16	U1.5/16"-12	ZG1"-11	37	37	33
1JT4-16-20	U1.5/16"-12	ZG1.1/4"-11	41	42	44
1JT4-20-16	U1.5/8"-12	ZG1"-11	42	42	44
1JT4-20-20	U1.5/8"-12	ZG1.1/4"-11	42	42	44
1JT4-24-24	U1.7/8"-12	ZG1.1/2"-11	47	47	48

90° JIC MALE 74° CONE/BSPT MALE



Part No.	Thread		Dimensions			
	E	F	A	B	S	
1JT9-04-02	U7/16"-20	ZG1/8"-28	23	21	11	
1JT9-04-04	U7/16"-20	ZG1/4"-19	25	25	14	
1JT9-04-06	U7/16"-20	ZG3/8"-19	29	30	17	
1JT9-05-02	U1/2"-20	ZG1/8"-28	27	24	14	
1JT9-05-04	U1/2"-20	ZG1/4"-19	25	25	14	
1JT9-05-06	U1/2"-20	ZG3/8"-19	29	29	17	
1JT9-06-02	U9/16"-18	ZG1/8"-28	25	23	14	
1JT9-06-04	U9/16"-18	ZG1/4"-19	25	25	14	
1JT9-06-06	U9/16"-18	ZG3/8"-19	29	29	17	
1JT9-06-08	U9/16"-18	ZG1/2"-14	30	35	22	
1JT9-08-04	U3/4"-16	ZG1/4"-19	33	29	19	
1JT9-08-06	U3/4"-16	ZG3/8"-19	32	28	19	
1JT9-08-08	U3/4"-16	ZG1/2"-14	34.5	35	22	
1JT9-08-12	U3/4"-16	ZG3/4"-14	40	40	27	
1JT9-10-06	U7/8"-14	ZG3/8"-19	37	32	22	
1JT9-10-08	U7/8"-14	ZG1/2"-14	37	37	22	
1JT9-10-12	U7/8"-14	ZG3/4"-14	40	40	27	
1JT9-12-08	U1.1/16"-12	ZG1/2"-14	44	40	27	
1JT9-12-12	U1.1/16"-12	ZG3/4"-14	44	40	27	
1JT9-12-16	U1.1/16"-12	ZG1"-11	48	48	33	
1JT9-16-12	U1.5/16"-12	ZG3/4"-14	48	42	33	
1JT9-16-16	U1.5/16"-12	ZG1"-11	47	47	33	
1JT9-16-20	U1.5/16"-12	ZG1.1/4"-11	56	55.5	44	
1JT9-20-16	U1.5/8"-12	ZG1"-11	57	55	44	
1JT9-20-20	U1.5/8"-12	ZG1.1/4"-11	57	55.5	44	
1JT9-24-20	U1.7/8"-12	ZG1.1/4"-11	59	56	48	
1JT9-24-24	U1.7/8"-12	ZG1.1/2"-11	59	59	48	
1JT9-32-32	U2.1/2"-12	ZG2"-11	67	64	65	

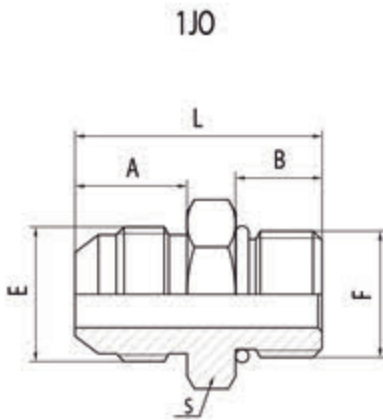
45° JIC MALE 74° CONE/SAE MALE O-RING



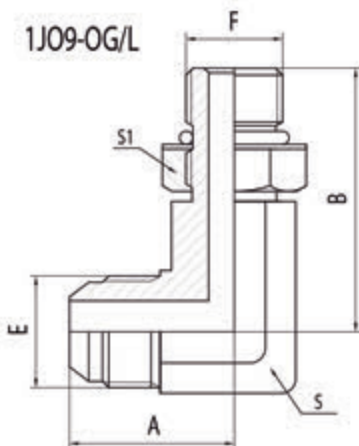
Part No.	Thread		Dimensions			
	E	F	A	B	S	S1
1J04-04-04 OG	U7/16"-20	U7/16"-20	20	23	11	17
1J04-04-06 OG	U7/16"-20	U9/16"-18	22	25	14	19
1J04-05-04 OG	U1/2"-20	U7/16"-20	22	26	14	17
1J04-05-05 OG	U1/2"-20	U1/2"-20	22	26	14	17
1J04-06-04 OG	U9/16"-18	U7/16"-20	22	25	14	17
1J04-06-05 OG	U9/16"-18	U1/2"-20	22	26	14	17
1J04-06-06 OG	U9/16"-18	U9/16"-18	22	26	14	19
1J04-08-06 OG	U3/4"-16	U9/16"-18	26.5	27	19	19
1J04-08-08 OG	U3/4"-16	U3/4"-16	26.5	30	19	24
1J04-10-08 OG	U7/8"-14	U3/4"-16	30	30.5	22	24
1J04-10-10 OG	U7/8"-14	U7/8"-14	30	34	22	27
1J04-10-12 OG	U7/8"-14	U1.1/16"-12	32	39.5	27	32
1J04-12-12 OG	U1.1/16"-12	U1.1/16"-12	35	39.5	27	32
1J04-16-16 OG	U1.5/16"-12	U1.5/16"-12	38	42	33	41
1J04-20-20 OG	U1.5/8"-12	U1.5/8"-12	43.5	49	41	50
1J04-24-24 OG	U1.7/8"-12	U1.7/8"-12	47	52	48	55



JIC MALE 74° CONE/SAE MALE O-RING



Part No.	Thread		Dimensions			
	E	F	A	B	L	S
1JO-04-04	U7/16"-20	U7/16"-20	14	9.14	30.5	14
1JO-04-05	U7/16"-20	U1/2"-20	14	9.14	30	17
1JO-04-06	U7/16"-20	U9/16"-18	14	9.93	30	17
1JO-05-04	U1/2"-20	U7/16"-20	14	9.14	29	14
1JO-05-05	U1/2"-20	U1/2"-20	14	9.14	30.5	17
1JO-05-06	U1/2"-20	U9/16"-18	14	9.93	30	17
1JO-06-04	U9/16"-18	U7/16"-20	14.1	9.14	29	17
1JO-06-05	U9/16"-18	U1/2"-20	14.1	9.14	29	17
1JO-06-06	U9/16"-18	U9/16"-18	14.1	9.93	32	17
1JO-06-08	U9/16"-18	U3/4"-16	14.1	11.13	33	24
1JO-08-04	U3/4"-16	U7/16"-20	16.7	9.14	34.5	22
1JO-08-06	U3/4"-16	U9/16"-18	16.7	9.93	35	22
1JO-08-08	U3/4"-16	U3/4"-16	16.7	11.13	36	24
1JO-08-10	U3/4"-16	U7/8"-14	16.7	12.7	38.5	27
1JO-10-08	U7/8"-14	U3/4"-16	19.3	11.13	39	24
1JO-10-10	U7/8"-14	U7/8"-14	19.3	12.7	41	27
1JO-10-12	U7/8"-14	U1.1/16"-12	19.3	15.09	45	32
1JO-12-08	U1.1/16"-12	U3/4"-16	21.9	11.13	42.5	30
1JO-12-10	U1.1/16"-12	U7/8"-14	21.9	12.7	45	30
1JO-12-12	U1.1/16"-12	U1.1/16"-12	21.9	15.09	47	32
1JO-12-16	U1.1/16"-12	U1.5/16"-12	21.9	15.1	48.5	41
1JO-14-12	U1.3/16"-12	U1.1/16"-12	22.6	15.09	47.5	32
1JO-16-12	U1.5/16"-12	U1.1/16"-12	23.1	15.09	49.5	36
1JO-16-16	U1.5/16"-12	U1.5/16"-12	23.1	15.1	49.5	41
1JO-16-20	U1.5/16"-12	U1.5/8"-12	23.1	15.1	51.5	50
1JO-20-16	U1.5/8"-12	U1.5/16"-12	24.3	15.1	53	46
1JO-20-20	U1.5/8"-12	U1.5/8"-12	24.3	15.1	53	50
1JO-20-24	U1.5/8"-12	U1.7/8"-12	24.3	15.1	54.5	55
1JO-24-20	U1.7/8"-12	U1.5/8"-12	27.5	15.1	56.5	50
1JO-24-24	U1.7/8"-12	U1.7/8"-12	27.5	15.1	58	55
1JO-24-32	U1.7/8"-12	U2.1/2"-12	27.5	15.1	59.5	70
1JO-32-32	U2.1/2"-12	U2.1/2"-12	33.9	15.1	66	70



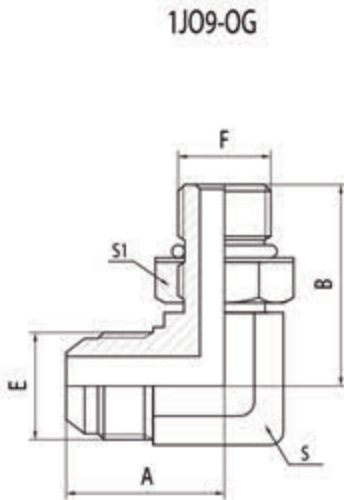
90° JIC MALE 74° CONE/LONG SAE MALE O-RING

Part No.	Thread		Dimensions			
	E	F	A	B	S	S
1JO9-04-04L OG	U7/16"-20	U7/16"-20	24	44	11	17
1JO9-06-06L OG	U9/16"-18	U9/16"-18	27	52.8	14	17
1JO9-08-08L OG	U3/4"-16	U3/4"-16	32	63.5	19	22
1JO9-10-10L OG	U7/8"-14	U7/8"-14	37	73.4	22	27
1JO9-12-12L OG	U1.1/16"-12	U1.1/16"-12	44	84.8	27	32
1JO9-16-16L OG	U1.5/16"-12	U1.5/16"-12	49	94.5	33	41

F. SAE ADAPTERS

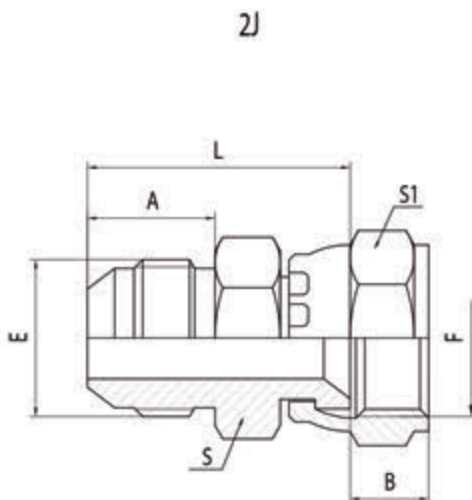


90°JIC MALE 74°CONE/SAE MALE O-RING



Part No.	Thread		Dimensions			
	E	F	A	B	S	S1
1J09-04-040G	U7/16"-20	U7/16"-20	24	26	11	17
1J09-04-050G	U7/16"-20	U1/2"-20	25	32	14	17
1J09-04-060G	U7/16"-20	U9/16"-18	26	32	14	19
1J09-05-040G	U1/2"-20	U7/16"-20	25	32	14	17
1J09-05-050G	U1/2"-20	U1/2"-20	25	32	14	17
1J09-05-060G	U1/2"-20	U9/16"-18	26	32	14	19
1J09-06-040G	U9/16"-18	U7/16"-20	27	32	14	17
1J09-06-050G	U9/16"-18	U1/2"-20	27	32	14	17
1J09-06-060G	U9/16"-18	U9/16"-18	27	32	14	19
1J09-08-060G	U3/4"-16	U9/16"-18	32	34	19	19
1J09-08-080G	U3/4"-16	U3/4"-16	32	37	19	24
1J09-08-100G	U3/4"-16	U7/8"-14	35	43	22	27
1J09-10-080G	U7/8"-14	U3/4"-16	37	40	22	24
1J09-10-100G	U7/8"-14	U7/8"-14	37	43	22	27
1J09-10-120G	U7/8"-14	U1.1/16"-12	41	50	27	32
1J09-12-080G	U1.1/16"-12	U3/4"-16	43	43	27	24
1J09-12-100G	U1.1/16"-12	U7/8"-14	44	47	27	27
1J09-12-120G	U1.1/16"-12	U1.1/16"-12	44	50	27	32
1J09-16-120G	U1.5/16"-12	U1.1/16"-12	48	53	33	32
1J09-16-160G	U1.5/16"-12	U1.5/16"-12	49	53	33	41
1J09-20-160G	U1.5/8"-12	U1.5/16"-12	55	58	41	41
1J09-20-200G	U1.5/8"-12	U1.5/8"-12	55	62	41	50
1J09-20-240G	U1.5/8"-12	U1.7/8"-12	58	63	48	55
1J09-24-240G	U1.7/8"-12	U1.7/8"-12	59	63	48	55

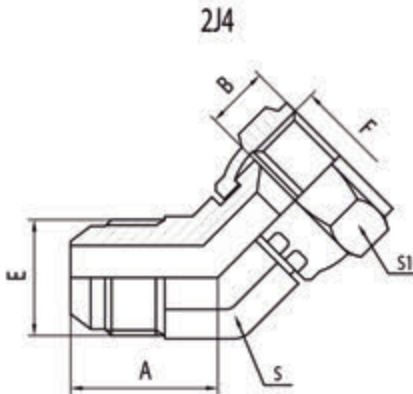
JIC MALE 74° CONE/JIC FEMALE 74° SEAT



Part No.	Thread		Dimensions				
	E	F	A	B	L	S	S1
2J-04-04	U7/16"-20	U7/16"-20	14	8.5	28	14	17
2J-04-05	U7/16"-20	U1/2"-20	14	9.5	28.5	14	19
2J-04-06	U7/16"-20	U9/16"-18	14	10	29	14	19
2J-05-05	U1/2"-20	U1/2"-20	14	9.5	29	14	19
2J-05-06	U1/2"-20	U9/16"-18	14	10	29	14	19
2J-06-06	U9/16"-18	U9/16"-18	14.1	10	29	17	19
2J-08-06	U3/4"-16	U9/16"-18	16.7	10	34	22	19
2J-08-08	U3/4"-16	U3/4"-16	16.7	11	35	22	24
2J-08-10	U3/4"-16	U7/8"-14	16.7	11	36	22	27
2J-08-12	U3/4"-16	U1.1/16"-12	16.7	13.5	38	27	32
2J-10-08	U7/8"-14	U3/4"-16	19.3	11	38	24	24
2J-10-10	U7/8"-14	U7/8"-14	19.3	11	39	24	27
2J-10-12	U7/8"-14	U1.1/16"-12	19.3	13.5	40.5	27	32
2J-12-10	U1.1/16"-12	U7/8"-14	21.9	11	43	30	27
2J-12-12	U1.1/16"-12	U1.1/16"-12	21.9	13.5	44	30	32
2J-16-16	U1.5/16"-12	U1.5/16"-12	23.1	14.5	47	36	41
2J-20-20	U1.5/8"-12	U1.5/8"-12	24.3	15.5	52	46	50
2J-24-24	U1.7/8"-12	U1.7/8"-12	27.5	18.5	56	50	55
2J-32-32	U2.1/2"-12	U2.1/2"-12	33.9	24.5	66.5	70	75

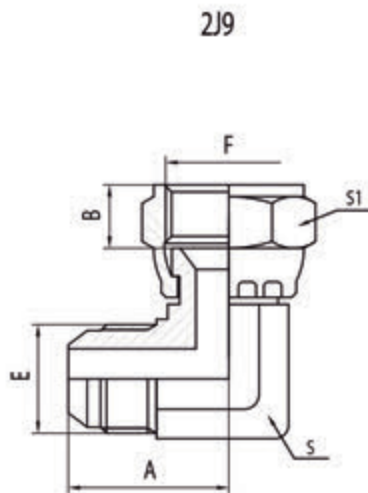


45°JIC MALE 74° CONE/JIC



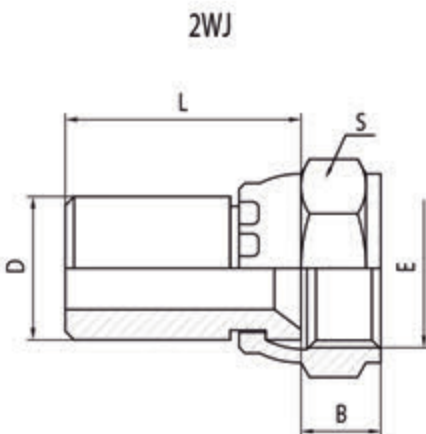
Part No.	Thread		Dimensions			
	E	F	A	B	S	S1
2J4-04-04	U7/16"-20	U7/16"-20	20	8.5	11	17
2J4-05-05	U1/2"-20	U1/2"-20	22	9.5	14	19
2J4-06-06	U9/16"-18	U9/16"-18	22	10	14	19
2J4-08-08	U3/4"-16	U3/4"-16	25	11	19	24
2J4-10-10	U7/8"-14	U7/8"-14	28	11	22	27
2J4-12-12	U1.1/16"-12	U1.1/16"-12	35	13.5	27	32
2J4-16-16	U1.5/16"-12	U1.5/16"-12	37	14.5	33	41
2J4-20-20	U1.5/8"-12	U1.5/8"-12	42	15.5	44	50
2J4-24-24	U1.7/8"-12	U1.7/8"-12	47	18.5	48	55
2J4-32-32	U2.1/2"-12	U2.1/2"-12	55	24.5	65	75

90°JIC MALE 74° CONE



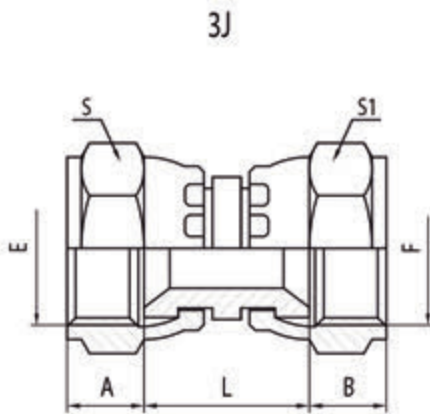
Part No.	Thread		Dimensions			
	E	F	A	B	S	S1
2J9-04-04	U7/16"-20	U7/16"-20	24	8.5	11	17
2J9-05-05	U1/2"-20	U1/2"-20	27	9.5	14	19
2J9-06-06	U9/16"-18	U9/16"-18	27	10	14	19
2J9-06-08	U9/16"-18	U3/4"-16	27	11	17	24
2J9-08-06	U3/4"-16	U9/16"-18	32	10	19	19
2J9-08-08	U3/4"-16	U3/4"-16	32	11	19	24
2J9-08-10	U3/4"-16	U7/8"-14	32	11	19	27
2J9-10-08	U7/8"-14	U3/4"-16	37	11	22	24
2J9-10-10	U7/8"-14	U7/8"-14	37	11	22	27
2J9-10-12	U7/8"-14	U1.1/16"-12	37	13.5	24	32
2J9-12-10	U1.1/16"-12	U7/8"-14	43	11	27	27
2J9-12-12	U1.1/16"-12	U1.1/16"-12	43	13.5	27	32
2J9-16-16	U1.5/16"-12	U1.5/16"-12	48	14.5	33	41
2J9-20-20	U1.5/8"-12	U1.5/8"-12	57	15.5	44	50
2J9-24-24	U1.7/8"-12	U1.7/8"-12	59	18.5	48	55
2J9-32-32	U2.1/2"-12	U2.1/2"-12	65	24.5	65	75

BUTT-WELD TUBE/JIC FEMALE 74° SEAT



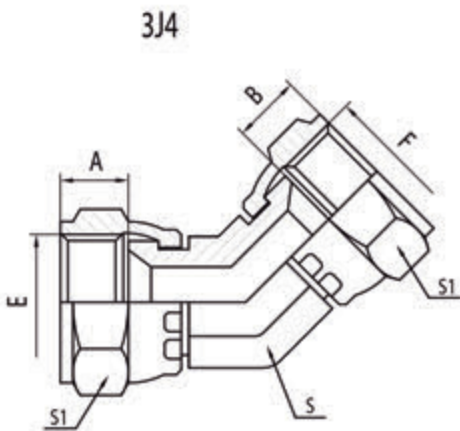
Part No.	Thread		TUBE O.D.		Dimensions		
	E				B	L	S
2WJ-10-04	U7/16"-20		10		8.5	25.5	17
2WJ-12-05	U1/2"-20		12		9.5	27	19
2WJ-14-04	U7/16"-20		14		8.5	27	19
2WJ-14-06	U9/16"-18		14		10	55	19
2WJ-18-08	U3/4"-16		18		11	60	24
2WJ-20-10	U7/8"-14		20		11	33	27
2WJ-22-12	U1.1/16"-12		22		13.5	68	32
2WJ-28-16	U1.5/16"-12		28		14.5	68	41
2WJ-34-20	U1.5/8"-12		34		15.5	75	50

JIC FEMALE 74°SEAT



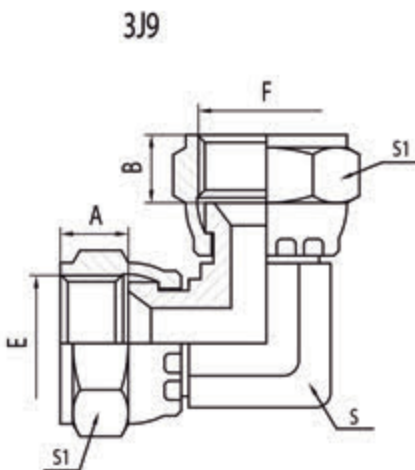
Part No.	Thread		Dimensions				
	E	F	A	B	L	S	S1
3J-04-04	U7/16"-20	U7/16"-20	8.5	8.5	20	17	17
3J-05-05	U1/2"-20	U1/2"-20	9.5	9.5	21	19	19
3J-06-06	U9/16"-18	U9/16"-18	10	10	23	19	19
3J-08-06	U3/4"-16	U9/16"-18	11	10	23	24	19
3J-08-08	U3/4"-16	U3/4"-16	11	11	25	24	24
3J-10-10	U7/8"-14	U7/8"-14	11	11	27	27	27
3J-12-12	U1.1/16"-12	U1.1/16"-12	13.5	13.5	28	32	32
3J-16-16	U1.5/16"-12	U1.5/16"-12	14.5	14.5	32	41	41
3J-20-20	U1.5/8"-12	U1.5/8"-12	15.5	15.5	34	50	50
3J-24-24	U1.7/8"-12	U1.7/8"-12	18.5	18.5	35	55	55

45°JIC FEMALE 74°SEAT



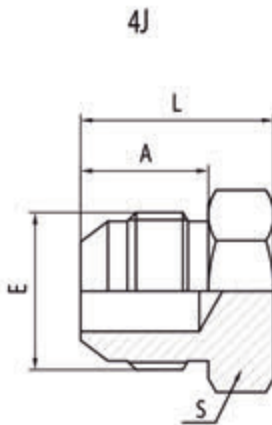
Part No.	Thread		Dimensions			
	E	F	A	B	S	S1
3J4-04-04	U7/16"-20	U7/16"-20	8.5	8.5	11	17
3J4-05-05	U1/2"-20	U1/2"-20	9.5	9.5	11	19
3J4-06-06	U9/16"-18	U9/16"-18	10	10	14	19
3J4-08-08	U3/4"-16	U3/4"-16	11	11	19	24
3J4-10-10	U7/8"-14	U7/8"-14	11	11	22	27
3J4-12-12	U1.1/16"-12	U1.1/16"-12	13.5	13.5	24	32
3J4-16-16	U1.5/16"-12	U1.5/16"-12	14.5	14.5	33	41
3J4-20-20	U1.5/8"-12	U1.5/8"-12	15.5	15.5	44	50
3J4-24-24	U1.7/8"-12	U1.7/8"-12	18.5	18.5	48	55
3J4-32-32	U2.1/2"-12	U2.1/2"-12	24.5	24.5	65	75

90°JIC FEMALE 74°SEAT



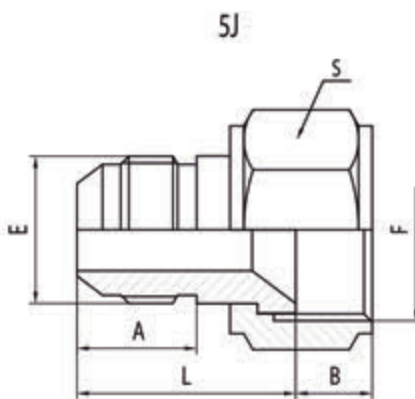
Part No.	Thread		Dimensions			
	E	F	A	B	S	S1
3J9-04-04	U7/16"-20	U7/16"-20	8.5	8.5	11	17
3J9-05-05	U1/2"-20	U1/2"-20	9.5	9.5	11	19
3J9-06-06	U9/16"-18	U9/16"-18	10	10	14	19
3J9-08-08	U3/4"-16	U3/4"-16	11	11	19	24
3J9-10-10	U7/8"-14	U7/8"-14	11	11	22	27
3J9-12-12	U1.1/16"-12	U1.1/16"-12	13.5	13.5	24	32
3J9-16-16	U1.5/16"-12	U1.5/16"-12	14.5	14.5	33	41
3J9-20-20	U1.5/8"-12	U1.5/8"-12	15.5	15.5	44	50
3J9-24-24	U1.7/8"-12	U1.7/8"-12	18.5	18.5	48	55
3J9-32-32	U2.1/2"-12	U2.1/2"-12	24.5	24.5	65	75

JIC MALE 74° CONE PLUG



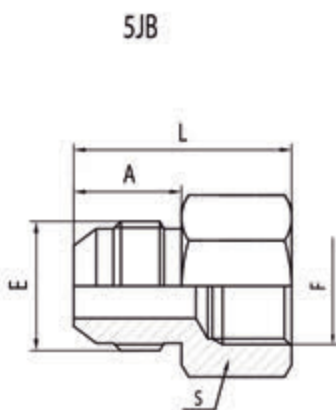
Part No.	Thread		Dimensions			
	E		A	L	S	
4J-04	U7/16"-20		14	20	14	
4J-05	U1/2"-20		14	20	14	
4J-06	U9/16"-18		14.1	20	17	
4J-08	U3/4"-16		16.7	25	22	
4J-10	U7/8"-14		19.3	28	24	
4J-12	U1.1/16"-12		21.9	31	30	
4J-14	U1.3/16"-12		22.6	33	32	
4J-16	U1.5/16"-12		23.1	34	36	
4J-20	U1.5/8"-12		24.3	37	46	
4J-24	U1.7/8"-12		27.5	42	50	
4J-32	U2.1/2"-12		33.9	50	65	

JIC MALE 74° CONE/FEMALE 74° SEAT



Part No.	Thread		Dimensions			
	E	F	A	B	L	S
5J-04-06	U7/16"-20	U9/16"-18	14	8	26	19
5J-04-08	U7/16"-20	U3/4"-16	14	11	26	24
5J-05-08	U1/2"-20	U3/4"-16	14	11	26	24
5J-05-10	U1/2"-20	U7/8"-14	14	11	28.5	27
5J-06-08	U9/16"-18	U3/4"-16	14.1	11	26	24
5J-06-10	U9/16"-18	U7/8"-14	14.1	11	28.5	27
5J-06-12	U9/16"-18	U1.1/16"-12	14.1	13	30	32
5J-08-12	U3/4"-16	U1.1/16"-12	16.7	13	33	32
5J-08-16	U3/4"-16	U1.5/16"-12	16.7	14	35.5	38
5J-08-20	U3/4"-16	U1.5/8"-12	16.7	15	35.5	50
5J-10-16	U7/8"-14	U1.5/16"-12	19.3	14	38	38
5J-16-20	U1.5/16"-12	U1.5/8"-12	23.1	15	42	50
5J-20-24	U1.5/8"-12	U1.7/8"-12	24.3	19	43.5	55

JIC MALE 74° CONE/BSP FEMALE

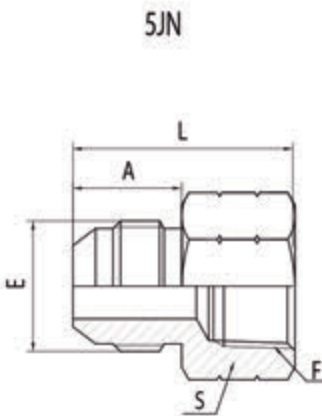


Part No.	Thread		Dimensions			
	E	F		B	L	S
5JB-04-02	U7/16"-20	G1/8"-28		14	30	14
5JB-04-04	U7/16"-20	G1/4"-19		14	32	19
5JB-04-06	U7/16"-20	G3/8"-19		14	36	22
5JB-06-06	U9/16"-18	G3/8"-19		14.1	34	22
5JB-06-08	U9/16"-18	G1/2"-14		14.1	38	27
5JB-08-08	U3/4"-16	G1/2"-14		16.7	40.5	27
5JB-08-10	U3/4"-16	G5/8"-14		16.7	46	30
5JB-10-12	U7/8"-14	G3/4"-14		19.3	49	36
5JB-12-12	U1.1/16"-12	G3/4"-14		21.9	51.5	36
5JB-12-16	U1.1/16"-12	G1"-11		21.9	53	41
5JB-16-16	U1.5/16"-12	G1"-11		23.1	55	41
5JB-16-20	U1.5/16"-12	G1.1/4"-11		23.1	57	50
5JB-20-20	U1.5/8"-12	G1.1/4"-11		24.3	58.5	50
5JB-24-24	U1.7/8"-12	G1.1/2"-11		27.5	62	55
5JB-32-32	U2.1/2"-12	G2"-11		33.9	69	70

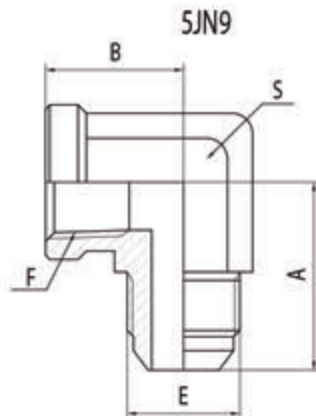
F. SAE ADAPTERS



JIC MALE 74° CONE/NPT FEMALE



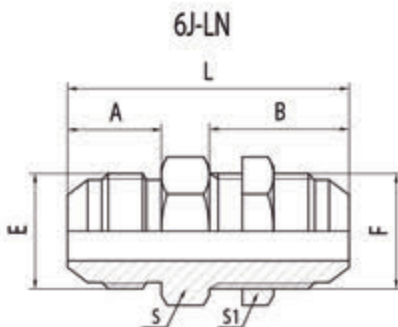
Part No.	Thread		Dimensions			
	E	F	A	L	S	
5JN-04-02	U7/16"-20	Z1/8"-27	14	30	17	
5JN-04-04	U7/16"-20	Z1/4"-18	14	32	19	
5JN-05-04	U1/2"-20	Z1/4"-18	14	32	19	
5JN-06-04	U9/16"-18	Z1/4"-18	14.1	32	19	
5JN-06-06	U9/16"-18	Z3/8"-19	14.1	34	22	
5JN-06-08	U9/16"-18	Z1/2"-14	14.1	36	30	
5JN-08-06	U3/4"-16	Z3/8"-19	16.7	39	22	
5JN-08-08	U3/4"-16	Z1/2"-14	16.7	41	30	
5JN-08-12	U3/4"-16	Z3/4"-14	16.7	46	36	
5JN-10-08	U7/8"-14	Z1/2"-14	19.3	43.5	30	
5JN-10-12	U7/8"-14	Z3/4"-14	19.3	49	36	
5JN-12-08	U1.1/16"-12	Z1/2"-14	21.9	46	30	
5JN-12-12	U1.1/16"-12	Z3/4"-14	21.9	51.5	36	
5JN-16-12	U1.5/16"-12	Z3/4"-14	23.1	52.5	36	
5JN-16-16	U1.5/16"-12	Z1"-11.5	23.1	58	41	
5JN-20-20	U1.5/8"-12	Z1.1/4"-11.5	24.3	61	50	
5JN-24-24	U1.7/8"-12	Z1.1/2"-11.5	27.5	64	55	
5JN-32-32	U2.1/2"-12	Z2"-11.5	33.9	70.5	70	



90° JIC MALE 74° CONE/NPT FEMALE

Part No.	Thread		Dimensions		
	E	F	A	B	S
5JN9-04-02	U7/16"-20	Z1/8"-27	26	17	14
5JN9-04-04	U7/16"-20	Z1/4"-18	28	22	19
5JN9-06-04	U9/16"-18	Z1/4"-18	28	22	19
5JN9-06-06	U9/16"-18	Z3/8"-19	30	25	22
5JN9-08-08	U3/4"-16	Z1/2"-14	36	28	27
5JN9-12-08	U1.1/16"-12	Z1/2"-14	45	31	27
5JN9-12-12	U1.1/16"-12	Z3/4"-14	45	33	33
5JN9-16-16	U1.5/16"-12	Z1"-11.5	51	39	41
5JN9-20-20	U1.5/8"-12	Z1.1/4"-11.5	58	48	48
5JN9-24-24	U1.7/8"-12	Z1.1/2"-11.5	67	57	65

JIC MALE 74° CONE BULKHEAD

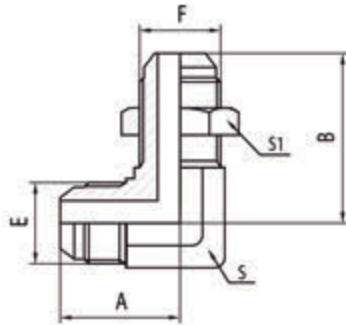


Part No.	Thread		Dimensions				
	E	F	A	B	L	S	S1
6J-04 LN	U7/16"-20	U7/16"-20	14	32.5	53	17	17
6J-05 LN	U1/2"-20	U1/2"-20	14	32.5	53	19	19
6J-06 LN	U9/16"-18	U9/16"-18	14.1	32	54	22	22
6J-08 LN	U3/4"-16	U3/4"-16	16.7	36.5	61.5	24	24
6J-10 LN	U7/8"-14	U7/8"-14	19.3	40	69.5	30	30
6J-12 LN	U1.1/16"-12	U1.1/16"-12	21.9	44	78	36	36
6J-16 LN	U1.5/16"-12	U1.5/16"-12	23.1	45	80	41	41
6J-20 LN	U1.5/8"-12	U1.5/8"-12	24.3	45.7	84	50	50
6J-24 LN	U1.7/8"-12	U1.7/8"-12	27.5	46	89	55	55
6J-32 LN	U2.1/2"-12	U2.1/2"-12	33.9	53.1	105	70	70

Please delete "LN" after the part number if don't need with lock nut, for example "6J-16".



6J9-LN



90°JIC MALE 74° CONE BULKHEAD

Part No.	Thread		Dimensions			
	E	F	A	B	S	S1
6J9-04 LN	U7/16"-20	U7/16"-20	24	40.4	11	17
6J9-05 LN	U1/2"-20	U1/2"-20	25	43.7	14	19
6J9-06 LN	U9/16"-18	U9/16"-18	27	46	14	22
6J9-08 LN	U3/4"-16	U3/4"-16	32	53.5	19	24
6J9-10 LN	U7/8"-14	U7/8"-14	37	60.7	22	30
6J9-12 LN	U1.1/16"-12	U1.1/16"-12	43	67.8	27	36
6J9-16 LN	U1.5/16"-12	U1.5/16"-12	48	71	33	41
6J9-20 LN	U1.5/8"-12	U1.5/8"-12	57	79.2	41	50

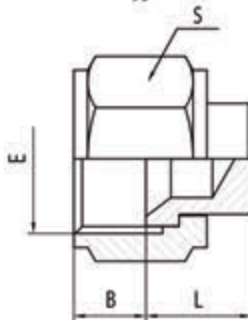
8J



JIC LOCK NUT

Part No.	Thread		Dimensions			
	E		L	S		
8J-04	U7/16"-20		7	17		
8J-05	U1/2"-20		7	19		
8J-06	U9/16"-18		7	22		
8J-08	U3/4"-16		8	24		
8J-10	U7/8"-14		9	30		
8J-12	U1.1/16"-12		10.5	36		
8J-16	U1.5/16"-12		10.5	41		
8J-20	U1.5/8"-12		10.5	50		
8J-24	U1.7/8"-12		10.5	55		
8J-32	U2.1/2"-12		10.5	70		

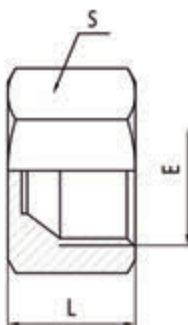
9J



JIC FEMALE 74° SEAT PLUG

Part No.	Thread		Dimensions			
	E		B	L	S	
9J-04-04	U7/16"-20		8.5	12	17	
9J-05-05	U1/2"-20		8.5	13	17	
9J-06-06	U9/16"-18		8	14	19	
9J-08-08	U3/4"-16		11	15	24	
9J-10-10	U7/8"-14		11	17	27	
9J-12-12	U1.1/16"-12		13	19	32	
9J-16-16	U1.5/16"-12		14	20	38	
9J-20-20	U1.5/8"-12		15	24	50	
9J-24-24	U1.7/8"-12		19	25	55	
9J-32-32	U2.1/2"-12		24	35	75	

9J-CAP



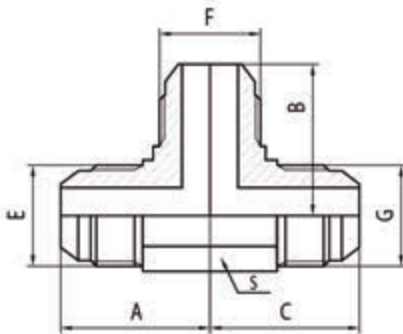
JIC 74° FEMALE PLUG

Part No.	Thread		Dimensions			
	E		L	S		
9J-04CAP	U7/16"-20		15	14		
9J-05CAP	U1/2"-20		15.5	17		
9J-06CAP	U9/16"-18		16	17		
9J-08CAP	U3/4"-16		19	22		
9J-10CAP	U7/8"-14		21.5	27		
9J-12CAP	U1.1/16"-12		23	32		
9J-16CAP	U1.5/16"-12		26	38		
9J-20CAP	U1.5/8"-12		27	50		
9J-24CAP	U1.7/8"-12		30	55		
9J-32CAP	U2.1/2"-12		36.5	75		

F. SAE ADAPTERS

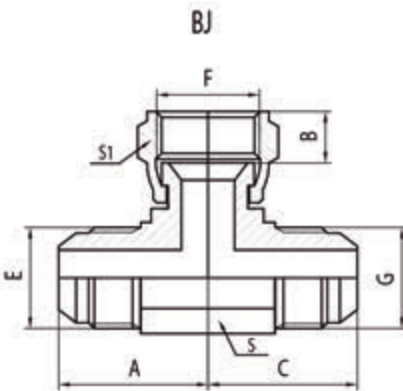


JIC MALE 74° CONE TEE



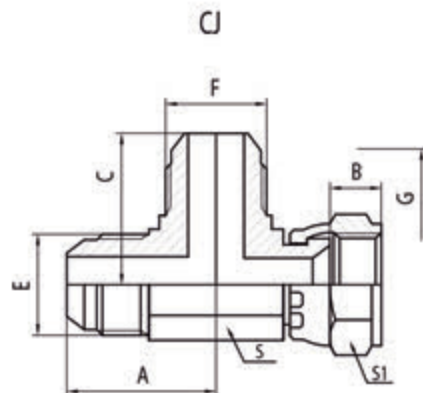
Part No.	Thread			Dimensions			
	E	F	G	A	B	C	S
AJ-04	U7/16"-20	U7/16"-20	U7/16"-20	24	24	24	11
AJ-05	U1/2"-20	U1/2"-20	U1/2"-20	25	25	25	14
AJ-06	U9/16"-18	U9/16"-18	U9/16"-18	25	25	25	14
AJ-08	U3/4"-16	U3/4"-16	U3/4"-16	33	33	33	19
AJ-10	U7/8"-14	U7/8"-14	U7/8"-14	37	37	37	22
AJ-12	U1.1/16"-12	U1.1/16"-12	U1.1/16"-12	43	43	43	27
AJ-16	U1.5/16"-12	U1.5/16"-12	U1.5/16"-12	46	46	46	33
AJ-20	U1.5/8"-12	U1.5/8"-12	U1.5/8"-12	57	57	57	44
AJ-24	U1.7/8"-12	U1.7/8"-12	U1.7/8"-12	58	58	58	48

JIC MALE 74° CONE/JIC FEMALE 74° SEAT BRANCH TEE



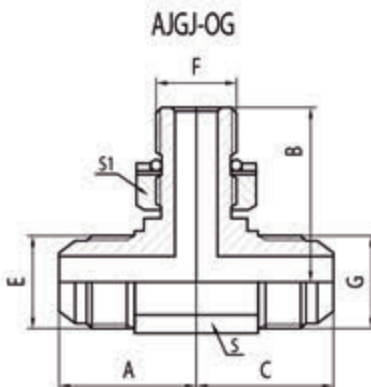
Part No.	Thread			Dimensions				
	E	F	G	A	B	C	S	S1
BJ-04-04-04	U7/16"-20	U7/16"-20	U7/16"-20	24	8.5	24	11	17
BJ-05-05-05	U1/2"-20	U1/2"-20	U1/2"-20	25	9.5	25	14	19
BJ-06-06-06	U9/16"-18	U9/16"-18	U9/16"-18	25	10	25	14	19
BJ-08-08-08	U3/4"-16	U3/4"-16	U3/4"-16	33	11	33	19	24
BJ-10-10-10	U7/8"-14	U7/8"-14	U7/8"-14	37	11	37	22	27
BJ-12-12-12	U1.1/16"-12	U1.1/16"-12	U1.1/16"-12	43	13.5	43	27	32
BJ-16-16-16	U1.5/16"-12	U1.5/16"-12	U1.5/16"-12	46	14.5	46	33	41
BJ-20-20-20	U1.5/8"-12	U1.5/8"-12	U1.5/8"-12	57	15.5	57	44	50
BJ-24-24-24	U1.7/8"-12	U1.7/8"-12	U1.7/8"-12	58	18.5	58	48	55

JIC MALE 74° CONE/JIC FEMALE 74° SEAT RUN TEE



Part No.	Thread			Dimensions				
	E	F	G	A	B	C	S	S1
CJ-04-04-04	U7/16"-20	U7/16"-20	U7/16"-20	24	8.5	24	11	17
CJ-05-05-05	U1/2"-20	U1/2"-20	U1/2"-20	25	9.5	25	14	19
CJ-06-06-06	U9/16"-18	U9/16"-18	U9/16"-18	25	10	25	14	19
CJ-08-08-08	U3/4"-16	U3/4"-16	U3/4"-16	33	11	33	19	24
CJ-10-10-10	U7/8"-14	U7/8"-14	U7/8"-14	37	11	37	22	27
CJ-12-12-12	U1.1/16"-12	U1.1/16"-12	U1.1/16"-12	43	13.5	43	27	32
CJ-16-16-16	U1.5/16"-12	U1.5/16"-12	U1.5/16"-12	46	14.5	46	33	41
CJ-20-20-20	U1.5/8"-12	U1.5/8"-12	U1.5/8"-12	57	15.5	57	44	50
CJ-24-24-24	U1.7/8"-12	U1.7/8"-12	U1.7/8"-12	58	18.5	58	48	55

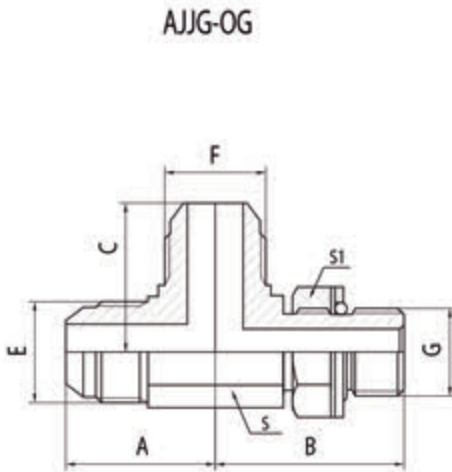
JIC MALE 74° CONE/BSP MALE O-RING BRANCH TEE



Part No.	Thread			Dimensions				
	E	F	G	A	B	C	S	S1
AJGJ-04-04-04 OG	U7/16"-20	G1/4"-19	U7/16"-20	26	32	26	14	19
AJGJ-05-04-05 OG	U1/2"-20	G1/4"-19	U1/2"-20	26	32	26	14	19
AJGJ-06-06-06 OG	U9/16"-18	G3/8"-19	U9/16"-18	29	35	29	19	22
AJGJ-08-06-08 OG	U3/4"-16	G3/8"-19	U3/4"-16	32	36	32	19	22
AJGJ-08-08-08 OG	U3/4"-16	G1/2"-14	U3/4"-16	35	44	35	22	27
AJGJ-10-08-10 OG	U7/8"-14	G1/2"-14	U7/8"-14	37	44	37	22	27
AJGJ-12-12-12 OG	U1.1/16"-12	G3/4"-14	U1.1/16"-12	44	50	44	27	32
AJGJ-16-16-16 OG	U1.5/16"-12	G1"-11	U1.5/16"-12	48	55.5	48	33	41

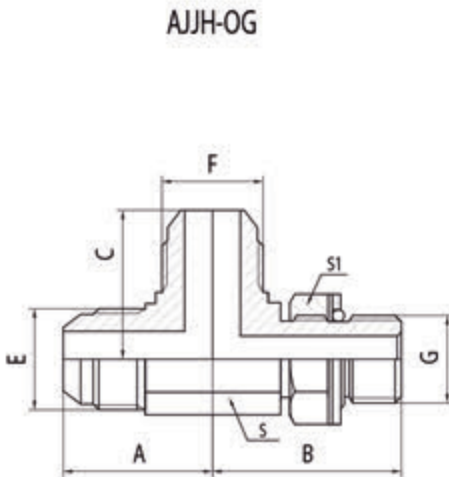


JIC MALE 74° CONE/BSP MALE O-RING RUN TEE



Part No.	Thread			Dimensions				
	E	F	G	A	B	C	S	S1
AJJG-04-04-02 OG	U7/16"-20	U7/16"-20	G1/8"-28	23	26.5	23	11	14
AJJG-04-04-04 OG	U7/16"-20	U7/16"-20	G1/4"-19	26	32	26	14	19
AJJG-05-05-02 OG	U1/2"-20	U1/2"-20	G1/8"-28	26	28	26	14	14
AJJG-05-05-04 OG	U1/2"-20	U1/2"-20	G1/4"-19	26	32	26	14	19
AJJG-06-06-04 OG	U9/16"-18	U9/16"-18	G1/4"-19	27	32	27	14	19
AJJG-06-06-06 OG	U9/16"-18	U9/16"-18	G3/8"-19	29	35	29	19	22
AJJG-08-08-06 OG	U3/4"-16	U3/4"-16	G3/8"-19	32	36	32	19	22
AJJG-08-08-08 OG	U3/4"-16	U3/4"-16	G1/2"-14	35	44	35	22	27
AJJG-10-10-08 OG	U7/8"-14	U7/8"-14	G1/2"-14	37	44	37	22	27
AJJG-12-12-12 OG	U1.1/16"-12	U1.1/16"-12	G3/4"-14	44	50	44	27	32
AJJG-16-16-16 OG	U1.5/16"-12	U1.5/16"-12	G1"-11	48	55.5	48	33	41

JIC MALE 74° CONE/METRIC MALE ADJUSTABLE STUD RUN TEE



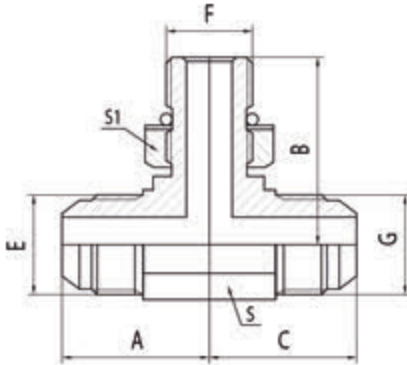
Part No.	Thread			Dimensions				
	E	F	G	A	B	C	S	S1
AJJH-04-04-10 OG	U7/16"-20	U7/16"-20	M10X1	25	29	25	14	14
AJJH-04-04-12 OG	U7/16"-20	U7/16"-20	M12X1.5	25	32	25	14	17
AJJH-05-05-12 OG	U1/2"-20	U1/2"-20	M12X1.5	25	32	25	14	17
AJJH-05-05-14 OG	U1/2"-20	U1/2"-20	M14X1.5	25	33	25	14	19
AJJH-06-06-14 OG	U9/16"-18	U9/16"-18	M14X1.5	27	32	27	14	19
AJJH-06-06-16 OG	U9/16"-18	U9/16"-18	M16X1.5	29	35	29	19	22
AJJH-08-08-16 OG	U3/4"-16	U3/4"-16	M16X1.5	32	35	32	19	22
AJJH-08-08-18 OG	U3/4"-16	U3/4"-16	M18X1.5	35	39.5	35	22	24
AJJH-10-10-18 OG	U7/8"-14	U7/8"-14	M18X1.5	37	40	37	22	24
AJJH-10-10-22 OG	U7/8"-14	U7/8"-14	M22X1.5	37	42	37	22	27
AJJH-12-12-22 OG	U1.1/16"-12	U1.1/16"-12	M22X1.5	43	46	43	27	27
AJJH-12-12-27 OG	U1.1/16"-12	U1.1/16"-12	M27X2	43	50	43	27	32
AJJH-16-16-27 OG	U1.5/16"-12	U1.5/16"-12	M27X2	48	53	48	33	32
AJJH-16-16-33 OG	U1.5/16"-12	U1.5/16"-12	M33X2	48	53	48	33	41
AJJH-20-20-42 OG	U1.5/8"-12	U1.5/8"-12	M42X2	55	57	55	41	50
AJJH-24-24-48 OG	U1.7/8"-12	U1.7/8"-12	M48X2	59	63	59	48	55

Please add "TO" after the part number if there is nowasher out of the O-ring on the product, for example AJJH-06-06-14 OG/TO

JIC MALE 74° CONE/SAE MALE O-RING BRANCH TEE

Part No.	Thread			Dimensions				
	E	F	G	A	B	C	S	S1
AJOJ-04-04-04 OG	U7/16"-20	U7/16"-20	U7/16"-20	24	26	24	11	17
AJOJ-05-04-05 OG	U1/2"-20	U7/16"-20	U1/2"-20	25	32	25	14	17
AJOJ-06-04-06 OG	U9/16"-18	U7/16"-20	U9/16"-18	27	32	27	14	17
AJOJ-06-05-06 OG	U9/16"-18	U1/2"-20	U9/16"-18	27	32	27	14	17
AJOJ-06-06-06 OG	U9/16"-18	U9/16"-18	U9/16"-18	27	32	27	14	19
AJOJ-08-06-08 OG	U3/4"-16	U9/16"-18	U3/4"-16	32	34	32	19	19
AJOJ-08-08-08 OG	U3/4"-16	U3/4"-16	U3/4"-16	32	37	32	19	24
AJOJ-10-08-10 OG	U7/8"-14	U3/4"-16	U7/8"-14	37	40	37	22	24
AJOJ-10-10-10 OG	U7/8"-14	U7/8"-14	U7/8"-14	37	43	37	22	27
AJOJ-12-08-12 OG	U1.1/16"-12	U3/4"-16	U1.1/16"-12	43	43	43	27	24
AJOJ-12-10-12 OG	U1.1/16"-12	U7/8"-14	U1.1/16"-12	44	47	44	27	27
AJOJ-12-12-12 OG	U1.1/16"-12	U1.1/16"-12	U1.1/16"-12	44	50	44	27	32
AJOJ-16-16-16 OG	U1.5/16"-12	U1.5/16"-12	U1.5/16"-12	49	53	49	33	41
AJOJ-20-16-20 OG	U1.5/8"-12	U1.5/16"-12	U1.5/8"-12	55	58	55	41	41
AJOJ-20-20-20 OG	U1.5/8"-12	U1.5/8"-12	U1.5/8"-12	55	62	55	41	50
AJOJ-24-24-24 OG	U1.7/8"-12	U1.7/8"-12	U1.7/8"-12	59	63	59	48	55

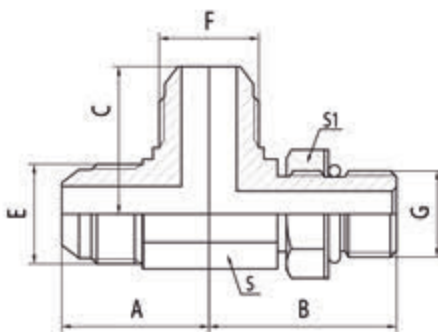
AJOJ-OG



JIC MALE 74° CONE/SAE MALE O-RING RUN TEE

Part No.	Thread			Dimensions				
	E	F	G	A	B	C	S	S1
AJJO-04-04-04 OG	U7/16"-20	U7/16"-20	U7/16"-20	24	26	24	11	17
AJJO-05-05-04 OG	U1/2"-20	U1/2"-20	U7/16"-20	25	32	25	14	17
AJJO-06-06-04 OG	U9/16"-18	U9/16"-18	U7/16"-20	27	32	27	14	17
AJJO-06-06-05 OG	U9/16"-18	U9/16"-18	U1/2"-20	27	32	27	14	17
AJJO-06-06-06 OG	U9/16"-18	U9/16"-18	U9/16"-18	27	32	27	14	19
AJJO-08-08-06 OG	U3/4"-16	U3/4"-16	U9/16"-18	32	34	32	19	19
AJJO-08-08-08 OG	U3/4"-16	U3/4"-16	U3/4"-16	32	37	32	19	24
AJJO-10-10-08 OG	U7/8"-14	U7/8"-14	U3/4"-16	37	40	37	22	24
AJJO-10-10-10 OG	U7/8"-14	U7/8"-14	U7/8"-14	37	43	37	22	27
AJJO-12-12-08 OG	U1.1/16"-12	U1.1/16"-12	U3/4"-16	43	43	43	27	24
AJJO-12-12-10 OG	U1.1/16"-12	U1.1/16"-12	U7/8"-14	44	47	44	27	27
AJJO-12-12-12 OG	U1.1/16"-12	U1.1/16"-12	U1.1/16"-12	44	50	44	27	32
AJJO-16-16-16 OG	U1.5/16"-12	U1.5/16"-12	U1.5/16"-12	49	53	49	33	41
AJJO-20-20-16 OG	U1.5/8"-12	U1.5/8"-12	U1.5/16"-12	55	58	55	41	41
AJJO-20-20-20 OG	U1.5/8"-12	U1.5/8"-12	U1.5/8"-12	55	62	55	41	50
AJJO-24-24-24 OG	U1.7/8"-12	U1.7/8"-12	U1.7/8"-12	59	63	59	48	55

AJJO-OG

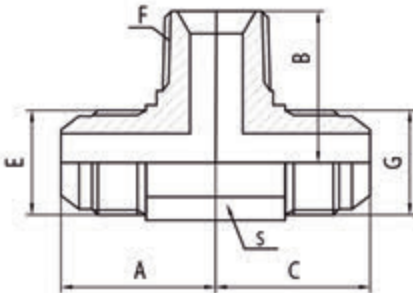




JIC MALE 74° CONE/NPT MALE BRANCH TEE

Part No.	Thread			Dimensions			
	E	F	G	A	B	C	S
AJNJ-04	U7/16"-20	Z1/4"-18	U7/16"-20	24.5	24.5	24.5	14
AJNJ-04-02-04	U7/16"-20	Z1/8"-27	U7/16"-20	24.5	24.5	24.5	14
AJNJ-05-02-05	U1/2"-20	Z1/8"-27	U1/2"-20	25	24	25	14
AJNJ-05-04-05	U1/2"-20	Z1/4"-18	U1/2"-20	25	25	25	14
AJNJ-06-04-06	U9/16"-18	Z1/4"-18	U9/16"-18	29	29	29	17
AJNJ-06	U9/16"-18	Z3/8"-18	U9/16"-18	27	27	27	17
AJNJ-06-08-06	U9/16"-18	Z1/2"-14	U9/16"-18	30	34	30	22
AJNJ-08-06-08	U3/4"-16	Z3/8"-18	U3/4"-16	33	29	33	19
AJNJ-08	U3/4"-16	Z1/2"-14	U3/4"-16	33	34	33	22
AJNJ-10-08-10	U7/8"-14	Z1/2"-14	U7/8"-14	35	35	35	22
AJNJ-12	U1.1/16"-12	Z3/4"-14	U1.1/16"-12	43	40	43	27
AJNJ-16	U1.5/16"-12	Z1"-11.5	U1.5/16"-12	46	46	46	33
AJNJ-20	U1.5/8"-12	Z1.1/4"-11.5	U1.5/8"-12	57	55.5	57	44
AJNJ-24	U1.7/8"-12	Z1.1/2"-11.5	U1.7/8"-12	59	59	59	48

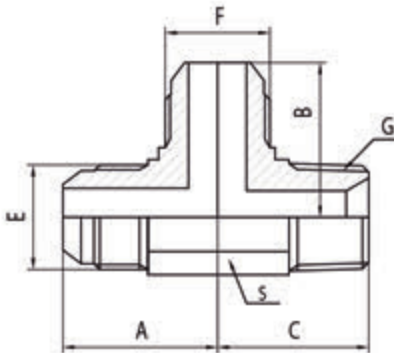
AJNJ



JIC MALE 74° CONE/NPT MALE RUN TEE

Part No.	Thread			Dimensions			
	E	F	G	A	B	C	S
AJN-04	U7/16"-20	U7/16"-20	Z1/4"-18	24.5	24.5	24.5	14
AJN-04-04-02	U7/16"-20	U7/16"-20	Z1/8"-27	24.5	24.5	24.5	14
AJN-05-05-02	U1/2"-20	U1/2"-20	Z1/8"-27	25	25	24	14
AJN-05-05-04	U1/2"-20	U1/2"-20	Z1/4"-18	25	25	25	14
AJN-06-06-04	U9/16"-18	U9/16"-18	Z1/4"-18	29	29	29	17
AJN-06	U9/16"-18	U9/16"-18	Z3/8"-18	27	27	27	17
AJN-06-06-08	U9/16"-18	U9/16"-18	Z1/2"-14	30	30	34	22
AJN-08-08-06	U3/4"-16	U3/4"-16	Z3/8"-18	33	33	29	19
AJN-08	U3/4"-16	U3/4"-16	Z1/2"-14	33	33	34	22
AJN-10-10-08	U7/8"-14	U7/8"-14	Z1/2"-14	35	35	35	22
AJN-12	U1.1/16"-12	U1.1/16"-12	Z3/4"-14	43	43	40	27
AJN-16	U1.5/16"-12	U1.5/16"-12	Z1"-11.5	46	46	46	33
AJN-20	U1.5/8"-12	U1.5/8"-12	Z1.1/4"-11.5	57	57	55.5	44
AJN-24	U1.7/8"-12	U1.7/8"-12	Z1.1/2"-11.5	59	59	59	48

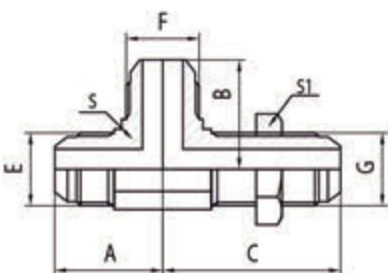
AJN



JIC MALE 74° CONE BULKHEAD RUN TEE

Part No.	Thread			Dimensions				
	E	F	G	A	B	C	S	S1
AJJ6J-04 LN	U7/16"-20	U7/16"-20	U7/16"-20	24	24	40.4	11	17
AJJ6J-05 LN	U1/2"-20	U1/2"-20	U1/2"-20	25	25	43.7	14	19
AJJ6J-06 LN	U9/16"-18	U9/16"-18	U9/16"-18	25	25	46	14	22
AJJ6J-08 LN	U3/4"-16	U3/4"-16	U3/4"-16	33	33	53.5	19	24
AJJ6J-10 LN	U7/8"-14	U7/8"-14	U7/8"-14	37	37	60.7	22	30
AJJ6J-12 LN	U1.1/16"-12	U1.1/16"-12	U1.1/16"-12	43	43	67.8	27	36
AJJ6J-16 LN	U1.5/16"-12	U1.5/16"-12	U1.5/16"-12	46	46	71	33	41
AJJ6J-20 LN	U1.5/8"-12	U1.5/8"-12	U1.5/8"-12	57	57	79.2	44	50
AJJ6J-24 LN	U1.7/8"-12	U1.7/8"-12	U1.7/8"-12	58	58	86.9	48	55

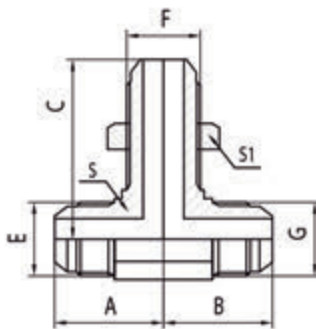
AJJ6J-LN



Please delete "LN" after the part number if don't need with lock nut, for example "AJJ6J-16".

JIC MALE 74° CONE BULKHEAD BRANCH TEE

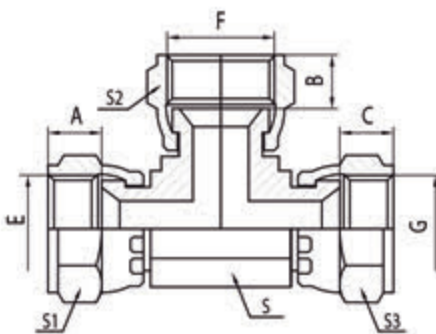
AJ6JJ-LN



Part No.	Thread			Dimensions				
	E	F	G	A	B	C	S	S1
AJ6JJ-04 LN	U7/16"-20	U7/16"-20	U7/16"-20	24	24	40.4	11	17
AJ6JJ-05 LN	U1/2"-20	U1/2"-20	U1/2"-20	25	25	43.7	14	19
AJ6JJ-06 LN	U9/16"-18	U9/16"-18	U9/16"-18	25	25	46	14	22
AJ6JJ-08 LN	U3/4"-16	U3/4"-16	U3/4"-16	33	33	53.5	19	24
AJ6JJ-10 LN	U7/8"-14	U7/8"-14	U7/8"-14	37	37	60.7	22	30
AJ6JJ-12 LN	U1.1/16"-12	U1.1/16"-12	U1.1/16"-12	43	43	67.8	27	36
AJ6JJ-16 LN	U1.5/16"-12	U1.5/16"-12	U1.5/16"-12	46	46	71	33	41
AJ6JJ-20 LN	U1.5/8"-12	U1.5/8"-12	U1.5/8"-12	57	57	79.2	44	50
AJ6JJ-24 LN	U1.7/8"-12	U1.7/8"-12	U1.7/8"-12	58	58	86.9	48	55

Please delete "LN" after the part number if don't need with lock nut, for example AJ6JJ-16.

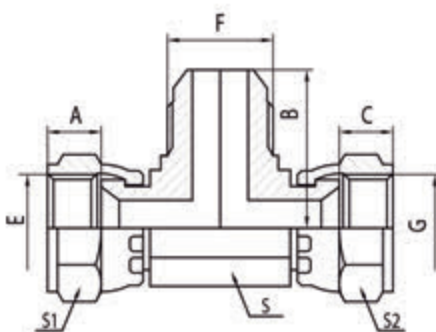
DJ



JIC FEMALE 74° SEAT TEE

Part No.	Thread			Dimensions			
	E	F	G	A B C	S	S1 S2 S3	
DJ-04-04-04	U7/16"-20	U7/16"-20	U7/16"-20	8.5	11	17	
DJ-05-05-05	U1/2"-20	U1/2"-20	U1/2"-20	9.5	11	19	
DJ-06-06-06	U9/16"-18	U9/16"-18	U9/16"-18	10	14	19	
DJ-08-08-08	U3/4"-16	U3/4"-16	U3/4"-16	11	19	24	
DJ-10-10-10	U7/8"-14	U7/8"-14	U7/8"-14	11	22	27	
DJ-12-12-12	U1.1/16"-12	U1.1/16"-12	U1.1/16"-12	13.5	24	32	
DJ-16-16-16	U1.5/16"-12	U1.5/16"-12	U1.5/16"-12	14.5	33	41	
DJ-20-20-20	U1.5/8"-12	U1.5/8"-12	U1.5/8"-12	15.5	44	50	
DJ-24-24-24	U1.7/8"-12	U1.7/8"-12	U1.7/8"-12	18.5	48	55	

EJ

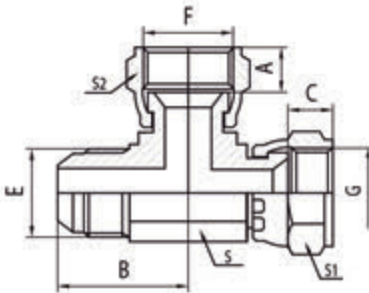


JIC FEMALE 74° SEAT/JIC MALE 74° CONE BRANCH TEE

Part No.	Thread			Dimensions			
	E	F	G	A C	B	S	S1 S2
EJ-04-04-04	U7/16"-20	U7/16"-20	U7/16"-20	8.5	24	11	17
EJ-05-05-05	U1/2"-20	U1/2"-20	U1/2"-20	9.5	25	14	19
EJ-06-06-06	U9/16"-18	U9/16"-18	U9/16"-18	10	25	14	19
EJ-08-08-08	U3/4"-16	U3/4"-16	U3/4"-16	11	33	19	24
EJ-10-10-10	U7/8"-14	U7/8"-14	U7/8"-14	11	37	22	27
EJ-12-12-12	U1.1/16"-12	U1.1/16"-12	U1.1/16"-12	13.5	43	27	32
EJ-16-16-16	U1.5/16"-12	U1.5/16"-12	U1.5/16"-12	14.5	46	33	41
EJ-20-20-20	U1.5/8"-12	U1.5/8"-12	U1.5/8"-12	15.5	57	44	50
EJ-24-24-24	U1.7/8"-12	U1.7/8"-12	U1.7/8"-12	18.5	58	48	55

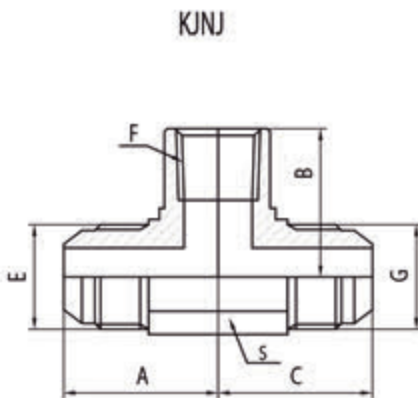


JIC MALE 74° CONE/JIC FEMALE 74° SEAT RUN TEE



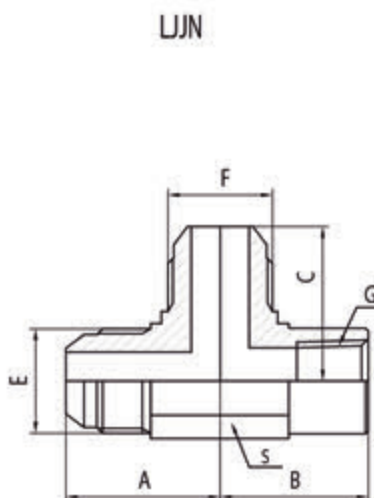
Part No.	Thread			Dimensions			
	E	F	G	A C	B	S	S1 S2
FJ-04-04-04	U7/16"-20	U7/16"-20	U7/16"-20	8.5	24	11	17
FJ-05-05-05	U1/2"-20	U1/2"-20	U1/2"-20	9.5	25	14	19
FJ-06-06-06	U9/16"-18	U9/16"-18	U9/16"-18	10	25	14	19
FJ-08-08-08	U3/4"-16	U3/4"-16	U3/4"-16	11	33	19	24
FJ-10-10-10	U7/8"-14	U7/8"-14	U7/8"-14	11	37	22	27
FJ-12-12-12	U1.1/16"-12	U1.1/16"-12	U1.1/16"-12	13.5	43	27	32
FJ-16-16-16	U1.5/16"-12	U1.5/16"-12	U1.5/16"-12	14.5	46	33	41
FJ-20-20-20	U1.5/8"-12	U1.5/8"-12	U1.5/8"-12	15.5	57	44	50
FJ-24-24-24	U1.7/8"-12	U1.7/8"-12	U1.7/8"-12	18.5	58	48	55

JIC MALE 74° CONE/NPT FEMALE BRANCH TEE



Part No.	Thread			Dimensions			
	E	F	G	A	B	C	S
KJNJ-04	U7/16"-20	Z1/4"-18	U7/16"-20	28.5	22	28.5	19
KJNJ-04-02-04	U7/16"-20	Z1/8"-27	U7/16"-20	26.5	17	26.5	14
KJNJ-05-02-05	U1/2"-20	Z1/8"-27	U1/2"-20	26.5	17	26.5	14
KJNJ-05-04-05	U1/2"-20	Z1/4"-18	U1/2"-20	28.5	22	28.5	19
KJNJ-06-04-06	U9/16"-18	Z1/4"-18	U9/16"-18	28.5	22	28.5	19
KJNJ-06	U9/16"-18	Z3/8"-18	U9/16"-18	30.5	25	30.5	22
KJNJ-08-06-08	U3/4"-16	Z3/8"-18	U3/4"-16	33.5	25	33.5	22
KJNJ-08	U3/4"-16	Z1/2"-14	U3/4"-16	36.5	28	36.5	27
KJNJ-10-08-10	U7/8"-14	Z1/2"-14	U7/8"-14	38	28	38	27
KJNJ-12	U1.1/16"-12	Z3/4"-14	U1.1/16"-12	41	33	41	33
KJNJ-16	U1.5/16"-12	Z1"-11.5	U1.5/16"-12	51	39	51	41
KJNJ-20	U1.5/8"-12	Z1.1/4"-11.5	U1.5/8"-12	58	48	58	48

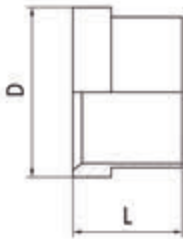
JIC MALE 74° CONE/NPT FEMALE RUN TEE



Part No.	Thread			Dimensions			
	E	F	G	A	B	C	S
LJNJ-04	U7/16"-20	U7/16"-20	Z1/4"-18	28.5	22	28.5	19
LJNJ-04-04-02	U7/16"-20	U7/16"-20	Z1/8"-27	26.5	17	26.5	14
LJNJ-05-05-02	U1/2"-20	U1/2"-20	Z1/8"-27	26.5	17	26.5	14
LJNJ-05-05-04	U1/2"-20	U1/2"-20	Z1/4"-18	28.5	22	28.5	19
LJNJ-06-06-04	U9/16"-18	U9/16"-18	Z1/4"-18	28.5	22	28.5	19
LJNJ-06	U9/16"-18	U9/16"-18	Z3/8"-18	30.5	25	30.5	22
LJNJ-08-08-06	U3/4"-16	U3/4"-16	Z3/8"-18	33.5	25	33.5	22
LJNJ-08	U3/4"-16	U3/4"-16	Z1/2"-14	36.5	28	36.5	27
LJNJ-10-10-08	U7/8"-14	U7/8"-14	Z1/2"-14	38	28	38	27
LJNJ-12	U1.1/16"-12	U1.1/16"-12	Z3/4"-14	41	33	41	33
LJNJ-16	U1.5/16"-12	U1.5/16"-12	Z1"-11.5	51	39	51	41
LJNJ-20	U1.5/8"-12	U1.5/8"-12	Z1.1/4"-11.5	58	48	58	48

JIC INCH SLEEVE

NB300



Part No.	Thread	TUBE O.D		Dimensions			
		in		D	L		
NB300-04	U7/16"-20	1/4"		9.5	10.5		
NB300-05	U1/2"-20	5/16"		11.5	11.5		
NB300-06	U9/16"-18	3/8"		12.5	13		
NB300-08	U3/4"-16	1/2"		17	14		
NB300-10	U7/8"-14	5/8"		20	17		
NB300-12	U1.1/16"-12	3/4"		24.5	17.5		
NB300-14	U1.3/16"-12	7/8"		27.5	19.5		
NB300-16	U1.5/16"-12	1"		31	20		
NB300-20	U1.5/8"-12	1.1/4"		39	23.5		
NB300-24	U1.7/8"-12	1.1/2"		45	28.5		

JIC METRIC SLEEVE

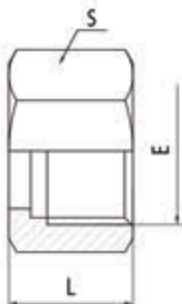
NB500



Part No.	Thread	TUBE O.D		Dimensions			
		mm		D	L		
NB500-06	U7/16"-20	6		9.5	10.5		
NB500-08	U1/2"-20	8		11.5	11.5		
NB500-10	U9/16"-18	10		12.5	13		
NB500-12	U3/4"-16	12		17	14		
NB500-14	U7/8"-14	14		20	17		
NB500-15	U7/8"-14	15		20	17		
NB500-16	U7/8"-14	16		20	17		
NB500-18	U1.1/16"-12	18		24.5	17.5		
NB500-20	U1.1/16"-12	20		24.5	17.5		
NB500-22	U1.3/16"-12	22		27.5	19.5		
NB500-25	U1.5/16"-12	25		31	20		
NB500-28	U1.5/8"-12	28		39	23.5		
NB500-30	U1.5/8"-12	30		39	23.5		
NB500-32	U1.5/8"-12	32		39	23.5		
NB500-35	U1.7/8"-12	35		45	28.5		
NB500-38	U1.7/8"-12	38		45	28.5		

JIC FLARE TUBE END NUT

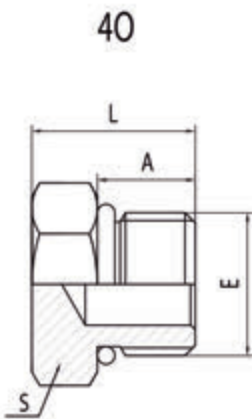
OOTSUM-NB



Part No.	Thread	INCH SLEEVE		METRIC SLEEVE		Dimensions	
		O.D	NO.	O.D	NO.	L	S
OOTSUM-04NB	U7/16"-20	1/4"	NB300-04	6	NB500-06	15	14
OOTSUM-05NB	U1/2"-20	5/16"	NB300-05	8	NB500-08	16	17
OOTSUM-06NB	U9/16"-18	3/8"	NB300-06	10	NB500-10	18	17
OOTSUM-08NB	U3/4"-16	1/2"	NB300-08	12	NB500-12	21.5	22
OOTSUM-10NB	U7/8"-14			14	NB500-14	21	27
OOTSUM-10NB	U7/8"-14			15	NB500-15	21	27
OOTSUM-10NB	U7/8"-14	5/8"	NB300-10	16	NB500-16	21	27
OOTSUM-12NB	U1.1/16"-12	3/4"	NB300-12	18	NB500-18	24	32
OOTSUM-12NB	U1.1/16"-12			20	NB500-20	24	32
OOTSUM-14NB	U1.3/16"-12			20	NB500-20	24	36
OOTSUM-14NB	U1.3/16"-12	7/8"	NB300-14	22	NB500-22	24	36
OOTSUM-16NB	U1.5/16"-12	1"	NB300-16	25	NB500-25	26	38
OOTSUM-20NB	U1.5/8"-12			28	NB500-28	28	50
OOTSUM-20NB	U1.5/8"-12			30	NB500-30	28	50
OOTSUM-20NB	U1.5/8"-12	1.1/4"	NB300-20	32	NB500-32	28	50
OOTSUM-24NB	U1.7/8"-12			35	NB500-35	32	55
OOTSUM-24NB	U1.7/8"-12	1.1/2"	NB300-24	38	NB500-38	32	55

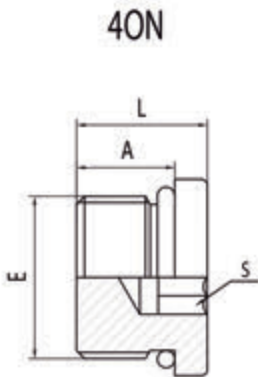


SAE MALE O-RING PLUG



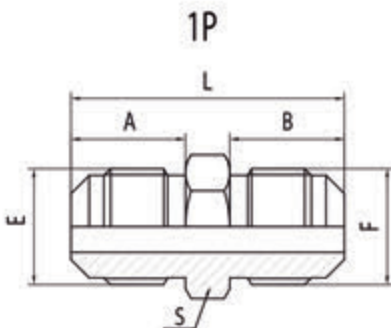
Part No.	Thread		Dimensions			
	E		A	L	S	
40-04	U7/16"-20		9.14	16	14	
40-05	U1/2"-20		9.14	16	17	
40-06	U9/16"-18		9.93	17.5	17	
40-08	U3/4"-16		11.13	19.5	24	
40-10	U7/8"-14		12.7	23	27	
40-12	U1.1/16"-12		15.09	26	32	
40-16	U1.5/16"-12		15.1	27	41	
40-20	U1.5/8"-12		15.1	30.5	50	
40-24	U1.7/8"-12		15.1	30.5	55	
40-32	U2.1/2"-12		15.1	32	70	

SAE MALE O-RING BOSS HOLLOW HEX PLUG



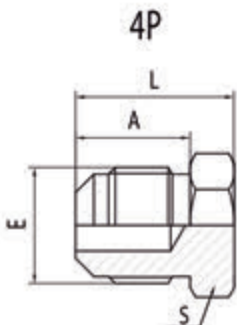
Part No.	Thread		Dimensions			
	E		A	L	S	
40N-04	U7/16"-20		9.14	11.5	5	
40N-05	U1/2"-20		9.14	11.5	5	
40N-06	U9/16"-18		9.93	12.7	6	
40N-08	U3/4"-16		11.13	14.3	8	
40N-10	U7/8"-14		12.7	16	10	
40N-12	U1.1/16"-12		15.09	19	14	
40N-16	U1.5/16"-12		15.1	19	16	
40N-20	U1.5/8"-12		15.1	19	19	

SAE MALE 90° CONE



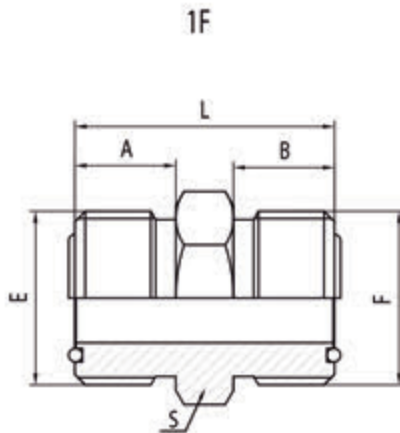
Part No.	Thread		Dimensions			
	E	F	A	B	L	S
1P-04-04	U7/16"-20	U7/16"-20	12.7	12.7	31.5	14
1P-05-05	U1/2"-20	U1/2"-20	14.2	14.2	34.5	14
1P-06-06	U5/8"-18	U5/8"-18	15.7	15.7	37.5	17
1P-08-08	U3/4"-16	U3/4"-16	19	19	46	22
1P-10-10	U7/8"-14	U7/8"-14	22.4	22.4	53	24
1P-12-12	U1.1/16"-12	U1.1/16"-12	25.4	25.4	60.5	30

SAE MALE 90° CONE PLUG

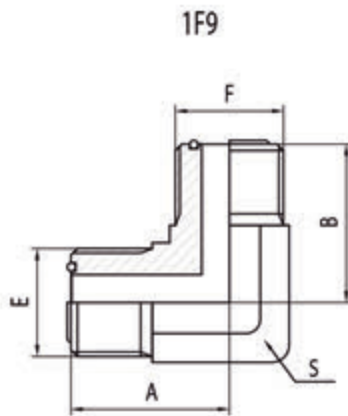


Part No.	Thread		Dimensions			
	E		A	L	S	
4P-04	U7/16"-20		12.7	18.5	14	
4P-05	U1/2"-20		14.2	20	14	
4P-06	U5/8"-18		15.7	22	17	
4P-08	U3/4"-16		19	27	22	
4P-10	U7/8"-14		22.4	30.5	24	
4P-12	U1.1/16"-12		25.4	35	30	

ORFS MALE O-RING

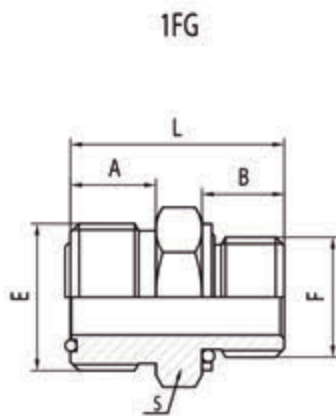


Part No.	Thread		Dimensions			
	E	F	A	B	L	S
1F-04-04	U9/16"-18	U9/16"-18	14	14	34	17
1F-06-04	U11/16"-16	U9/16"-18	14	14	34	19
1F-06-06	U11/16"-16	U11/16"-16	14	14	34	19
1F-08-06	U13/16"-16	U11/16"-16	15	14	37	22
1F-08-08	U13/16"-16	U13/16"-16	15	15	38	22
1F-10-08	U1"-14	U13/16"-16	16.5	15	40.5	27
1F-10-10	U1"-14	U1"-14	16.5	16.5	42	27
1F-12-10	U1.3/16"-12	U1"-14	17.5	16.5	44	32
1F-12-12	U1.3/16"-12	U1.3/16"-12	17.5	17.5	45	32
1F-16-16	U1.7/16"-12	U1.7/16"-12	18.5	18.5	48.5	41
1F-20-20	U1.11/16"-12	U1.11/16"-12	19.5	19.5	52.5	46
1F-24-24	U2"-12	U2"-12	19.5	19.5	54.5	55



90°ORFS MALE O-RING

Part No.	Thread		Dimensions		
	E	F	A	B	S
1F9-04-04	U9/16"-18	U9/16"-18	25.5	25.5	14
1F9-06-06	U11/16"-16	U11/16"-16	27.5	27.5	17
1F9-08-06	U13/16"-16	U11/16"-16	32	31	22
1F9-08-08	U13/16"-16	U13/16"-16	32	32	22
1F9-10-10	U1"-14	U1"-14	38	38	27
1F9-12-08	U1.3/16"-12	U13/16"-16	38	36	27
1F9-12-12	U1.3/16"-12	U1.3/16"-12	38	38	27
1F9-16-16	U1.7/16"-12	U1.7/16"-12	46	46	33
1F9-20-20	U1.11/16"-12	U1.11/16"-12	51	51	41
1F9-24-24	U2"-12	U2"-12	55	55	48



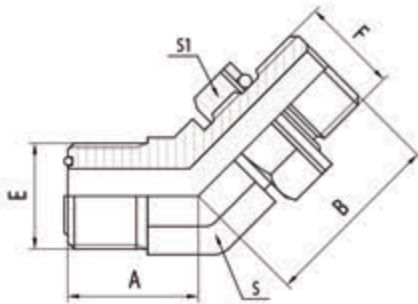
ORFS MALE O-RING/BSP MALE O-RING

Part No.	Thread		Dimensions			
	E	F	A	B	L	S
1FG-04-02	U9/16"-18	G1/8"-28	14	8	28	17
1FG-04-04	U9/16"-18	G1/4"-19	14	12	32	19
1FG-04-06	U9/16"-18	G3/8"-19	14	12	34	22
1FG-06-06	U11/16"-16	G3/8"-19	14	12	34	22
1FG-06-04	U11/16"-16	G1/4"-19	14	12	32	19
1FG-06-08	U11/16"-16	G1/2"-14	14	14	36	27
1FG-08-06	U13/16"-16	G3/8"-19	15	12	35	22
1FG-08-08	U13/16"-16	G1/2"-14	15	14	37	27
1FG-10-08	U1"-14	G1/2"-14	16.5	14	39	27
1FG-10-12	U1"-14	G3/4"-14	16.5	16	43	32
1FG-12-08	U1.3/16"-12	G1/2"-14	17.5	14	41.5	32
1FG-12-12	U1.3/16"-12	G3/4"-14	17.5	16	43.5	32
1FG-16-12	U1.7/16"-12	G3/4"-14	18.5	16	45.5	41
1FG-16-16	U1.7/16"-12	G1"-11	18.5	18	48	41
1FG-20-20	U1.11/16"-12	G1.1/4"-11	19.5	20	54	50
1FG-24-24	U2"-12	G1.1/2"-11	19.5	22	57	55

Please add "TO" after the part number if there is nowasher out of the O-ring on the product, for example "1FG-06-06 TO"



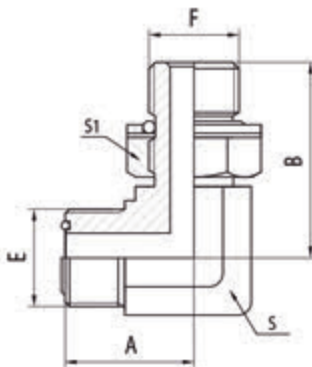
1FG4-OG



45°ORFS MALE O-RING/BSP MALE O-RING

Part No.	Thread		Dimensions			
	E	F	A	B	S	S1
1FG4-04-02 OG	U9/16"-18	G1/8"-28	22	25	14	17
1FG4-04-04 OG	U9/16"-18	G1/4"-19	22	28	14	19
1FG4-06-06 OG	U11/16"-16	G3/8"-19	22	30	19	22
1FG4-08-06 OG	U13/16"-16	G3/8"-19	25	32	22	22
1FG4-08-08 OG	U13/16"-16	G1/2"-14	25	37	22	27
1FG4-10-08 OG	U1"-14	G1/2"-14	30	39	27	27
1FG4-12-08 OG	U1.3/16"-12	G1/2"-14	34	42	30	27
1FG4-12-12 OG	U1.3/16"-12	G3/4"-14	34	42	30	32
1FG4-16-16 OG	U1.7/16"-12	G1"-11	35	45	33	41
1FG4-20-20 OG	U1.11/16"-12	G1.1/4"-11	40	46	41	50

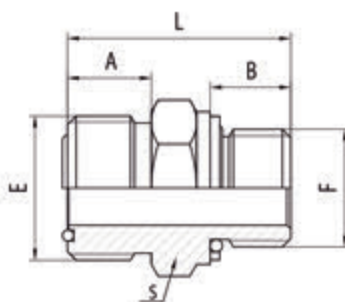
1FG9-OG



90°ORFS MALE O-RING/BSP MALE O-RING

Part No.	Thread		Dimensions			
	E	F	A	B	S	S1
1FG9-04-02 OG	U9/16"-18	G1/8"-28	25.5	28	14	17
1FG9-04-04 OG	U9/16"-18	G1/4"-19	25.5	32	14	19
1FG9-06-04 OG	U11/16"-16	G1/4"-19	28.5	35	19	19
1FG9-06-06 OG	U11/16"-16	G3/8"-19	28.5	35.5	19	22
1FG9-06-08 OG	U11/16"-16	G1/2"-14	32	44	22	27
1FG9-08-06 OG	U13/16"-16	G3/8"-19	32	37.5	22	22
1FG9-08-08 OG	U13/16"-16	G1/2"-14	32	44	22	27
1FG9-10-08 OG	U1"-14	G1/2"-14	38	48	27	27
1FG9-12-08 OG	U1.3/16"-12	G1/2"-14	39	48	27	27
1FG9-12-12 OG	U1.3/16"-12	G3/4"-14	39	49	27	32
1FG9-12-16 OG	U1.3/16"-12	G1"-11	43	55.5	33	41
1FG9-16-12 OG	U1.7/16"-12	G3/4"-14	45	53	33	32
1FG9-16-16 OG	U1.7/16"-12	G1"-11	45	55.5	33	41
1FG9-20-20 OG	U1.11/16"-12	G1.1/4"-11	52	57	41	50

1FH

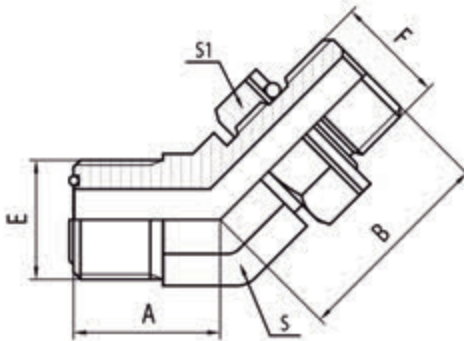


ORFS MALE O-RING/METRIC MALE

Part No.	Thread		Dimensions			
	E	F	A	B	L	S
1FH-04-10	U9/16"-18	M10X1	14	8	30	17
1FH-04-12	U9/16"-18	M12X1.5	14	12	34	17
1FH-06-12	U11/16"-16	M12X1.5	14	12	34	19
1FH-06-14	U11/16"-16	M14X1.5	14	12	34	19
1FH-06-16	U11/16"-16	M16X1.5	14	12	36	22
1FH-08-16	U13/16"-16	M16X1.5	15	12	37	22
1FH-08-18	U13/16"-16	M18X1.5	15	12	37	24
1FH-08-22	U13/16"-16	M22X1.5	15	15	41	27
1FH-10-22	U1"-14	M22X1.5	16.5	15	42	27
1FH-12-22	U1.3/16"-12	M22X1.5	17.5	15	45	32
1FH-12-27	U1.3/16"-12	M27X2	17.5	16	46	32
1FH-16-33	U1.7/16"-12	M33X2	18.5	18	51	41
1FH-20-42	U1.11/16"-12	M42X2	19.5	20	57	50
1FH-24-48	U2"-12	M48X2	19.5	22	60	55

Please add "TO" after the part number if there is nowasher out of the O-ring on the product, for example "1FH-06-14 TO, 1FG9-08-06 OG/TO"

1FH4-OG

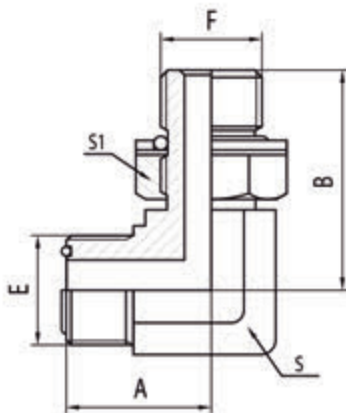


45°ORFS MALE O-RING/METRIC MALE ADJUSTABLE STUD

Part No.	Thread		Dimensions			
	E	F	A	B	S	S1
1FH4-04-14 OG	U9/16"-18	M14X1.5	22	28	14	19
1FH4-06-14 OG	U11/16"-16	M14X1.5	22	32	19	19
1FH4-06-16 OG	U11/16"-16	M16X1.5	22	30	19	22
1FH4-08-16 OG	U13/16"-16	M16X1.5	25	30	22	22
1FH4-08-18 OG	U13/16"-16	M18X1.5	25	32	22	24
1FH4-10-22 OG	U1"-14	M22X1.5	30	38	27	30
1FH4-12-22 OG	U1.3/16"-12	M22X1.5	34	38	30	30
1FH4-12-27 OG	U1.3/16"-12	M27X2	34	42	30	36
1FH4-16-33 OG	U1.7/16"-12	M33X2	35	43	33	41

90°ORFS MALE O-RING/METRIC MALE ADJUSTABLE STUD

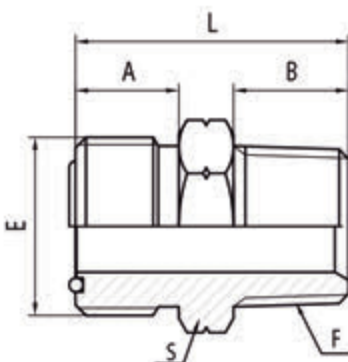
1FH9-OG



Part No.	Thread		Dimensions			
	E	F	A	B	S	S1
1FH9-04-12 OG	U9/16"-18	M12X1.5	25.5	32	14	17
1FH9-06-14 OG	U11/16"-16	M14X1.5	29	37	19	19
1FH9-06-16 OG	U11/16"-16	M16X1.5	29	35	19	22
1FH9-08-16 OG	U13/16"-16	M16X1.5	32	37	22	22
1FH9-08-18 OG	U13/16"-16	M18X1.5	32	39.5	22	24
1FH9-08-22 OG	U13/16"-16	M22X1.5	32	42	22	27
1FH9-10-22 OG	U1"-14	M22X1.5	38	45	27	27
1FH9-12-27 OG	U1.3/16"-12	M27X2	38	50	27	32
1FH9-16-33 OG	U1.7/16"-12	M33X2	46	54	33	41

Please add "TO" after the part number if there is nowasher out of the O-ring on the product, for example 1FH9-06-14 OG/TO

1FN

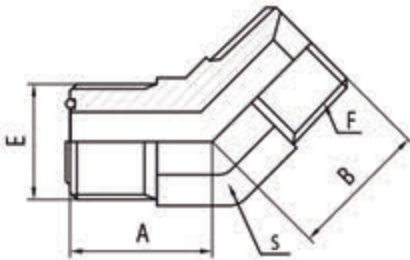


ORFS MALE O-RING/NPT MALE

Part No.	Thread		Dimensions			
	E	F	A	B	L	S
1FN-04-02	U9/16"-18	Z1/8"-27	14	10	30	17
1FN-04-04	U9/16"-18	Z1/4"-18	14	14.5	34	17
1FN-04-06	U9/16"-18	Z3/8"-18	14	14.5	34	19
1FN-06-04	U11/16"-16	Z1/4"-18	14	14.5	34	19
1FN-06-06	U11/16"-16	Z3/8"-18	14	14.5	34	19
1FN-08-06	U13/16"-16	Z3/8"-18	15	14.5	37	22
1FN-08-08	U13/16"-16	Z1/2"-14	15	19.5	42	22
1FN-10-08	U1"-14	Z1/2"-14	16.5	19.5	44	27
1FN-12-08	U1.3/16"-12	Z1/2"-14	17.5	19.5	47	32
1FN-12-12	U1.3/16"-12	Z3/4"-14	17.5	19.5	47	32
1FN-16-16	U1.7/16"-12	Z1"-11.5	18.5	24.5	54	41
1FN-20-20	U1.11/16"-12	Z1.1/4"-11.5	19.5	25	58	46
1FN-24-24	U2"-12	Z1.1/2"-11.5	19.5	25	60	55



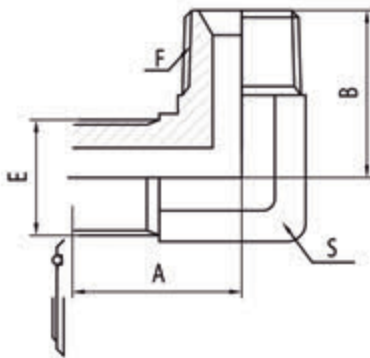
1FN4



45°ORFS MALE O-RING/NPT MALE

Part No.	Thread		Dimensions			
	E	F	A	B	S	
1FN4-04-04	U9/16"-18	Z1/4"-18	22	21	14	
1FN4-06-06	U11/16"-16	Z3/8"-18	22	21	17	
1FN4-08-08	U13/16"-16	Z1/2"-14	25	28	22	
1FN4-10-08	U1"-14	Z1/2"-14	30	32	27	
1FN4-12-12	U1.3/16"-12	Z3/4"-14	34	35	30	
1FN4-16-16	U1.7/16"-12	Z1"-11.5	35	37	33	
1FN4-20-20	U1.11/16"-12	Z1.1/4"-11.5	40	42	44	
1FN4-24-24	U2"-12	Z1.1/2"-11.5	42	47	48	

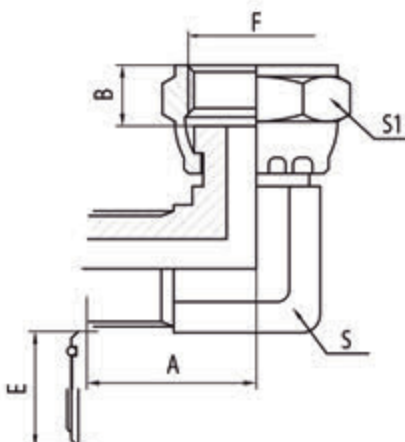
1FN9



90°ORFS MALE O-RING/NPT MALE

Part No.	Thread		Dimensions			
	E	F	A	B	S	
1FN9-04-02	U9/16"-18	Z1/8"-27	22	19	14	
1FN9-04-04	U9/16"-18	Z1/4"-18	25.5	25	14	
1FN9-06-04	U11/16"-16	Z1/4"-18	27.5	27	17	
1FN9-06-06	U11/16"-16	Z3/8"-18	27.5	27	17	
1FN9-06-08	U11/16"-16	Z1/2"-14	30	35	22	
1FN9-08-06	U13/16"-16	Z3/8"-18	32	30	22	
1FN9-08-08	U13/16"-16	Z1/2"-14	32	35	22	
1FN9-08-12	U13/16"-16	Z3/4"-14	38	41	27	
1FN9-10-08	U1"-14	Z1/2"-14	39	41	27	
1FN9-10-12	U1"-14	Z3/4"-14	39	41	27	
1FN9-12-08	U1.3/16"-12	Z1/2"-14	42	42	33	
1FN9-12-12	U1.3/16"-12	Z3/4"-14	42	42	33	
1FN9-16-16	U1.7/16"-12	Z1"-11.5	47	49	33	
1FN9-20-20	U1.11/16"-12	Z1.1/4"-11.5	52	55	44	
1FN9-24-24	U2"-12	Z1.1/2"-11.5	53	58	48	

2F9



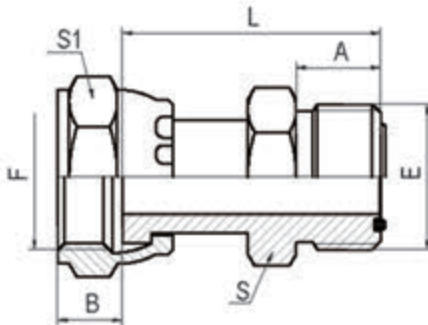
90°ORFS MALE O-RING/ORFS FEMALE

Part No.	Thread		Dimensions			
	E	F	A	B	S	S1
2F9-04-04	U9/16"-18	U9/16"-18	25.5	10	14	19
2F9-04-06	U9/16"-18	U9/16"-18	27.5	11	17	22
2F9-06-04	U11/16"-16	U9/16"-18	27.5	10	17	19
2F9-06-06	U11/16"-16	U11/16"-16	27.5	11	17	22
2F9-08-06	U13/16"-16	U11/16"-16	32	11	22	22
2F9-08-08	U13/16"-16	U13/16"-16	32	12	22	27
2F9-10-08	U1"-14	U13/16"-16	38	12	27	27
2F9-10-10	U1"-14	U1"-14	38	13.5	27	32
2F9-12-12	U1.3/16"-12	U1.3/16"-12	38	13.5	27	36
2F9-16-16	U1.7/16"-12	U1.7/16"-12	46	14.5	33	41
2F9-20-20	U1.11/16"-12	U1.11/16"-12	51	15.5	41	50
2F9-24-24	U2"-12	U2"-12	55	19.5	48	60

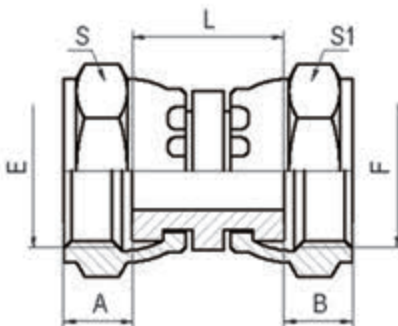
ORFS MALE O-RING / ORFS FEMALE

Part No.	Thread		Dimensions				
	E	F	A	B	L	S	S1
2F-04-04	U9/16"-18	U9/16"-18	14	10	38	17	19
2F-04-06	U9/16"-18	U11/16"-16	14	11	40	17	22
2F-06-04	U11/16"-16	U9/16"-18	14	10	38	19	19
2F-06-06	U11/16"-16	U11/16"-16	14	11	40	19	22
2F-06-08	U11/16"-16	U13/16"-16	14	12	41	19	27
2F-08-06	U13/16"-16	U11/16"-16	15	11	43	22	22
2F-08-08	U13/16"-16	U13/16"-16	15	12	44	22	27
2F-08-10	U13/16"-16	U1"-14	15	13.5	46	24	32
2F-10-08	U1"-14	U13/16"-16	16.5	12	46	27	27
2F-10-10	U1"-14	U1"-14	16.5	13.5	48	27	32
2F-10-12	U1"-14	U1.3/16"-12	16.5	13.5	52	30	36
2F-12-08	U1.3/16"-12	U13/16"-16	17.5	12	48	32	27
2F-12-10	U1.3/16"-12	U1"-14	17.5	13.5	50	32	32
2F-12-12	U1.3/16"-12	U1.3/16"-12	17.5	13.5	53	32	36
2F-12-16	U1.3/16"-12	U1.7/16"-12	17.5	14.5	55	36	41
2F-16-12	U1.7/16"-12	U1.3/16"-12	18.5	13.5	56	41	36
2F-16-16	U1.7/16"-12	U1.7/16"-12	18.5	14.5	57	41	41
2F-20-20	U1.11/16"-12	U1.11/16"-12	19.5	15.5	63	46	50
2F-24-24	U2"-12	U2"-12	19.5	19.5	69	55	60

2F



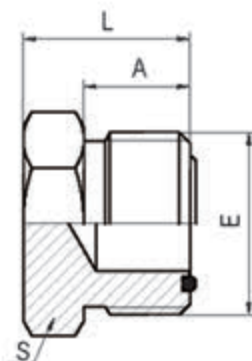
3F



ORFS FEMALE

Part No.	Thread		Dimensions				
	E	F	A	B	L	S	S1
3F-04-04	U9/16"-18	U9/16"-18	10	10	22	19	19
3F-06-06	U11/16"-16	U11/16"-16	11	11	24	22	22
3F-08-08	U13/16"-16	U13/16"-16	12	12	24	27	27
3F-10-10	U1"-14	U1"-14	13.5	13.5	26	32	32
3F-12-12	U1.3/16"-12	U1.3/16"-12	13.5	13.5	29	36	36
3F-16-16	U1.7/16"-12	U1.7/16"-12	14.5	14.5	32	41	41
3F-20-20	U1.11/16"-12	U1.11/16"-12	15.5	15.5	34	50	50
3F-24-24	U2"-12	U2"-12	19.5	19.5	35	60	60

4F

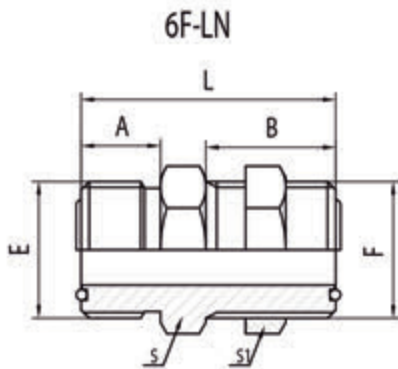


ORFS MALE O-RING PLUG

Part No.	Thread		Dimensions			
	E		A	L	S	
4F-04	U9/16"-18		14	20	17	
4F-06	U11/16"-16		14	20	19	
4F-08	U13/16"-16		15	23	22	
4F-10	U1"-14		16.5	25.5	27	
4F-12	U1.3/16"-12		17.5	27.5	32	
4F-16	U1.7/16"-12		18.5	30	41	
4F-20	U1.11/16"-12		19.5	33	46	
4F-24	U2"-12		19.5	35	55	



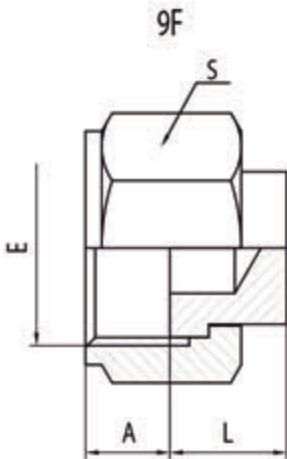
ORFS MALE O-RING BULKHEAD



Part No.	Thread		Dimensions				
	E	F	A	B	L	S	S1
6F-04 LN	U9/16"-18	U9/16"-18	14	31.5	53.5	22	22
6F-06 LN	U11/16"-16	U11/16"-16	14	34	56	27	27
6F-08 LN	U13/16"-16	U13/16"-16	15	36.5	60.5	30	30
6F-10 LN	U1"-14	U1"-14	16.5	40.6	68	36	36
6F-12 LN	U1.3/16"-12	U1.3/16"-12	17.5	41.7	71	41	41
6F-16 LN	U1.7/16"-12	U1.7/16"-12	18.5	42.2	74.5	46	46
6F-20 LN	U1.11/16"-12	U1.11/16"-12	19.5	42.2	76	50	50
6F-24 LN	U2"-12	U2"-12	19.5	42.2	77	60	60

Please delete "LN" after the part number if don't need with lock nut, for example "6F-16".

ORFS FEMALE PLUG



Part No.	Thread		Dimensions			
	E		A	L	S	
9F-04	U9/16"-18		9	14	19	
9F-06	U11/16"-16		8.5	16	22	
9F-08	U13/16"-16		11	16	27	
9F-10	U1"-14		13.5	18	30	
9F-12	U1.3/16"-12		13	18	36	
9F-16	U1.7/16"-12		15	20	41	
9F-20	U1.11/16"-12		15.5	23	50	
9F-24	U2"-12		19	25	60	

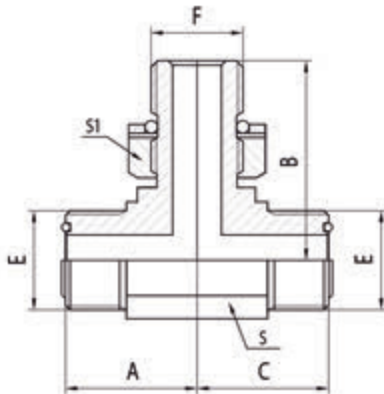
ORFS LOCK NUT



Part No.	Thread		Dimensions			
	E		L	S		
8F-04	U9/16"-18		7	22		
8F-06	U11/16"-16		8	27		
8F-08	U13/16"-16		9	30		
8F-10	U1"-14		10.5	36		
8F-12	U1.3/16"-12		10.5	41		
8F-16	U1.7/16"-12		10.5	46		
8F-20	U1.11/16"-12		10.5	50		
8F-24	U2"-12		10.5	60		

AFGF-OG

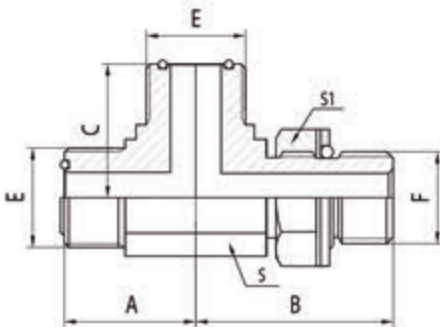
ORFS MALE O-RING/BSP MALE O-RING BRANCH TEE



Part No.	Thread		Dimensions				
	E	F	A	B	C	S	S1
AFGF-04-04-04 OG	U9/16"-18	G1/4"-19	25.5	32	25.5	14	19
AFGF-04-06-04 OG	U9/16"-18	G3/8"-19	28.5	35.5	28.5	19	22
AFGF-06-06-06 OG	U11/16"-16	G3/8"-19	28.5	35.5	28.5	19	22
AFGF-08-06-08 OG	U13/16"-16	G3/8"-19	32	37.5	32	22	22
AFGF-08-08-08 OG	U13/16"-16	G1/2"-14	32	44	32	22	27
AFGF-10-12-10 OG	U1"-14	G3/4"-14	38	49	38	27	32
AFGF-12-12-12 OG	U1.3/16"-12	G3/4"-14	39	49	39	27	32
AFGF-16-16-16 OG	U1.7/16"-12	G1"-11	45	55.5	45	33	41

AFFH-OG

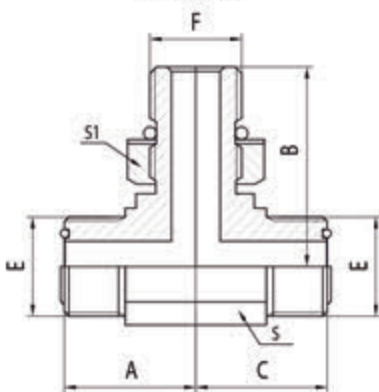
ORFS MALE O-RING/METRIC MALE ADJUSTABLE STUD AND RUN TEE



Part No.	Thread		Dimensions			
	E	F	A	B	S	S1
AFFH-04-04-14 OG	U9/16"-18	M14X1.5	25.5	34	14	19
AFFH-06-06-16 OG	U11/16"-16	M16X1.5	29	35	19	22
AFFH-08-08-22 OG	U13/16"-16	M22X1.5	32	42	22	30
AFFH-10-10-22 OG	U1"-14	M22X1.5	38	45	27	30
AFFH-12-12-27 OG	U1.3/16"-12	M27X2	38	50	27	36
AFFH-16-16-33 OG	U1.7/16"-12	M33X2	46	54	33	41

AFOF-OG

ORFS MALE O-RING/SAE MALE O-RING BRANCH TEE

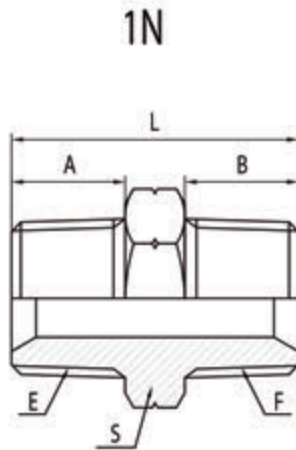


Part No.	Thread		Dimensions				
	E	F	A	B	C	S	S1
AFOF-04-04-04 OG	U9/16"-18	U7/16"-20	25.5	29	25.5	14	17
AFOF-06-06-06 OG	U11/16"-16	U9/16"-18	28.5	33	28.5	19	19
AFOF-08-08-08 OG	U13/16"-16	U3/4"-16	32	37.5	32	22	24
AFOF-10-10-10 OG	U1"-14	U7/8"-14	38	44	38	27	27
AFOF-12-12-12 OG	U1.3/16"-12	U1.1/16"-12	38	50	38	27	32
AFOF-16-16-16 OG	U1.7/16"-12	U1.5/16"-12	45	52	45	33	41
AFOF-20-20-20 OG	U1.11/16"-12	U1.5/8"-12	52	61	52	41	50

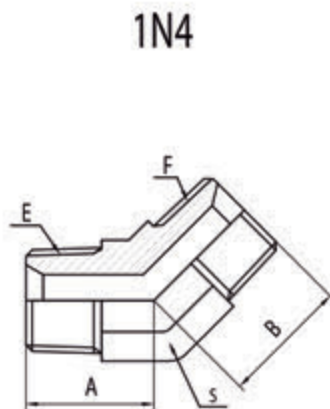
Please add "TO" after the part number if there is nowasher out of the O-ring on the product, for example "AFFH-06-06-16 OG/TO"



NPT MALE

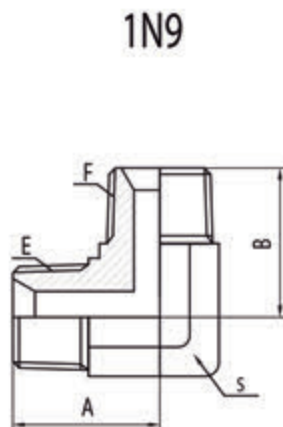


Part No.	Thread		Dimensions			
	E	F	A	B	L	S
1N-02-02	Z1/8"-27	Z1/8"-27	10	10	26	12
1N-04-04	Z1/4"-18	Z1/4"-18	14.5	14.5	34	14
1N-06-04	Z3/8"-18	Z1/4"-18	14.5	14.5	34	19
1N-06-06	Z3/8"-18	Z3/8"-18	14.5	14.5	34	19
1N-08-06	Z1/2"-14	Z3/8"-18	19.5	14.5	41.5	22
1N-08-08	Z1/2"-14	Z1/2"-14	19.5	19.5	46	22
1N-12-08	Z3/4"-14	Z1/2"-14	19.5	19.5	47	27
1N-12-12	Z3/4"-14	Z3/4"-14	19.5	19.5	48	27
1N-16-12	Z1"-11.5	Z3/4"-14	24.5	19.5	53	36
1N-16-16	Z1"-11.5	Z1"-11.5	24.5	24.5	58	36
1N-20-16	Z1.1/4"-11.5	Z1"-11.5	25	24.5	62	46
1N-20-20	Z1.1/4"-11.5	Z1.1/4"-11.5	25	25	63	46
1N-24-20	Z1.1/2"-11.5	Z1.1/4"-11.5	25	25	65	50
1N-24-24	Z1.1/2"-11.5	Z1.1/2"-11.5	25	25	65	50
1N-32-24	Z2"-11.5	Z1.1/2"-11.5	29	25	72	70
1N-32-32	Z2"-11.5	Z2"-11.5	29	29	76	70



45°NPT MALE

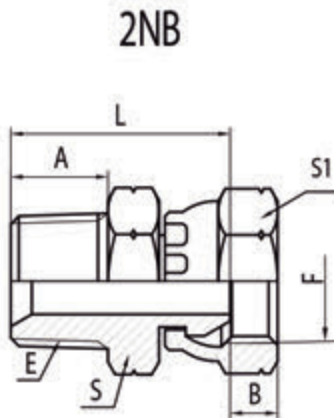
Part No.	Thread		Dimensions		
	E	F	A	B	S
1N4-02-02	Z1/8"-27	Z1/8"-27	17.5	17.5	11
1N4-04-04	Z1/4"-18	Z1/4"-18	21	21	14
1N4-06-06	Z3/8"-18	Z3/8"-18	21	21	17
1N4-08-08	Z1/2"-14	Z1/2"-14	28	28	22
1N4-12-12	Z3/4"-14	Z3/4"-14	32	32	27
1N4-16-16	Z1"-11.5	Z1"-11.5	37	37	33
1N4-20-20	Z1.1/4"-11.5	Z1.1/4"-11.5	42	42	44
1N4-24-24	Z1.1/2"-11.5	Z1.1/2"-11.5	47	47	48
1N4-32-32	Z2"-11.5	Z2"-11.5	53	53	65



90°NPT MALE

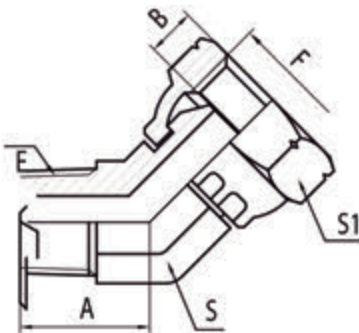
Part No.	Thread		Dimensions		
	E	F	A	B	S
1N9-02-02	Z1/8"-27	Z1/8"-27	22	22	11
1N9-04-02	Z1/4"-18	Z1/8"-27	27	25	14
1N9-04-04	Z1/4"-18	Z1/4"-18	27	27	14
1N9-06-04	Z3/8"-18	Z1/4"-18	28	28	17
1N9-06-06	Z3/8"-18	Z3/8"-18	28	28	17
1N9-08-06	Z1/2"-14	Z3/8"-18	35	30	22
1N9-08-08	Z1/2"-14	Z1/2"-14	35	35	22
1N9-12-08	Z3/4"-14	Z1/2"-14	39	39	27
1N9-12-12	Z3/4"-14	Z3/4"-14	39	39	27
1N9-16-12	Z1"-11.5	Z3/4"-14	47	42	33
1N9-16-16	Z1"-11.5	Z1"-11.5	47	47	33
1N9-20-20	Z1.1/4"-11.5	Z1.1/4"-11.5	55	55	41
1N9-24-24	Z1.1/2"-11.5	Z1.1/2"-11.5	59	59	48
1N9-32-32	Z2"-11.5	Z2"-11.5	69	69	65

NPT MALE/BSP FEMALE 60° CONE



Part No.	Thread		Dimensions				
	E	F	A	B	L	S	S1
2NB-02-02	Z1/8"-27	G1/8"-28	10	5.5	25.5	12	14
2NB-04-02	Z1/4"-18	G1/8"-28	14.5	5.5	30.5	14	14
2NB-04-04	Z1/4"-18	G1/4"-19	14.5	5.5	31.5	17	19
2NB-04-06	Z1/4"-18	G3/8"-19	14.5	6.5	32	19	22
2NB-06-06	Z3/8"-18	G3/8"-19	14.5	6.5	33	19	22
2NB-06-08	Z3/8"-18	G1/2"-14	14.5	8	33	19	27
2NB-08-04	Z1/2"-14	G1/4"-19	19.5	5.5	37	22	19
2NB-08-06	Z1/2"-14	G3/8"-19	19.5	6.5	38	22	22
2NB-08-08	Z1/2"-14	G1/2"-14	19.5	8	38.5	22	27
2NB-08-12	Z1/2"-14	G3/4"-14	19.5	11.5	42	27	32
2NB-12-08	Z3/4"-14	G1/2"-14	19.5	8	40	27	27
2NB-12-12	Z3/4"-14	G3/4"-14	19.5	11.5	43	27	32
2NB-16-12	Z1"-11.5	G3/4"-14	24.5	11.5	49.5	36	32
2NB-16-16	Z1"-11.5	G1"-11	24.5	11.5	51	36	41
2NB-20-20	Z1.1/4"-11.5	G1.1/4"-11	25	12	56	46	50
2NB-24-24	Z1.1/2"-11.5	G1.1/2"-11	25	13	61.5	50	55
2NB-32-32	Z2"-11.5	G2"-11	29	16	68	70	70

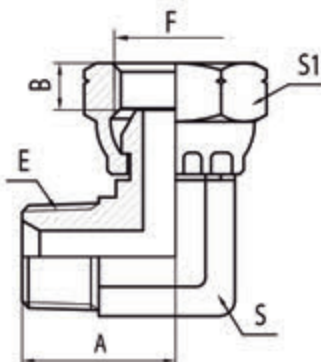
2NB4



45° NPT MALE/BSP FEMALE 60° CONE

Part No.	Thread		Dimensions			
	E	F	A	B	S	S1
2NB4-02-02	Z1/8"-27	G1/8"-28	18	5.5	11	14
2NB4-04-04	Z1/4"-18	G1/4"-19	22	5.5	14	19
2NB4-06-04	Z3/8"-18	G1/4"-19	22	5.5	17	19
2NB4-06-06	Z3/8"-18	G3/8"-19	22	6.5	17	22
2NB4-08-08	Z1/2"-14	G1/2"-14	28	8	22	27
2NB4-12-12	Z3/4"-14	G3/4"-14	31	11.5	27	32
2NB4-16-16	Z1"-11.5	G1"-11	38	11.5	33	41
2NB4-20-20	Z1.1/4"-11.5	G1.1/4"-11	42	12	44	50
2NB4-24-24	Z1.1/2"-11.5	G1.1/2"-11	47	13	50	55

2NB9

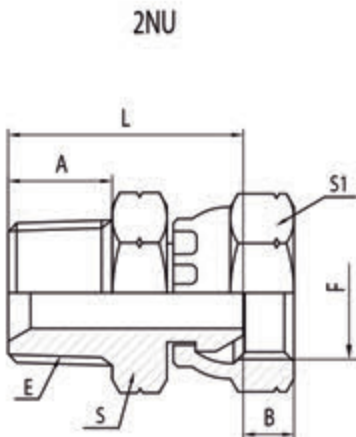


90° NPT MALE/BSP FEMALE 60° CONE

Part No.	Thread		Dimensions			
	E	F	A	B	S	S1
2NB9-02-02	Z1/8"-27	G1/8"-28	22	5.5	11	14
2NB9-04-06	Z1/4"-18	G3/8"-19	27	6.5	17	22
2NB9-04-04	Z1/4"-18	G1/4"-19	25	5.5	14	19
2NB9-06-04	Z3/8"-18	G1/4"-19	27	5.5	17	19
2NB9-06-08	Z3/8"-18	G1/2"-14	29	8	19	27
2NB9-06-06	Z3/8"-18	G3/8"-19	29	6.5	17	22
2NB9-08-06	Z1/2"-14	G3/8"-19	37	6.5	22	22
2NB9-08-08	Z1/2"-14	G1/2"-14	36	8	22	27
2NB9-12-08	Z3/4"-14	G1/2"-14	37	8	27	27
2NB9-12-12	Z3/4"-14	G3/4"-14	41	11.5	27	32
2NB9-16-16	Z1"-11.5	G1"-11	49	11.5	33	41
2NB9-20-20	Z1.1/4"-11.5	G1.1/4"-11	55.5	12	41	50
2NB9-24-24	Z1.1/2"-11.5	G1.1/2"-11	58	13	48	55

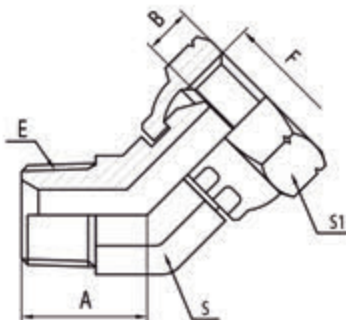


NPT MALE/NPSM FEMALE 60° CONE



Part No.	Thread		Dimensions				
	E	F	A	B	L	S	S1
2NU-02-02	Z1/8"-27	NPSM1/8"-27	10	5.5	25.5	12	14
2NU-02-04	Z1/8"-27	NPSM1/4"-18	10	5.5	26.5	12	19
2NU-04-02	Z1/4"-18	NPSM1/8"-27	14.5	5.5	30.5	14	14
2NU-04-04	Z1/4"-18	NPSM1/4"-18	14.5	5.5	31.5	17	19
2NU-04-06	Z1/4"-18	NPSM3/8"-18	14.5	8	32	19	22
2NU-04-08	Z1/4"-18	NPSM1/2"-14	14.5	9.5	33	19	27
2NU-06-06	Z3/8"-18	NPSM3/8"-18	14.5	8	33	19	22
2NU-06-08	Z3/8"-18	NPSM1/2"-14	14.5	9.5	33	19	27
2NU-08-04	Z1/2"-14	NPSM1/4"-18	19.5	5.5	37	22	19
2NU-08-06	Z1/2"-14	NPSM3/8"-18	19.5	8	38	22	22
2NU-08-08	Z1/2"-14	NPSM1/2"-14	19.5	9.5	38.5	22	27
2NU-08-12	Z1/2"-14	NPSM3/4"-14	19.5	11.5	42	27	32
2NU-12-08	Z3/4"-14	NPSM1/2"-14	19.5	9.5	40	27	27
2NU-12-12	Z3/4"-14	NPSM3/4"-14	19.5	11.5	43	27	32
2NU-12-16	Z3/4"-14	NPSM1"-11.5	19.5	11.5	45	32	41
2NU-16-12	Z1"-11.5	NPSM3/4"-14	24.5	11.5	49.5	36	32
2NU-16-16	Z1"-11.5	NPSM1"-11.5	24.5	11.5	51	36	41
2NU-16-20	Z1"-11.5	NPSM1.1/4"-11.5	24.5	12	56	41	50
2NU-20-20	Z1.1/4"-11.5	NPSM1.1/4"-11.5	25	12	56	46	50
2NU-24-24	Z1.1/2"-11.5	NPSM1.1/2"-11.5	25	12.5	59.5	50	55
2NU-32-32	Z2"-11.5	NPSM2"-11.5	29	13	68	70	70

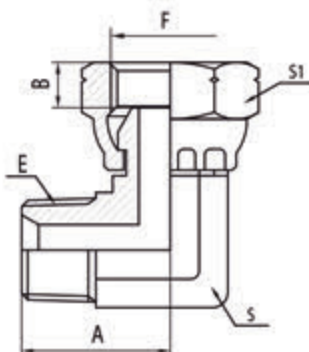
2NU4



45° NPT MALE/NPSM FEMALE 60° CONE

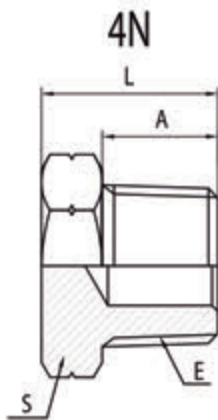
Part No.	Thread		Dimensions			
	E	F	A	B	S	S1
2NU4-04-04	Z1/4"-18	NPSM1/4"-18	22	5.5	14	19
2NU4-04-06	Z1/4"-18	NPSM3/8"-18	22	8	17	22
2NU4-06-06	Z3/8"-18	NPSM3/8"-18	22	8	17	22
2NU4-06-08	Z3/8"-18	NPSM1/2"-14	24	9.5	19	27
2NU4-08-08	Z1/2"-14	NPSM1/2"-14	28	9.5	22	27
2NU4-12-12	Z3/4"-14	NPSM3/4"-14	31	11.5	27	32
2NU4-16-16	Z1"-11.5	NPSM1"-11.5	38	11.5	33	41
2NU4-20-20	Z1.1/4"-11.5	NPSM1.1/4"-11.5	42	12	44	50
2NU4-24-24	Z1.1/2"-11.5	NPSM1.1/2"-11.5	47	12.5	50	55

2NU9



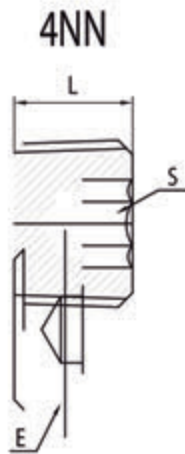
90° NPT MALE/NPSM FEMALE 60° CONE

Part No.	Thread		Dimensions			
	E	F	A	B	S	S1
2NU9-02-02	Z1/8"-27	NPSM1/8"-27	22	5.5	11	14
2NU9-04-04	Z1/4"-18	NPSM1/4"-18	25	5.5	14	19
2NU9-06-04	Z3/8"-18	NPSM1/4"-18	27	5.5	17	19
2NU9-06-08	Z3/8"-18	NPSM1/2"-14	29	9.5	19	27
2NU9-06-06	Z3/8"-18	NPSM3/8"-18	29	8	17	22
2NU9-08-08	Z1/2"-14	NPSM1/2"-14	36	9.5	22	27
2NU9-12-12	Z3/4"-14	NPSM3/4"-14	41	11.5	27	32
2NU9-16-16	Z1"-11.5	NPSM1"-11.5	49	11.5	33	41
2NU9-20-20	Z1.1/4"-11.5	NPSM1.1/4"-11.5	55.5	12	41	50
2NU9-24-24	Z1.1/2"-11.5	NPSM1.1/2"-11.5	58	12.5	48	55



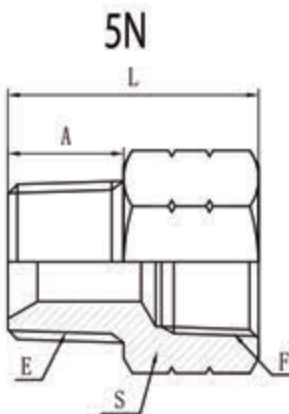
NPT MALE PLUG

Part No.	Thread		Dimensions		
	E		A	L	S
4N-02	Z1/8"-27		10	16	12
4N-04	Z1/4"-18		14.5	20	14
4N-06	Z3/8"-18		14.5	21	19
4N-08	Z1/2"-14		19.5	27	22
4N-12	Z3/4"-14		19.5	29	27
4N-16	Z1"-11.5		24.5	36	36
4N-20	Z1.1/4"-11.5		25	38	46
4N-24	Z1.1/2"-11.5		25	40	50
4N-32	Z2"-11.5		29	46	65



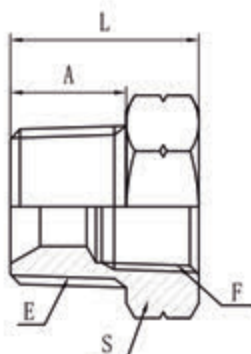
NPT MALE HOLLOW HEX PLUG

Part No.	Thread		Dimensions			
	E			L	S	
4NN-02	Z1/8"-27			8	5	
4NN-04	Z1/4"-18			10	6	
4NN-06	Z3/8"-18			12	8	
4NN-08	Z1/2"-14			15	10	
4NN-12	Z3/4"-14			18	12	
4NN-16	Z1"-11.5			20	17	
4NN-20	Z1.1/4"-11.5			22	22	



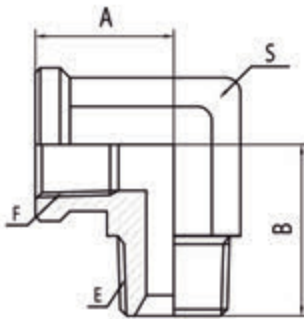
NPT MALE/FEMALE

Part No.	Thread		Dimensions		
	E	F	A	L	S
5N-02-04	Z1/8"-27	Z1/4"-18	10	28	19
5N-04-02	Z1/4"-18	Z1/8"-27	14.5	20	17
5N-04-04	Z1/4"-18	Z1/4"-18	14.5	32	19
5N-04-06	Z1/4"-18	Z3/8"-18	14.5	34	22
5N-06-04	Z3/8"-18	Z1/4"-18	14.5	21	19
5N-06-06	Z3/8"-18	Z3/8"-18	14.5	34	22
5N-06-08	Z3/8"-18	Z1/2"-14	14.5	40	27
5N-08-04	Z1/2"-14	Z1/4"-18	19.5	27	24
5N-08-06	Z1/2"-14	Z3/8"-18	19.5	27	24
5N-08-08	Z1/2"-14	Z1/2"-14	19.5	46	27
5N-12-08	Z3/4"-14	Z1/2"-14	19.5	29	27
5N-12-12	Z3/4"-14	Z3/4"-14	19.5	49	36
5N-16-12	Z1"-11.5	Z3/4"-14	24.5	34	36
5N-16-16	Z1"-11.5	Z1"-11.5	24.5	58	41
5N-20-16	Z1.1/4"-11.5	Z1"-11.5	25	38	46
5N-20-20	Z1.1/4"-11.5	Z1.1/4"-11.5	25	59	50
5N-24-20	Z1.1/2"-11.5	Z1.1/4"-11.5	25	42	50
5N-24-24	Z1.1/2"-11.5	Z1.1/2"-11.5	25	59	65
5N-32-24	Z2"-11.5	Z1.1/2"-11.5	29	47	65
5N-32-32	Z2"-11.5	Z2"-11.5	29	63	70





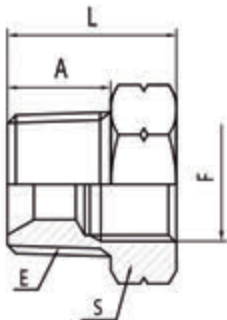
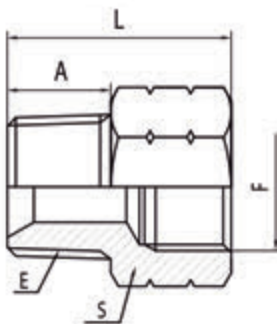
5N9



90°NPT MALE/FEMALE

Part No.	Thread		Dimensions		
	E	F	A	B	S
5N9-02-02	Z1/8"-27	Z1/8"-27	17	23	14
5N9-04-04	Z1/4"-18	Z1/4"-18	22	28	19
5N9-06-06	Z3/8"-18	Z3/8"-18	25	30	22
5N9-08-08	Z1/2"-14	Z1/2"-14	30	36	27
5N9-12-12	Z3/4"-14	Z3/4"-14	33	41	33
5N9-16-16	Z1"-11.5	Z1"-11.5	39	50	41
5N9-20-20	Z1.1/4"-11.5	Z1.1/4"-11.5	48	58	48
5N9-24-24	Z1.1/2"-11.5	Z1.1/2"-11.5	57	67	65

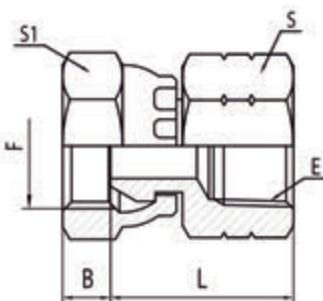
5NB



NPT MALE/BSP FEMALE

Part No.	Thread		Dimensions		
	E	F	A	L	S
5NB-02-04	Z1/8"-27	G1/4"-19	10	28	19
5NB-04-02	Z1/4"-18	G1/8"-28	14.5	20	17
5NB-04-04	Z1/4"-18	G1/4"-19	14.5	32	19
5NB-04-06	Z1/4"-18	G3/8"-19	14.5	34	22
5NB-04-08	Z1/4"-18	G1/2"-14	14.5	39	27
5NB-06-04	Z3/8"-18	G1/4"-19	14.5	21	19
5NB-06-06	Z3/8"-18	G3/8"-19	14.5	34	22
5NB-06-08	Z3/8"-18	G1/2"-14	14.5	40	27
5NB-08-04	Z1/2"-14	G1/4"-19	19.5	28	22
5NB-08-06	Z1/2"-14	G3/8"-19	19.5	28	22
5NB-08-08	Z1/2"-14	G1/2"-14	19.5	45	27
5NB-08-12	Z1/2"-14	G3/4"-14	19.5	43	32
5NB-08-16	Z1/2"-14	G1"-11	19.5	54	41
5NB-12-06	Z3/4"-14	G3/8"-19	19.5	29	27
5NB-12-08	Z3/4"-14	G1/2"-14	19.5	29	27
5NB-12-12	Z3/4"-14	G3/4"-14	19.5	49	36
5NB-12-16	Z3/4"-14	G1"-11	19.5	54	41
5NB-16-08	Z1"-11.5	G1/2"-14	24.5	34	36
5NB-16-12	Z1"-11.5	G3/4"-14	24.5	34	36

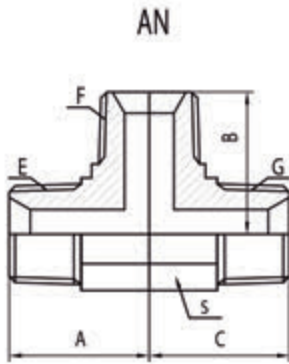
7NB



NPT FEMALE/BSP FEMALE 60° CONE

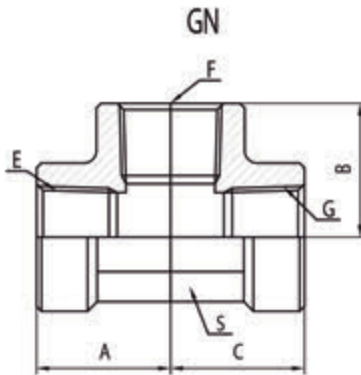
Part No.	Thread		Dimensions			
	E	F	B	L	S	S1
7NB-02-02	Z1/8"-27	G1/8"-28	5.5	25	14	14
7NB-04-04	Z1/4"-18	G1/4"-19	5.5	28	19	19
7NB-06-06	Z3/8"-18	G3/8"-19	6.5	31.5	22	22
7NB-08-08	Z1/2"-14	G1/2"-14	8	34	27	27
7NB-12-12	Z3/4"-14	G3/4"-14	11.5	43.5	36	32
7NB-16-16	Z1"-11.5	G1"-11	11.5	50	41	41

NPT MALE TEE



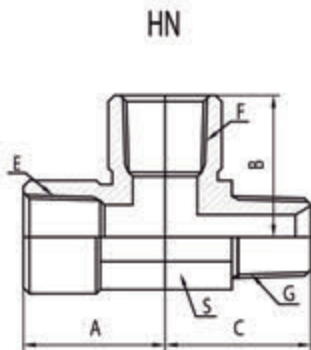
Part No.	Thread		Dimensions			
	E	F	A	B	C	S
AN-02	Z1/8"	-27	21	21	21	11
AN-04	Z1/4"	-18	25.5	25.5	25.5	14
AN-06	Z3/8"	-18	29	29	29	17
AN-08	Z1/2"	-14	35	35	35	22
AN-12	Z3/4"	-14	40	40	40	27
AN-16	Z1"	-11.5	46	46	46	33
AN-20	Z1.1/4"	-11.5	55.5	55.5	55.5	44
AN-24	Z1.1/2"	-11.5	59	59	59	48

NPT FEMALE TEE



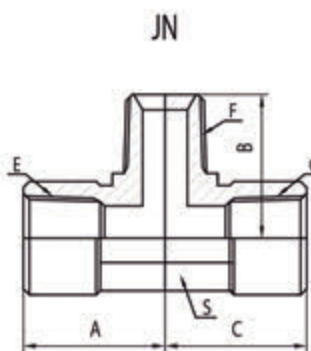
Part No.	Thread		Dimensions			
	E	F	A	B	C	S
GN-02	Z1/8"	-27	17	17	17	14
GN-04	Z1/4"	-18	21	21	21	17
GN-06	Z3/8"	-18	25	25	25	22
GN-08	Z1/2"	-14	29	29	29	26
GN-12	Z3/4"	-14	33.5	33.5	33.5	34
GN-16	Z1"	-11.5	40	40	40	41
GN-20	Z1.1/4"	-11.5	52.5	52.5	52.5	54
GN-24	Z1.1/2"	-11.5	50	50	50	56
GN-32	Z2"	-11.5	61	61	61	68

NPT FEMALE/FEMALE/MALE RUN TEE



Part No.	Thread		Dimensions			
	E	F	A	B	C	S
HN-02	Z1/8"	-27	17	17	23	14
HN-04	Z1/4"	-18	22	22	30	19
HN-06	Z3/8"	-18	25	25	31	22
HN-08	Z1/2"	-14	30	30	39	27
HN-12	Z3/4"	-14	34	34	43	33
HN-16	Z1"	-11.5	41	41	51	41

NPT FEMALE/NPT MALE BRANCH TEE



Part No.	Thread		Dimensions			
	E	F	A	B	C	S
JN-02	Z1/8"	-27	17	17	23	14
JN-04	Z1/4"	-18	22	22	30	19
JN-06	Z3/8"	-18	25	25	31	22
JN-08	Z1/2"	-14	30	30	39	27
JN-12	Z3/4"	-14	34	34	43	33
JN-16	Z1"	-11.5	41	41	51	41

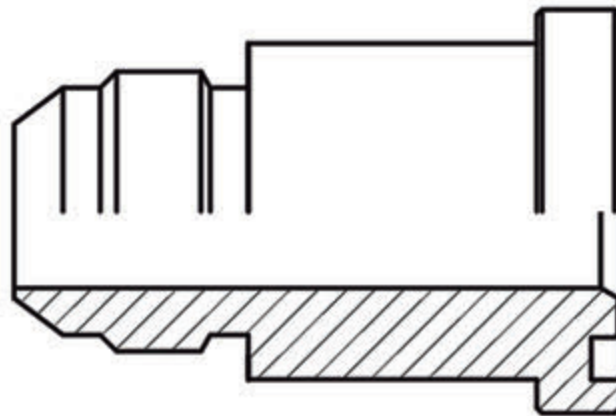
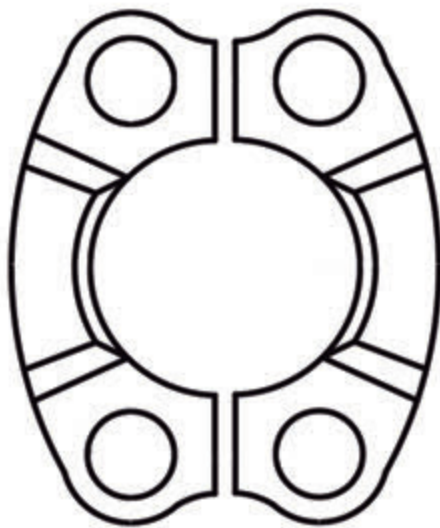
AF AXXION FLEX



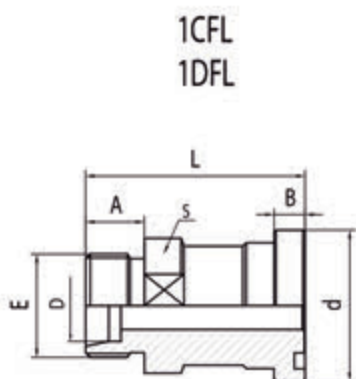




G. FLANGE ADAPTERS



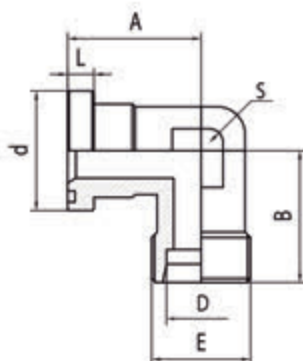
METRIC MALE 24°/L-SERIES FLANGE



Part No.	Thread	FLANGE SIZE	TUBE O.D	Dimensions						MPa
				A	B	L	d	S	S1	
1CFL-22-08	M22X1.5	1/2"	15	12.5	7	48	30.2	24	27	31.5
1CFL-26-12	M26X1.5	3/4"	18	12.5	7	53	38.1	30	32	
1CFL-30-12	M30X2	3/4"	22	14	7	53	38.1	32	36	
1CFL-36-16	M36X2	1"	28	14	8.2	54	44.4	38	41	16
1CFL-45-20	M45X2	1.1/4"	35	16	8.2	58	50.8	41	50	
1CFL-52-24	M52X2	1.1/2"	42	16	8.2	64	60.3	46	60	
1DFL-24-08	M24X1.5	1/2"	16	14	8.2	50	30.2	24	30	35
1DFL-30-12	M30X2	3/4"	20	16	7	57	38.1	30	36	
1DFL-36-12	M36X2	3/4"	25	18	7	57	38.1	30	46	
1DFL-42-16	M42X2	1"	30	20	8.2	63	44.4	36	50	
1DFL-36-20	M36X2	1.1/4"	25	18	8.2	60	50.8	41	46	28
1DFL-42-20	M42X2	1.1/4"	30	20	8.2	62	50.8	41	50	
1DFL-52-24	M52X2	1.1/2"	38	22	8.2	70	60.3	46	60	21

90°METRIC MALE 24°/L-SERIES FLANGE

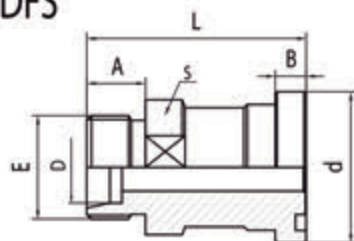
1CFL9
1DFL9



Part No.	Thread	FLANGE SIZE	TUBE O.D	Dimensions						MPa
				A	B	L	d	S	S1	
1CFL9-22-08	M22X1.5	1/2"	15	36	36	7	30.2	24	27	31.5
1CFL9-26-12	M26X1.5	3/4"	18	42	39	7	38.1	30	32	
1CFL9-30-12	M30X2	3/4"	22	42	41	7	38.1	30	36	
1CFL9-36-16	M36X2	1"	28	45	44	8.2	44.4	36	41	16
1CFL9-45-20	M45X2	1.1/4"	35	50	57	8.2	50.8	41	50	
1CFL9-52-24	M52X2	1.1/2"	42	55	58	8.2	60.3	50	60	
1DFL9-24-08	M24X1.5	1/2"	16	36	38	8.2	30.2	24	30	35
1DFL9-30-12	M30X2	3/4"	20	42	43	7	38.1	30	36	
1DFL9-36-12	M36X2	3/4"	25	42	45	7	38.1	30	46	
1DFL9-42-16	M42X2	1"	30	45	50	8.2	44.4	36	50	
1DFL9-36-20	M36X2	1.1/4"	25	50	56	8.2	50.8	46	46	28
1DFL9-42-20	M42X2	1.1/4"	30	50	57	8.2	50.8	41	50	
1DFL9-52-24	M52X2	1.1/2"	38	55	64	8.2	60.3	50	60	21

METRIC MALE 24°/S-SERIES FLANGE

1DFS

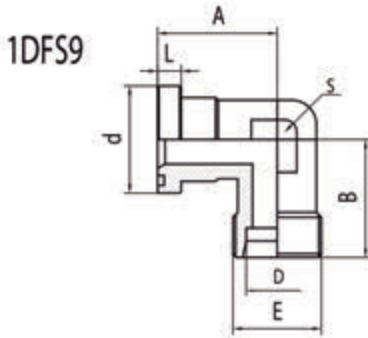


Part No.	Thread	FLANGE SIZE	TUBE O.D	Dimensions						MPa
				A	B	L	d	S	S1	
1DFS-24-08	M24X1.5	1/2"	16	14	7.9	53	31.7	24	30	40
1DFS-24-12	M24X1.5	3/4"	16	14	8.9	59	41.3	27	30	
1DFS-30-12	M30X2	3/4"	20	16	8.9	61	41.3	30	36	
1DFS-36-12	M36X2	3/4"	25	18	8.9	63	41.3	30	46	
1DFS-36-16	M36X2	1"	25	18	9.6	72	47.6	36	46	
1DFS-42-16	M42X2	1"	30	20	9.6	74	47.6	36	50	
1DFS-52-20	M52X2	1.1/4"	38	22	10.4	83	54	46	60	31.5
1DFS-52-24	M52X2	1.1/2"	38	22	12.7	90	63.5	46	60	

Please add T after the item number if you need to order one set with flange clamp, O-ring and bolts, such as "1CFL9-36-16 T"



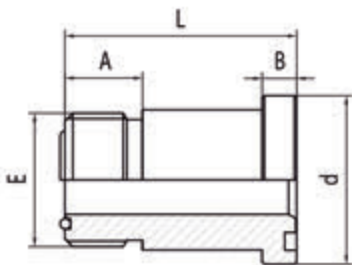
90°METRIC MALE 24°/S-SERIES FLANGE



Part No.	Thread	FLANGE SIZE	TUBE O.D	Dimensions						MPa
				A	B	L	d	S	S1	
1DFS9-24-08	M24X1.5	1/2"	16	39	38	7.9	31.7	24	30	40
1DFS9-24-12	M24X1.5	3/4"	16	48	45	8.9	41.3	32	30	
1DFS9-30-12	M30X2	3/4"	20	48	46	8.9	41.3	32	36	
1DFS9-36-12	M36X2	3/4"	25	48	48	8.9	41.3	32	46	
1DFS9-36-16	M36X2	1"	25	60	53	9.6	47.6	41	46	
1DFS9-42-16	M42X2	1"	30	60	55	9.6	47.6	41	50	
1DFS9-42-20	M42X2	1.1/4"	30	68	58	10.4	54	46	50	
1DFS9-52-20	M52X2	1.1/4"	38	68	61	10.4	54	46	60	31.5
1DFS9-52-24	M52X2	1.1/2"	38	76	72	12.7	63.5	50	60	

ORFS MALE O-RING/FLANGE

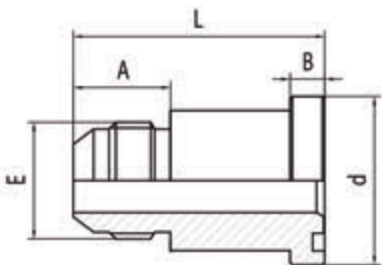
1FFL 1FFS



Part No.	Thread	FLANGE SIZE	Dimensions			
			A	B	L	d
1FFL-12	1.3/16"-12	3/4"	17.5	7	45.7	38.1
1FFL-16	1.7/16"-12	1"	18.5	8.2	47.8	44.4
1FFL-20	1.11/16"-12	1.1/4"	19.5	8.2	47	50.8
1FFL-24	2"-12	1.1/2"	19.5	8.2	49.5	60.3
1FFS-12	1.3/16"-12	3/4"	17.5	8.9	51.8	41.3
1FFS-16	1.7/16"-12	1"	18.5	9.6	57.2	47.6
1FFS-20	1.11/16"-12	1.1/4"	19.5	10.4	62	54
1FFS-24	2"-12	1.1/2"	19.5	12.7	66.8	63.5

JIC MALE 74° CONE/L-SERIES FLANGE

1JFL

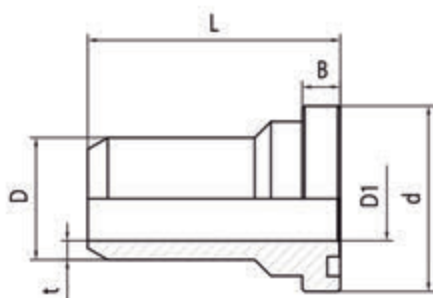


Part No.	Thread	FLANGE SIZE	Dimensions			
			A	B	L	d
1JFL-08	3/4"-16	1/2"	16.7	7	43.5	30.2
1JFL-08-12	3/4"-16	3/4"	16.7	7	45.4	38.1
1JFL-10-08	7/8"-14	1/2"	19.3	7	48	30.2
1JFL-10-12	7/8"-14	3/4"	19.3	7	48	38.1
1JFL-12-08	1.1/16"-12	1/2"	21.9	7	49	30.2
1JFL-12	1.1/16"-12	3/4"	21.9	7	50.5	38.1
1JFL-12-16	1.1/16"-12	1"	21.9	8.2	52.2	44.4
1JFL-16-12	1.5/16"-12	3/4"	23.1	7	52	38.1
1JFL-16	1.5/16"-12	1"	23.1	8.2	53.4	44.4
1JFL-16-20	1.5/16"-12	1.1/4"	23.1	8.2	52.2	50.8
1JFL-20-16	1.5/8"-12	1"	24.3	8.2	54.5	44.4
1JFL-20	1.5/8"-12	1.1/4"	24.3	8.2	53.1	50.8
1JFL-24	1.7/8"-12	1.1/2"	27.5	8.2	59.2	60.3
1JFL-32	2.1/2"-12	2"	33.9	9.8	66.3	71.4

Please add T after the item number if you need to order one set with flange clamp, O-ring and bolts, such as *1JFL-12T*

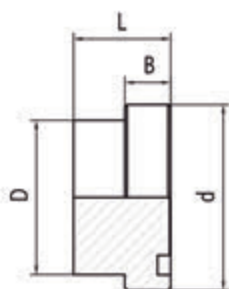
L-SERIES FLANGE O-RING/BUTT-WELD TUBE

1FLW



Part No.	FLANGE SIZE	Dimensions						MPa
		D	D1	t	d	B	L	
1FLW-08-15X2	1/2"	15	11	2	30.2	7	45	34.5
1FLW-08-16X3	1/2"	16	10	3	30.2	7	45	
1FLW-08-22X4.5	1/2"	22	13	4.5	30.2	7	45	
1FLW-12-18X1.5	3/4"	18	15	1.5	38.1	7	50	
1FLW-12-22X2	3/4"	22	18	2	38.1	7	50	
1FLW-12-20X3	3/4"	20	14	3	38.1	7	50	
1FLW-12-25X4	3/4"	25	17	4	38.1	7	50	
1FLW-12-28X4.5	3/4"	28	19	4.5	38.1	7	50	
1FLW-16-20X2.5	1"	20	15	2.5	44.4	8.2	55	
1FLW-16-28X2	1"	28	24	2	44.4	8.2	55	
1FLW-16-30X4.5	1"	30	21	4.5	44.4	8.2	55	
1FLW-16-35X5	1"	35	25	5	44.4	8.2	55	
1FLW-20-35X2	1.1/4"	35	31	2	50.8	8.2	60	27.6
1FLW-20-25X3	1.1/4"	25	19	3	50.8	8.2	60	
1FLW-20-30X4	1.1/4"	30	22	4	50.8	8.2	60	
1FLW-20-38X5	1.1/4"	38	28	5	50.8	8.2	60	
1FLW-20-43X6	1.1/4"	43	31	6	50.8	8.2	60	
1FLW-24-42X3	1.1/2"	42	36	3	60.3	8.2	65	20.7
1FLW-24-38X4	1.1/2"	38	30	4	60.3	8.2	65	
1FLW-24-50X6	1.1/2"	50	38	6	60.3	8.2	65	
1FLW-32-50X6	2"	50	38	6	71.4	9.8	70	
1FLW-32-62X7.5	2"	62	47	7.5	71.4	9.8	70	
1FLW-32-65X8	2"	65	49	8	71.4	9.8	70	
1FLW-40-74X5.5	2.1/2"	74	63	5.5	84.1	9.8	75	17.2
1FLW-48-90X10	3"	90	70	10	101.6	9.6	85	13.8
1FLW-56-102X7	3.1/2"	102	88	7	114.3	11.2	90	3.4
1FLW-64-115X8.5	4"	114	98	8	127	11.2	100	
1FLW-80-140X10	5"	140	120	10	152.4	11.2	100	

4FL



L-SERIES FLANGE O-RING PLUG

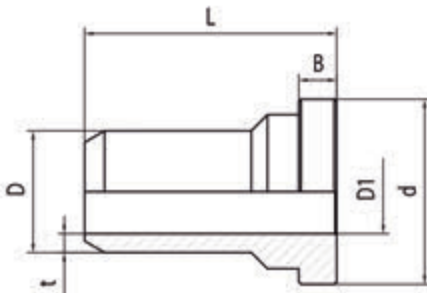
Part No.	FLANGE SIZE	Dimensions				MPa
		D	d	B	L	
4FL-08	1/2"	24	30.2	7	16	34.5
4FL-12	3/4"	31.5	38.1	7	17	
4FL-16	1"	38	44.4	8.2	17	
4FL-20	1.1/4"	43	50.8	8.2	17	27.6
4FL-24	1.1/2"	50	60.3	8.2	19	20.7
4FL-32	2"	62	71.4	9.8	19	
4FL-40	2.1/2"	74	84.1	9.8	40	17.2
4FL-48	3"	90	101.6	9.6	45	13.8

Please add T after the item number if you need to order one set with flange clamp, O-ring and bolts, such as "1FLW-20-30X4 T"



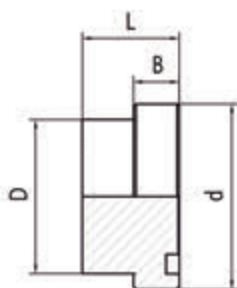
L-SERIES FLANGE/BUTT-WELD TUBE

1FLW-M



Part No.	FLANGE SIZE	Dimensions						MPa
		D	D1	t	d	B	L	
1FLW-08-15X2M	1/2"	15	11	2	30.2	7	45	34.5
1FLW-08-16X3M	1/2"	16	10	3	30.2	7	45	
1FLW-08-22X4.5M	1/2"	22	13	4.5	30.2	7	45	
1FLW-12-18X1.5M	3/4"	18	15	1.5	38.1	7	50	
1FLW-12-22X2M	3/4"	22	18	2	38.1	7	50	
1FLW-12-20X3M	3/4"	20	14	3	38.1	7	50	
1FLW-12-25X4M	3/4"	25	17	4	38.1	7	50	
1FLW-12-28X4.5M	3/4"	28	19	4.5	38.1	7	50	
1FLW-16-20X2.5M	1"	20	15	2.5	44.4	8.2	55	
1FLW-16-28X2M	1"	28	24	2	44.4	8.2	55	
1FLW-16-30X4.5M	1"	30	21	4.5	44.4	8.2	55	
1FLW-16-35X5M	1"	35	25	5	44.4	8.2	55	
1FLW-20-35X2M	1.1/4"	35	31	2	50.8	8.2	60	27.6
1FLW-20-25X3M	1.1/4"	25	19	3	50.8	8.2	60	
1FLW-20-30X4M	1.1/4"	30	22	4	50.8	8.2	60	
1FLW-20-38X5M	1.1/4"	38	28	5	50.8	8.2	60	
1FLW-20-43X6M	1.1/4"	43	31	6	50.8	8.2	60	
1FLW-24-42X3M	1.1/2"	42	36	3	60.3	8.2	65	20.7
1FLW-24-38X4M	1.1/2"	38	30	4	60.3	8.2	65	
1FLW-24-50X6M	1.1/2"	50	38	6	60.3	8.2	65	
1FLW-32-50X6M	2"	50	38	6	71.4	9.8	70	
1FLW-32-62X7.5M	2"	62	47	7.5	71.4	9.8	70	
1FLW-32-65X8M	2"	65	49	8	71.4	9.8	70	
1FLW-40-74X5.5M	2.1/2"	74	63	5.5	84.1	9.8	75	17.2
1FLW-48-90X10M	3"	90	70	10	101.6	9.6	85	13.8
1FLW-56-102X7M	3.1/2"	102	88	7	114.3	11.2	90	3.4
1FLW-64-115X8.5M	4"	114	98	8	127	11.2	100	
1FLW-80-140X10M	5"	140	120	10	152.4	11.2	100	

4FS

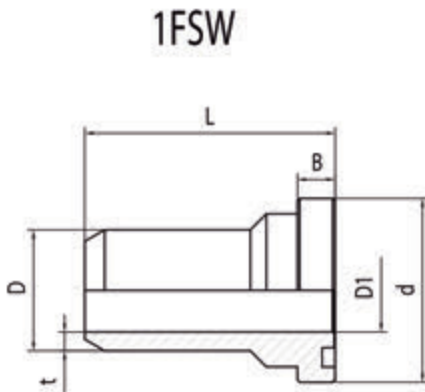


S-SERIES FLANGE O-RING PLUG

Part No.	FLANGE SIZE	Dimensions				MPa
		D	d	B	L	
4FS-08	1/2"	24	31.7	7.9	18	42
4FS-12	3/4"	32	41.3	8.9	18	
4FS-16	1"	38	47.6	9.6	18	
4FS-20	1.1/4"	44	54	10.4	18	
4FS-24	1.1/2"	51	63.5	12.7	20	
4FS-32	2"	67	79.4	12.7	30	

Please add T after the item number if you need to order one set with flange clamp, O-ring and bolts, such as "4FS-12 T"

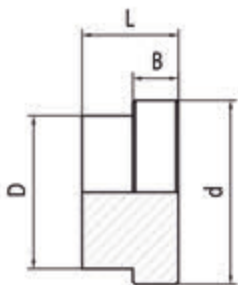
S-SERIES FLANGE O-RING/BUTT-WELD TUBE



Part No.	FLANGE SIZE	Dimensions						MPa
		D	D1	t	d	B	L	
1FSW-08-16X3	1/2"	16	10	3	31.7	7.9	45	42
1FSW-08-22X4.5	1/2"	22	13	4.5	31.7	7.9	45	
1FSW-12-16X3	3/4"	16	10	3	41.3	8.9	50	
1FSW-12-20X4	3/4"	20	12	4	41.3	8.9	50	
1FSW-12-28X5	3/4"	28	18	5	41.3	8.9	50	
1FSW-12-25X5	3/4"	25	15	5	41.3	8.9	50	
1FSW-16-25X5	1"	25	15	5	47.6	9.6	55	
1FSW-16-30X4	1"	30	22	4	47.6	9.6	55	
1FSW-16-30X6	1"	30	18	6	47.6	9.6	67	
1FSW-16-35X6.5	1"	35	22	6.5	47.6	9.6	55	
1FSW-20-30X4	1.1/4"	30	22	4	54	10.4	60	
1FSW-20-30X6	1.1/4"	30	18	6	54	10.4	60	
1FSW-20-38X5	1.1/4"	38	28	5	54	10.4	60	
1FSW-20-38X8	1.1/4"	38	22	8	54	10.4	60	
1FSW-20-44X7.5	1.1/4"	44	29	7.5	54	10.4	60	
1FSW-24-38X5	1.1/2"	38	28	5	63.5	12.7	65	
1FSW-24-38X8	1.1/2"	38	22	8	63.5	12.7	65	
1FSW-24-51X8	1.1/2"	51	35	8	63.5	12.7	65	
1FSW-32-50X9	2"	50	32	9	79.4	12.7	70	
1FSW-32-65X8	2"	65	49	8	79.4	12.7	70	
1FSW-32-61X9	2"	61	43	9	79.4	12.7	70	
1FSW-40-74X14.5	2.1/2"	74	45	14.5	107.8	20.6	90	
1FSW-48-90X16	3"	90	58	16	131.7	25.6	110	

Please add T after the item number if you need to order one set with flange clamp, O-ring and bolts, such as "1FSW-20-30X4T"

4FL-M



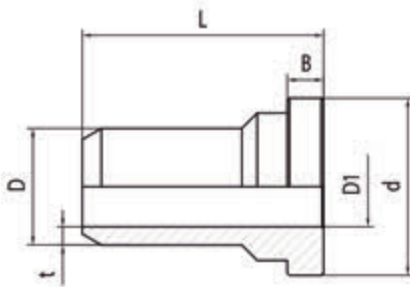
L-SERIES FLANGE PLUG

Part No.	FLANGE SIZE	Dimensions				MPa
		D	d	B	L	
4FL-08M	1/2"	24	30.2	7	16	34.5
4FL-12M	3/4"	31.5	38.1	7	17	
4FL-16M	1"	38	44.4	8.2	17	
4FL-20M	1.1/4"	43	50.8	8.2	17	27.6
4FL-24M	1.1/2"	50	60.3	8.2	19	20.7
4FL-32M	2"	62	71.4	9.8	19	
4FL-40M	2.1/2"	74	84.1	9.8	40	17.2
4FL-48M	3"	90	101.6	9.6	45	13.8



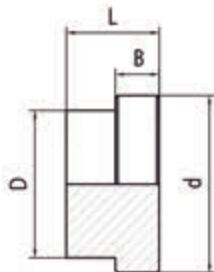
S-SERIES FLANGE/BUTT-WELD TUBE

1FSW-M



Part No.	FLANGE SIZE	Dimensions						MPa
		D	D1	t	d	B	L	
1FSW-08-16X3M	1/2"	16	10	3	31.7	7.9	45	42
1FSW-08-22X4.5M	1/2"	22	13	4.5	31.7	7.9	45	
1FSW-12-16X3M	3/4"	16	10	3	41.3	8.9	50	
1FSW-12-20X4M	3/4"	20	12	4	41.3	8.9	50	
1FSW-12-25X5M	3/4"	25	15	5	41.3	8.9	50	
1FSW-16-25X5M	1"	25	15	5	47.6	9.6	55	
1FSW-16-30X4M	1"	30	22	4	47.6	9.6	55	
1FSW-16-30X6M	1"	30	18	6	47.6	9.6	67	
1FSW-20-30X4M	1.1/4"	30	22	4	54	10.4	60	
1FSW-20-30X6M	1.1/4"	30	18	6	54	10.4	60	
1FSW-20-38X5M	1.1/4"	38	28	5	54	10.4	60	
1FSW-20-38X8M	1.1/4"	38	22	8	54	10.4	60	
1FSW-24-38X5M	1.1/2"	38	28	5	63.5	12.7	65	
1FSW-24-38X8M	1.1/2"	38	22	8	63.5	12.7	65	
1FSW-24-51X8M	1.1/2"	51	35	8	63.5	12.7	65	
1FSW-32-50X9M	2"	50	32	9	79.4	12.7	70	
1FSW-32-65X8M	2"	65	49	8	79.4	12.7	70	
1FSW-40-74X14.5M	2.1/2"	74	45	14.5	107.8	20.6	90	
1FSW-48-90X16M	3"	90	58	16	131.7	25.6	110	

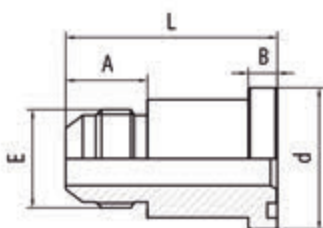
4FS-M



S-SERIES FLANGE PLUG

Part No.	FLANGE SIZE	Dimensions				MPa
		D	d	B	L	
4FS-08M	1/2"	24	31.7	7.9	18	42
4FS-12M	3/4"	32	41.3	8.9	18	
4FS-16M	1"	38	47.6	9.6	18	
4FS-20M	1.1/4"	44	54	10.4	18	
4FS-24M	1.1/2"	51	63.5	12.7	20	
4FS-32M	2"	67	79.4	12.7	30	

1JFS

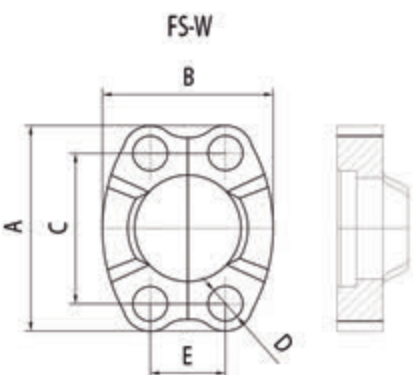
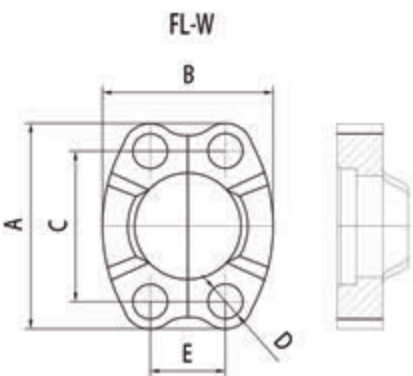
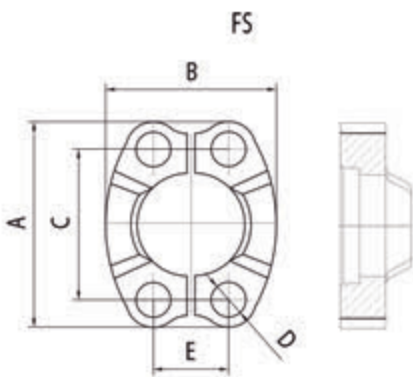
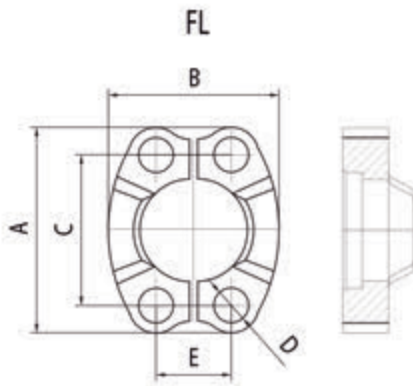


JIC MALE 74° CONE/S-SERIES FLANGE

Part No.	Thread	FLANGE SIZE	Dimensions			
			A	B	L	d
1JFS-08	3/4"-16	1/2"	16.7	7.9	47.5	31.7
1JFS-10-08	7/8"-14	1/2"	19.3	7.9	50	31.7
1JFS-10-12	7/8"-14	3/4"	19.3	8.9	55	41.3
1JFS-12	1.1/16"-12	3/4"	21.9	8.9	56.7	41.3
1JFS-12-16	1.1/16"-12	1"	21.9	9.6	61.5	47.6
1JFS-16-12	1.5/16"-12	3/4"	23.1	8.9	57.8	41.3
1JFS-16	1.5/16"-12	1"	23.1	9.6	62.8	47.6
1JFS-16-20	1.5/16"-12	1.1/4"	23.1	10.4	67.7	54
1JFS-20-16	1.5/8"-12	1"	24.3	9.6	64	47.6
1JFS-20	1.5/8"-12	1.1/4"	24.3	10.4	68.9	54
1JFS-24	1.7/8"-12	1.1/2"	27.5	12.7	76.7	63.5

Please add T after the item number if you need to order one set with flange clamp, O-ring and bolts, such as "1JFS-12 T"

G. FLANGE ADAPTERS



L-SERIES SPLIT FLANGE CLAMPS

Part No.	FLANGE SIZE	BOLT	MPa	Dimensions				
				A	B	C	D	E
FL-08	1/2"	M8X25	34.5	53.8	46.1	38.1	9	17.5
FL-12	3/4"	M10X30		65	52.4	47.6	11	22.2
FL-16	1"	M10X30		69.9	58.7	52.4	11	26.2
FL-20	1.1/4"	M10X30	27.6	79.2	73	58.7	11	30.2
FL-24	1.1/2"	M12X35	20.7	93.7	82.6	69.9	13.5	35.7
FL-32	2"	M12X35		101.6	96.8	77.8	13.5	42.9
FL-40	2.1/4"	M12X40	17.2	114	109	88.9	13.5	50.8
FL-48	3"	M16X50	13.8	135	130.6	106.4	17.5	61.9

S-SERIES SPLIT FLANGE CLAMPS

Part No.	FLANGE SIZE	BOLT	MPa	Dimensions				
				A	B	C	D	E
FS-08	1/2"	M8X30	42	56.3	49.2	40.5	9	18.2
FS-12	3/4"	M10X35		71.4	61.8	50.8	11	23.8
FS-16	1"	M12X45		81	71.4	57.2	13	27.8
FS-20	1.1/4"	M14X50		95.3	79.2	66.7	15	31.8
FS-24	1.1/2"	M16X55		112.8	96.8	79.4	17	36.6
FS-32	2"	M20X70		133.4	115.6	96.8	21	44.4

L-SERIES WHOLE FLANGE CLAMPS

Part No.	FLANGE SIZE	BOLT	MPa	Dimensions				
				A	B	C	D	E
FL-08W	1/2"	M8X25	34.5	53.8	46.1	38.1	9	17.5
FL-12W	3/4"	M10X30		65	52.4	47.6	11	22.2
FL-16W	1"	M10X30		69.9	58.7	52.4	11	26.2
FL-20W	1.1/4"	M10X30	27.6	79.2	73	58.7	11	30.2
FL-24W	1.1/2"	M12X35	20.7	93.7	82.6	69.9	13.5	35.7
FL-32W	2"	M12X35		101.6	96.8	77.8	13.5	42.9
FL-40W	2.1/4"	M12X40	17.2	114	109	88.9	13.5	50.8
FL-48W	3"	M16X50	13.8	135	130.6	106.4	17.5	61.9

S-SERIES WHOLE FLANGE CLAMPS

Part No.	FLANGE SIZE	BOLT	MPa	Dimensions				
				A	B	C	D	E
FS-08W	1/2"	M8X30	42	56.3	49.2	40.5	9	18.2
FS-12W	3/4"	M10X35		71.4	61.8	50.8	11	23.8
FS-16W	1"	M12X45		81	71.4	57.2	13	27.8
FS-20W	1.1/4"	M14X50		95.3	79.2	66.7	15	31.8
FS-24W	1.1/2"	M16X55		112.8	96.8	79.4	17	36.6
FS-32W	2"	M20X70		133.4	115.6	96.8	21	44.4

Please add T after the item number if you need to order one set with O-ring and bolts, such as "FL-16T"

AF **A**XXION **F**LEX





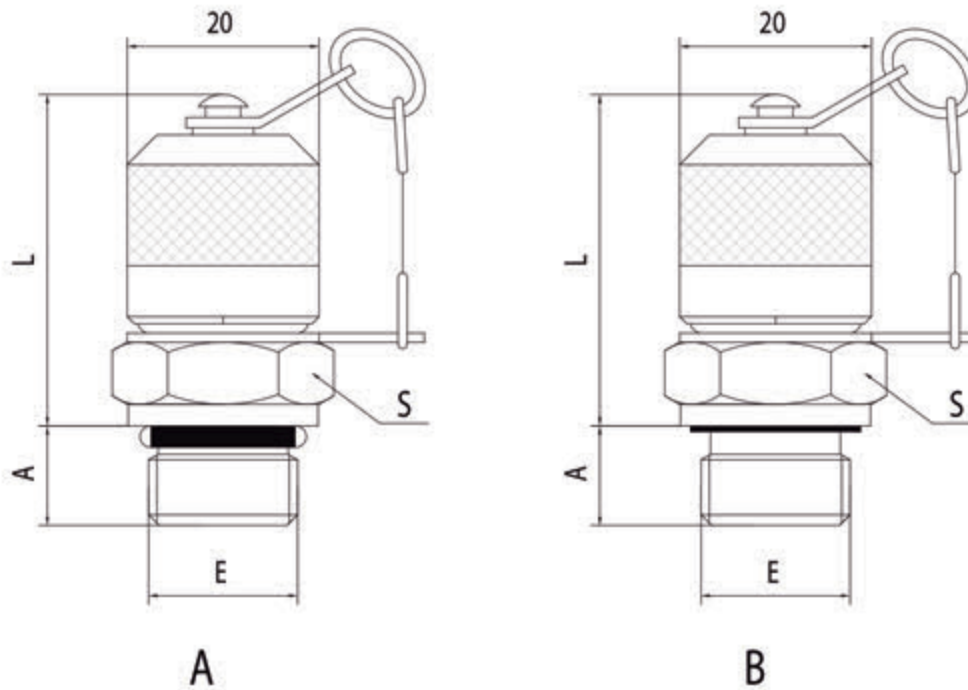


H. QUICK COUPLING & OTHERS



www.axxionflex.com

Test Points



Part No.	E Thread	Dimensions			(bar)	
	E	A	L	S		
S1CYH-16D-10	M10X1	8.5	38	17	630	A
S1CYH-16D-12	M12X1.5	11	38	17	630	A
S1CYH-16D-14	M14X1.5	11	38	19	630	A
S1CYH-16D-16	M16X1.5	12.5	38	22	630	A
S1CYW-16D-12WD	M12X1.5	12	38	17	630	B
S1CYW-16D-14WD	M14X1.5	12	38	19	630	B
S1CYW-16D-16WD	M16X1.5	12	38	22	630	B
S1CYG-16D-02	G1/8"-28	9.5	38	17	630	A
S1CYG-16D-04	G1/4"-19	12	38	19	630	A
S1CYG-16D-06	G3/8"-19	12	38	22	630	A
S1CYB-16D-04WD	G1/4"-19	12	38	19	630	B
S1CYB-16D-06WD	G3/8"-19	12	38	22	630	B
S1CYO-16D-04	U7/16"-20	11	38	14	630	A
S1CYO-16D-06	U9/16"-18	12	38	17	630	A

Other materials, designs, sealing and screw-in threads on request.

We reserve the right to carry out technical modifications.



QUICK RELEASE COUPLINGS - ISO 7241A



- Specialty :high strength carbon steel,galvanized surface treatment,bothends with one-way valve,locked by steel ball
- Treads:the dimension of BSP(G),NPT is from 1/4"to2"(if need larger sizes pls contact with us)
- Working temperature:-30 to 100°C

Item NO	model NO(male)	model NO(female)	internal thread	length (male)	length (female)	OD	Hexagon	Maximum working pressure(bar)
KSA-G1/4"	KSA-G1/4"M	KSA-G1/4"F	BSP-1/4"	35	49	26	19	350
KSA-Z1/4"	KSA-Z1/4"M	KSA-Z1/4"F	NPT-1/4"					
KSA-G3/8"	KSA-G3/8"M	KSA-G3/8"F	BSP-3/8"	42.5	60.5	30	22	350
KSA-Z3/8"	KSA-Z3/8"M	KSA-Z3/8"F	NPT-3/8"					
KSA-G1/2"	KSA-G1/2"M	KSA-G1/2"F	BSP-1/2"	70	48	38	27	250
KSA-Z1/2"	KSA-Z1/2"M	KSA-Z1/2"F	NPT-1/2"					
KSA-G3/4"	KSA-G3/4"M	KSA-G3/4"F	BSP-3/4"	84.5	57	45	34	250
KSA-Z3/4"	KSA-Z3/4"M	KSA-Z3/4"F	NPT-3/4"					
KSA-G1"	KSA-G1"M	KSA-G1"F	BSP-1"	99	65.5	52	41	200
KSA-Z1"	KSA-Z1"M	KSA-Z1"F	NPT-1"					
KSA-G1.1/4"	KSA-G1.1/4"M	KSA-G1.1/4"F	BSP-1.1/4"	117	75	70	50	190
KSA-Z1.1/4"	KSA-Z1.1/4"M	KSA-Z1.1/4"F	NPT-1.1/4"					
KSA-G1.1/2"	KSA-G1.1/2"M	KSA-G1.1/2"F	BSP-1.1/2"	84	82	133	60	190
KSA-Z1.1/2"	KSA-Z1.1/2"M	KSA-Z1.1/2"F	NPT-1.1/2"					
KSA-G2"	KSA-G2"M	KSA-G2"F	BSP-2"	169	108	99	75	160
KSA-Z2"	KSA-Z2"M	KSA-Z2"F	NPT-2"					

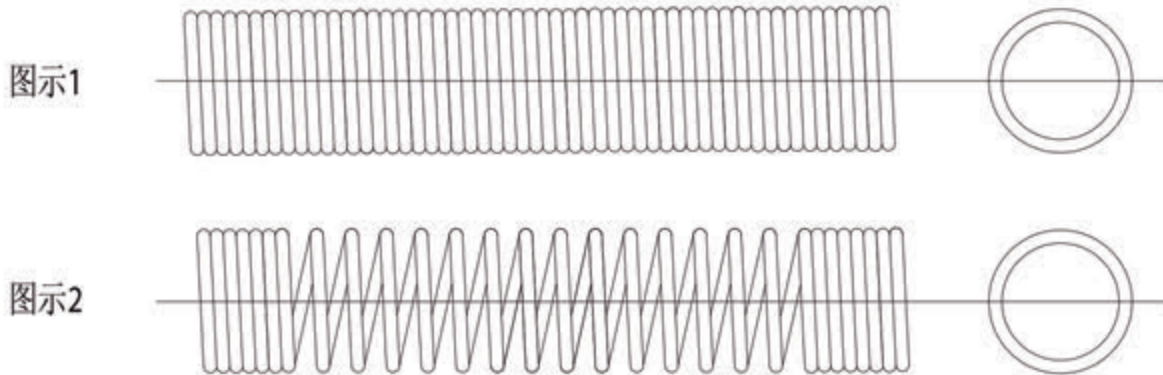
FLAT-FACE COUPLINGS - ISO 16028



- Specialty: high strength carbon steel,galvanized surface treatment flat face, locked by steel ball
 - Advantage of flat-face couplings:less gas entrapment on connection, avoid the dust polluting the oil-way,keep oil from leakage when removing, avoid the loss of oil or any environment pollution
 - Tread: BSP(G), NPT
 - Dimension is from 1/4"to2"(if need larger sizes please contact with us)
- Working temperature: -30 to 100°C

Item No	Model No (Male)	Model No (female)	In ternal thread	Lenght(Male)	Length(Female)	OD	Hexagon	(bar) Maximum working pressure
KSP-G1/4	KSP-G1/4M	KSP-G1/4F	BSP1/4"	53.5	52.5	27	22	315
KSP-Z1/4	KSP-Z1/4M	KSP-Z1/4F	NPT1/4"					
KSP-G3/8	KSP-G3/8M	KSP-G3/8F	BSP3/8"	63.5	68	32	27	250
KSP-Z3/8	KSP-Z3/8M	KSP-Z3/8F	NPT3/8"					
KSP-G1/2	KSP-G1/2M	KSP-G1/2F	BSP1/2"	76	78.5	38	32	250
KSP-Z1/2	KSP-Z1/2M	KSP-Z1/2F	NPT1/2"					
KSP-G3/4	KSP-G3/4M	KSP-G3/4F	BSP3/4"	80.5	87.5	38	46	250
KSP-Z3/4	KSP-Z3/4M	KSP-Z3/4F	NPT3/4"					
KSP-G1	KSP-G1M	KSP-G1F	BSP1"	84.5	87.5	48	48	250
KSP-Z1	KSP-Z1M	KSP-Z1F	NPT1"					
KSP-Z1-1/4	KSP-G1-1/4M	KSP-G1-1/4F	BSP1-1/4"	90	106	55	55	250
KSP-Z1-1/4	KSP-Z1-1/4M	KSP-Z1-1/4F	NPT1-1/4"					

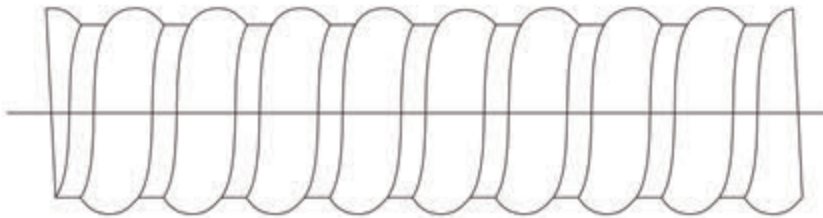
Spring guard



No.	Part No.	ID (mm)	Steel wire ϕ	Fit Hose
1	SP-15	15	1.5	1T-04
2	SP-17	17	1.5	1T-05、2T-04
3	SP-19	19	1.5	1T-06、2T-05、4SP-04
4	SP-22	22	2	2T-06、R12-06、1T-08
5	SP-23	23	2	4SP-06、2T-08
6	SP-25	25	2	1T-10、R12-08
7	SP-26	26	2	4SP-08
8	SP-27	27	2	2T-10
9	SP-29	29	2	R12-10、1T-12、4SP-10
10	SP-31	31	2	2T-12
11	SP-32	32	2	R12-12
12	SP-33	33	2	4SP-12、4SH-12、R13-12、R15-12
13	SP-37	37	2	1T-16
14	SP-40	40	2	2T-16、R12-16、R13-16、R15-16、4SH16
15	SP-42	42	2.5	4SP-16
16	SP-45	45	2.5	1T-20
17	SP-47	47	2.5	4SH-20
18	SP-49	49	2.5	2T-20、R12-20
19	SP-51	51	2.5	R13-20、R15-20
20	SP-52	52	2.5	1T-24、4SP-20
21	SP-55	55	2.5	R12-24、4SH-24
22	SP-56	56	2.5	2T-24
23	SP-59	59	2.5	4SP-24、R13-24、R15-24
24	SP-66	66	2.5	1T-32
25	SP-69	69	2.5	2T-32、R12-32
26	SP-71	71	2.5	4SP-32、4SH-32
27	SP-74	74	2.5	R13-32

- Note: 1、 Image 1 shows the contraction of the spring,Image 2 shows the state after tensile;
 2、 Generally the minimum order length of spring should be 1 meter;
 3、 The fit hose only for reference .Please measure when you use.

Spiral Plastic Protective Sleeve



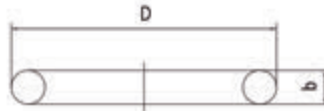
Part No.	ID (mm)	HOSE OD(mm)
RNL-08	Ø8	Ø8-Ø12
RNL-10	Ø10	Ø10-Ø15
RNL-12	Ø12	Ø12-Ø16
RNL-16	Ø16	Ø16-Ø24
RNL-18	Ø18	Ø18-Ø27
RNL-21	Ø21	Ø21-Ø32
RNL-25	Ø25	Ø25-Ø38
RNL-28	Ø28	Ø28-Ø42
RNL-30	Ø30	Ø30-Ø45
RNL-32	Ø32	Ø32-Ø48
RNL-35	Ø35	Ø35-Ø50
RNL-38	Ø38	Ø38-Ø55
RNL-42	Ø42	Ø42-Ø60
RNL-45	Ø45	Ø45-Ø68
RNL-50	Ø50	Ø50-Ø75
RNL-60	Ø60	Ø60-Ø90

Description: 1、 Working Temp:-40~125°C

2、 Anti-statics,Good Wear Resistant,Long Working Life,Small Bend Red ius

3、 Air,Water,Oil,Gasoline and Solvent Resistant.

Seal



For DIN 24° Cone O-ring L.T.

PART NO.	THREAD	DIMENSIONS		TUBE O.D.
		D	b	
O07.5X1.5	M12X1.5	7.5	1.5	6
O09.5X1.5	M14X1.5	9.5	1.5	8
O11.5X1.5	M16X1.5	11.5	1.5	10
O13.5X1.5	M18X1.5	13.5	1.5	12
O15.5X2.0	M20X1.5	15.5	2.0	14
O16.5X2.0	M22X1.5	16.5	2.0	15
O20.0X2.0	M26X1.5	20	2.0	18
O20.0X2.0	M27X1.5	20	2.0	18
O24.0X2.0	M30X2	24	2.0	22
O30.0X2.0	M36X2	30	2.0	28
O32.0X2.5	M39X2	32	2.5	30
O37.0X2.5	M45X2	37	2.5	35
O44.0X2.5	M52X2	44	2.5	42

For ISO 6162 Flange O-ring

PART NO.	FLANGE SIZE	DIMENSIONS	
		D	b
O25.70X3.53	1/2"	25.7	3.53
O32.05X3.53	3/4"	32.05	3.53
O39.98X3.53	1"	39.98	3.53
O44.75X3.53	1.1/4"	44.75	3.53
O54.28X3.53	1.1/2"	54.28	3.53
O63.80X3.53	2"	63.8	3.53
O76.50X3.53	2.1/2"	76.5	3.53

For DIN 24° Cone O-ring H.T.

PART NO.	THREAD	DIMENSIONS		TUBE O.D.
		D	b	
O07.5X1.5	M14X1.5	7.5	1.5	6
O09.5X1.5	M16X1.5	9.5	1.5	8
O11.5X1.5	M18X1.5	11.5	1.5	10
O13.5X1.5	M20X1.5	13.5	1.5	12
O16.0X2.0	M22X1.5	16	2.0	14
O18.0X2.0	M24X1.5	18	2.0	16
O22.0X2.5	M30X2	22	2.5	20
O27.0X2.5	M36X2	27	2.5	25
O32.0X2.5	M42X2	32	2.5	30
O40.0X2.5	M52X2	40	2.5	38

For BSP Male O-ring

PART NO.	FLANGE SIZE	DIMENSIONS	
		D	b
O16.01X2.62	G1/4"X19	16.01	2.62
O19.18X2.62	G3/8"X19	19.18	2.62
O23.00X2.62	G1/2"X14	23	2.62
O24.10X2.46	G5/8"X14	24.1	2.46
O28.71X2.62	G3/4"X14	28.71	2.62
O36.80X3.53	G1"X11	36.8	3.53
O44.75X3.53	G1.1/4"X11	44.75	3.53
O51.10X3.53	G1.1/2"X11	51.1	3.53
O60.00X3.00	G2"X11	60	3.0

For ORFS Male O-ring

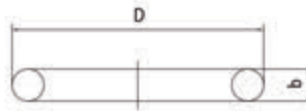
PART NO.	THREAD	DIMENSIONS	
		D	b
O11.25X1.78	U9/16"X18	11.25	1.78
O12.81X1.78	U11/16"X16	12.81	1.78
O15.98X1.78	U13/16"X16	15.98	1.78
O19.16X1.78	U1"X14	19.16	1.78
O22.33X1.78	U1.3/16"X12	22.33	1.78
O27.08X1.78	U1.7/16"X12	27.08	1.78
O33.43X1.78	U1.11/16"X12	33.43	1.78

For Metric Male Adjustable Stud End O-ring

PART NO.	FLANGE SIZE	DIMENSIONS	
		D	b
O11.3X1.6	M10X1	11.3	1.6
O14.0X2.4	M12X1.5	14	2.4
O16.0X2.4	M14X1.5	16	2.4
O18.0X2.4	M16X1.5	18	2.4
O20.0X2.4	M18X1.5	20	2.4
O22.0X2.4	M20X1.5	22	2.4
O24.0X2.4	M22X1.5	24	2.4
O27.3X3.0	M24X1.5	27.3	3.0
O29.5X3.0	M27X2	29.5	3.0
O32.5X3.0	M30X2	32.5	3.0
O35.5X3.0	M33X2	35.5	3.0
O44.5X3.0	M42X2	44.5	3.0
O50.5X3.0	M48X2	50.5	3.0

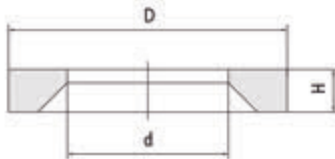
ADDITIONAL INFORMATION

Seal

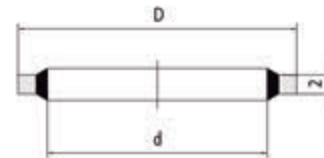


Staple-lok O-ring			
PART NO.	FITTING SIZE	DIMENSIONS	
		D	b
O10X2.0	04	10	2.0
O14X2.0	05	14	2.0
O14X2.0	06	14	2.0
O18X2.5	08	18	2.5
O20X2.5	10	20	2.5
O24X2.5	12	24	2.5
O30X2.5	16	30	2.5
O38X2.5	20	38	2.5
O46X3.0	24	46	3.0
O55X3.0	32	55	3.0

For SAE Male O-ring			
PART NO.	THREAD	DIMENSIONS	
		D	b
O12.58X1.83	U7/16"-20	12.58	1.83
O14.18X1.83	U1/2"-20	14.18	1.83
O15.85X1.98	U9/16"-18	15.85	1.98
O20.78X2.21	U3/4"-16	20.78	2.21
O24.10X2.46	U7/8"-14	24.1	2.46
O29.37X2.95	U1.1/16"-12	29.37	2.95
O32.52X2.95	U1.3/16"-12	32.52	2.95
O35.64X2.95	U1.5/16"-12	35.64	2.95
O43.46X3.00	U1.5/8"-12	43.46	3.0
O49.69X3.00	U1.7/8"-12	49.69	3.0
O65.36X3.00	U2.1/2"-12	65.36	3.0



For BSP Male O-ring				
PART NO.	THREAD	DIMENSIONS		
		d	D	H
WD-B02	G1/8"X28	8.4	11.9	1.0
WD-B04	G1/4"X19	11.6	16.5	1.5
WD-B06	G3/8"X19	14.7	18.9	1.5
WD-B08	G1/2"X14	18.5	23.9	1.5
WD-B12	G3/4"X14	23.9	29.2	1.5
WD-B16	G1"X11	29.7	35.7	2.0
WD-B20	G1.1/4"X11	38.8	45.8	2.0
WD-B24	G1.1/2"X11	44.7	50.7	2.0
WD-B02	M10X1	8.4	11.9	1.0
WD-M12	M12X1.5	9.8	14.4	1.5
WD-B04	M14X1.5	11.6	16.5	1.5
WD-M16	M16X1.5	13.8	18.9	1.5
WD-M18	M18X1.5	15.7	20.9	1.5
WD-M20	M20X1.5	17.8	22.9	1.5
WD-M22	M22X1.5	19.6	24.3	1.5
WD-B12	M26X1.5	23.9	29.2	1.5
WD-B12	M27X2	23.9	29.2	1.5
WD-B16	M33X2	29.7	35.7	2.0
WD-B20	M42X2	38.8	45.8	2.0
WD-B24	M48X2	44.7	50.7	2.0



PART NO.	THREAD	DIMENSIONS	
		d	D
ZHD-10	M10, G1/8"	10.4	16
ZHD-14	M14, G1/4"	14.4	20
ZHD-16	M16	16.4	22
ZHD-18	M18, G3/8"	18.4	25
ZHD-22	M22, G1/2"	22.5	30
ZHD-24	M24	24.5	32
ZHD-27	M27, G3/4"	27.5	35
ZHD-30	M30	30.5	38
ZHD-33	M33, G1"	33.5	42
ZHD-36	M36	36.6	46
ZHD-42	M42, G1.1/4"	42.6	53
ZHD-45	M45	45.6	56
ZHD-48	M48, G1.1/2"	48.7	60
ZHD-52	M52	52.7	66
ZHD-60	M60, G2"	60.7	75



Recommended Thread Torque

Metric Thread

THREAD	n.m
M12X1.5	10-20
M14X1.5	20-35
M16X1.5	25-40
M18X1.5	30-45
M20X1.5	35-50
M22X1.5	40-70
M24X1.5	40-70
M26X1.5	60-100
M30X2	80-120
M36X2	100-150
M42X2	150-220
M45X2	180-250
M52X2	200-300

BSP Thread

THREAD	n.m
G1/8"X28	9-12
G1/4"X19	15-24
G3/8"X19	26-38
G1/2"X14	41-49
G5/8"X14	50-60
G3/4"X14	68-81
G1"X11	107-129
G1.1/4"X11	172-206
G1.1/2"X11	226-258
G2"X11	355-426

JIC Thread

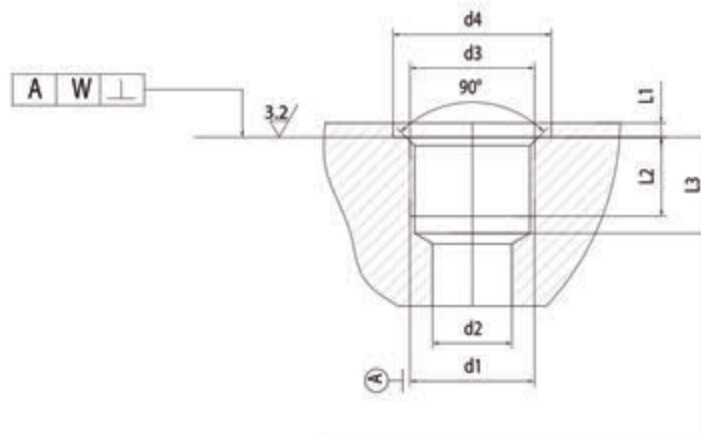
THREAD	n.m
7/16"-20	13-15
1/2"-20	18-20
9/16"-18	23-26
3/4"-16	47-52
7/8"-14	69-76
1.1/16"-12	96-106
1.3/16"-12	108-125
1.5/16"-12	127-141
1.5/8"-12	169-188
1.7/8"-12	212-235
2.1/2"-12	296-329

ORFS Thread

THREAD	n.m
9/16"-18	14-16
11/16"-16	24-27
13/16"-16	43-54
1"-14	60-75
1.3/16"-12	90-110
1.7/16"-12	125-140
1.11/16"-12	170-190
2"-12	200-245

Port Dimensions

ISO9974-1 metric thread port and mating stud end



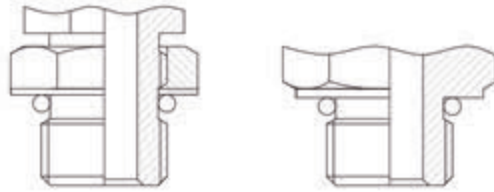
This dimension only applies when tap drill cannot pass through entire boss

Port

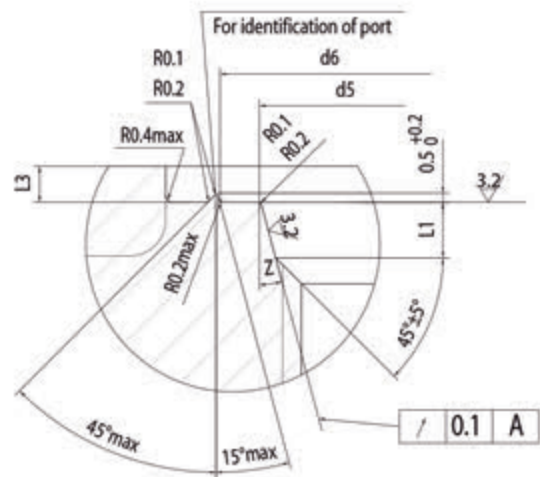
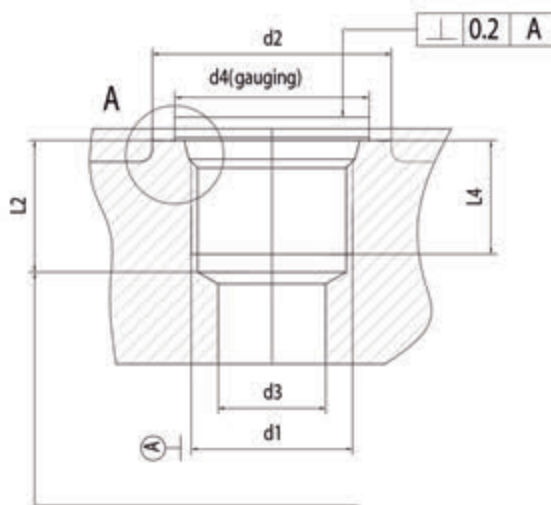
Port Dimensions mm

THREAD d1	d2 ref.	d3		d4 min.	L1 max.	L2 min.	L3 min.	w
		nom.	tol.					
M8X1	3	8	0,+0.2	13	1	8	10	0.1
M10X1	4.5	10	0,+0.2	15	1	8	10	0.1
M12X1.5	6	12	0,+0.2	18	1.5	12	15	0.1
M14X1.5	7	14	0,+0.2	20	1.5	12	15	0.1
M16X1.5	9	16	0,+0.2	23	1.5	12	15	0.1
M18X1.5	11	18	0,+0.2	25	2	12	15	0.1
M20X1.5	10	20	0,+0.2	27	2	14	17	0.1
M22X1.5	14	22	0,+0.2	28	2.5	14	17	0.1
M26X1.5	18	26	0,+0.2	33	2.5	16	19	0.2
M27X2	16	27	0,+0.2	33	2.5	16	20	0.2
M33X2	23	33	0,+0.3	41	2.5	18	22	0.2
M42X2	30	42	0,+0.3	51	2.5	20	24	0.2
M48X2	36	48	0,+0.3	56	2.5	22	36	0.2

ISO6149-1 metric thread port and mating stud end



ISO 6149-2, ISO 6149-3 stud end



ISO 6149-1 Port

Port Dimensions mm

THREAD d1	d2		d3 ref.	d4	d5 +0.1 0	d6 +0.5 0	L1 +0.4 0	L2 min.	L3 max.	L4 min.	Z° ±1°	O-RING
	min. ¹⁾	min. ²⁾										
M8X1	17	14	3	12.5	9.1	14	1.6	11.5	1	10	12	6.1X1.6
M10X1	20	16	4.5	14.5	11.1	16	1.6	11.5	1	10	12	8.1X1.6
M12X1.5	23	19	6	17.5	13.8	19	2.4	14	1.5	11.5	15	9.3X2.2
M14X1.5	25	21	7.5	19.5	15.8	21	2.4	14	1.5	11.5	15	11.3X2.2
M16X1.5	28	24	9	22.5	17.8	24	2.4	15.5	1.5	13	15	13.3X2.2
M18X1.5	30	26	11	24.5	19.8	26	2.4	17	2	14.5	15	15.3X2.2
M20X1.5	32	27	--	25.5	21.8	27	2.4	--	2	14.5	15	17.3X2.2
M22X1.5	34	29	14	27.5	23.8	29	2.4	18	2	15.5	15	19.3X2.2
M27X2	40	34	18	32.5	29.4	34	3.1	22	2	19	15	23.6X2.9
M33X2	49	43	23	41.5	35.4	43	3.1	22	2.5	19	15	29.6X2.9
M42X2	60	52	30	50.5	44.4	52	3.1	22.5	2.5	19.5	15	38.6X2.9
M48X2	66	57	36	55.5	50.4	57	3.1	25	2.5	22	15	44.6X2.9
M60X2	76	67	44	65.5	62.4	67	3.1	27.5	2.5	24.5	15	56.6X2.9

DIN 3852 BSP thread port and mating stud end



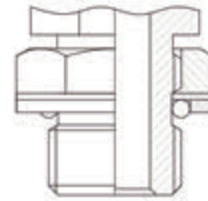
DIN 3852 Type A



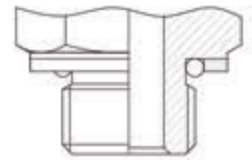
DIN 3852 Type B



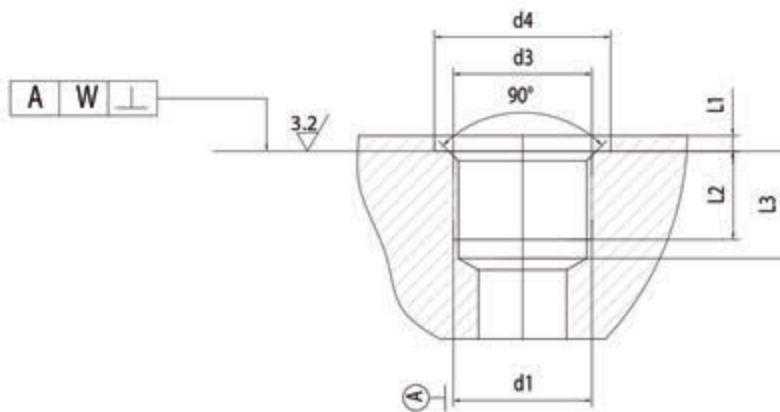
DIN 3852 Type E



O-ring Seal



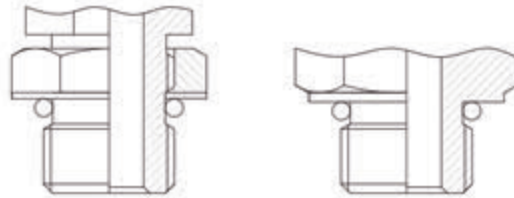
O-ring Seal



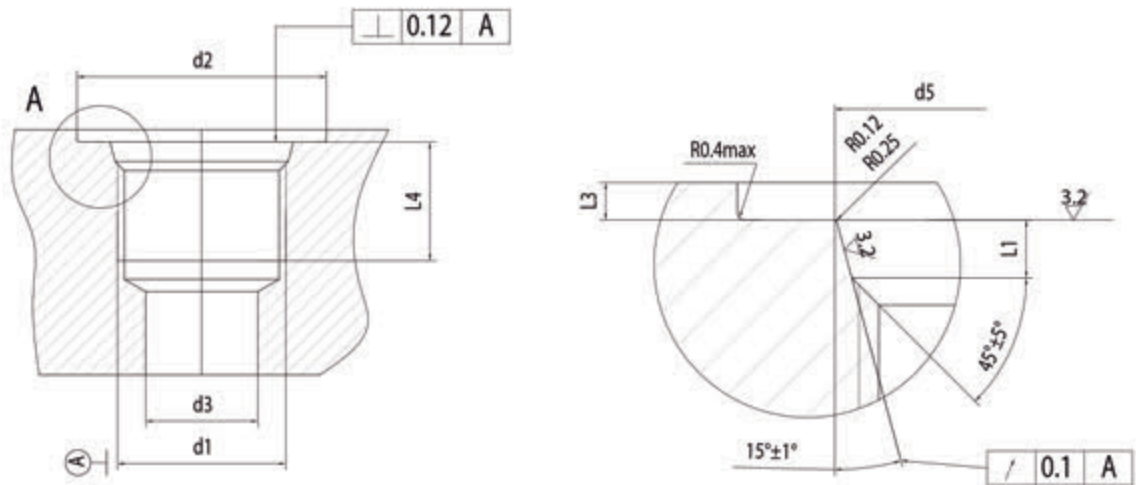
DIN 3852 Port
Port Dimensions mm

THREAD d1	d3		d4		L1 max.	L2 min.	L3 min.	w
			+0.4 0					
			Type B, E.	Others				
G1/8X28	9.8	0,+0.2	15	19	1	8	13	0.1
G1/4X19	13.2	0,+0.2	19	25	1.5	12	18.5	0.1
G3/8X19	16.7	0,+0.2	23	28	2	12	18.5	0.1
G1/2X14	21	0,+0.2	27	34	2.5	14	22	0.1
G3/4X14	26.5	0,+0.2	33	42	2.5	16	24	0.2
G1X11	33.3	0,+0.3	40	47	2.5	18	27	0.2
G1.1/4X11	42	0,+0.3	50	58	2.5	20	29	0.2
G1.1/2X11	47.9	0,+0.3	56	65	2.5	22	31	0.2
G2X11	59.7	0,+0.3	69	76	3	24	33	0.2

BS5380 BSP thread port and mating stud end



BS 5380 BS 5380 stud end



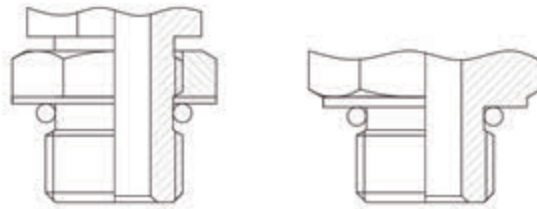
BS 5380 Port

Port Dimensions mm

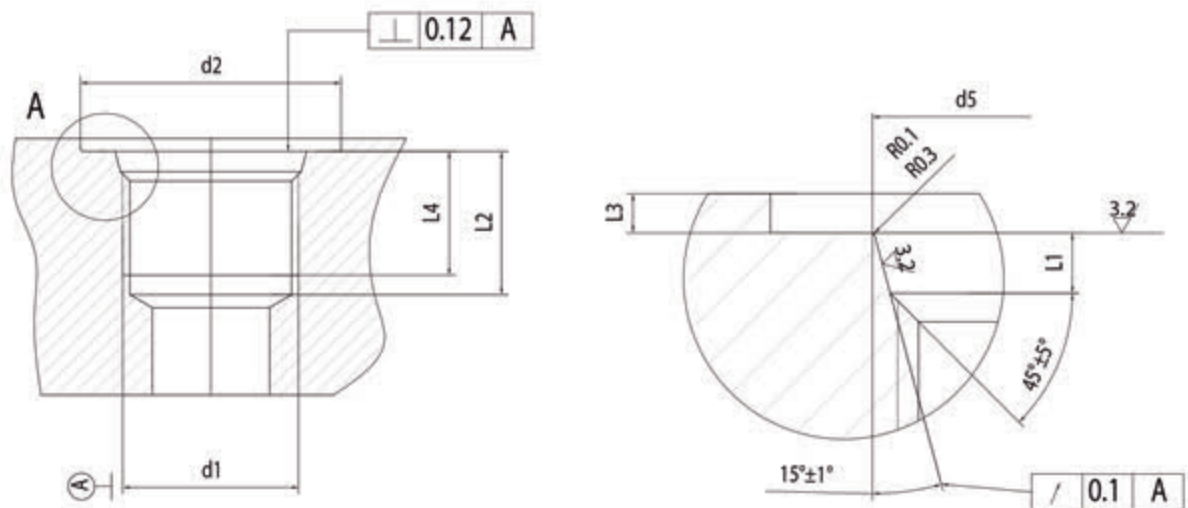
THREAD d1	d2 min.	d3 max.	d5 +0.12 0	L1 +0.4 0	L3 max.	L4 min.	O-RING
G1/8X28	15	14	11.24	1.3	0.6	10.5	8.1X1.6
G1/4X19	19	18	14.16	1.2	0.6	11	10.1X1.6
G3/8X19	23	22	18.86	1.9	0.6	12.5	13.6X2.4
G1/2X14	27	26	22.40	1.9	0.8	15	17.6X2.4
G5/8X14	31	30	26.00	2.4	0.8	16.3	19.5X3
G3/4X14	33	32	28.92	2.4	1.1	16.3	22.5X3
G1X11	40	39	35.50	2.4	1.1	19.1	29.5X3
G1.1/4X11	50	49	43.56	2.4	1.1	21.4	36.5X3
G1.1/2X11	56	55	49.42	2.4	1.1	22.5	42.5X3
G2X11	69	68	61.42	2.4	1.1	25.7	54.5X3

ADDITIONAL INFORMATION

JIS B2351 BSP thread port and mating stud end



JIS B2351 柱端 JIS B2351 stud end



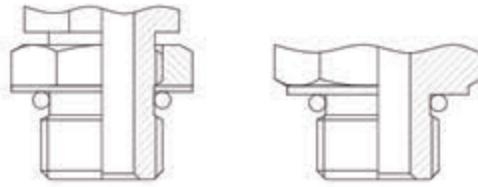
JIS B2351 Port

Port Dimensions mm

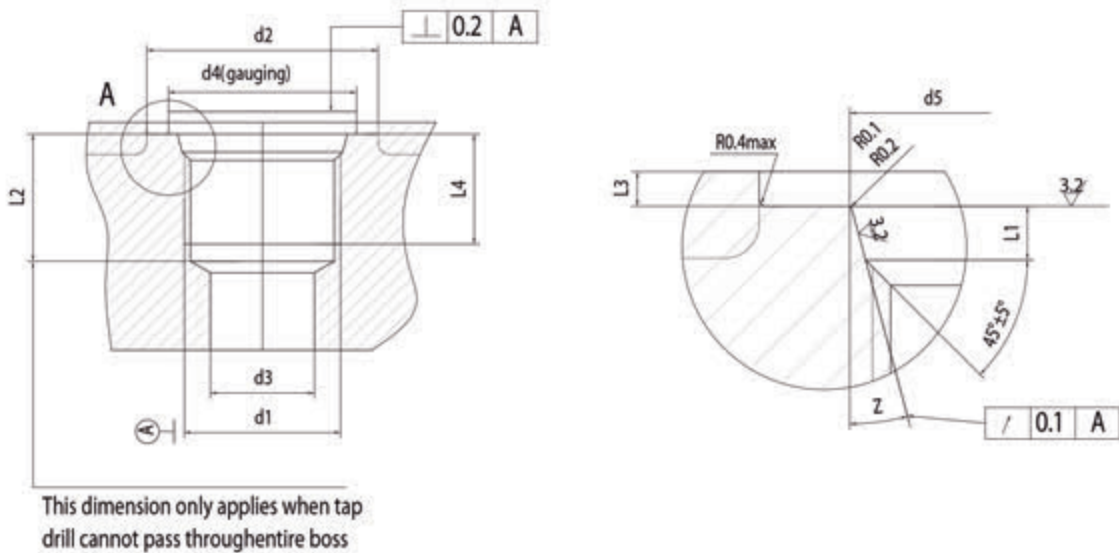
THREAD d1	d2 ±0.3	d5 +0.1 0	L1 +0.4 0	L2 min.	L3 max.	L4 min.	O-RING
G1/8X28	18	11.6	2	15	1	10	7.8X1.9
G1/4X19	24	15.6	2.5	18	1.5	12	10.8X2.4
G3/8X19	28	18.6	2.5	18	2	12	13.8X2.4
G1/2X14	34	22.6	2.5	24	2.5	16	17.8X2.4
G3/4X14	45	29.8	3.5	25	2.5	17	22.1X3.5
G1X11	51	35.8	3.5	30	2.5	21	28.7X3.5
G1.1/4X11	62	44.8	3.5	30	2.5	21.4	37.7X3.5
G1.1/2X11	68	50.8	3.5	30	2.5	21.4	43.7X3.5



ISO11926-1 SAE thread port and mating stud end



ISO 11926-2, ISO 11926-3 SAE thread stud end



ISO 11926-1 ISO 11926-1 SAE thread Port

Port Dimensions mm

THREAD d1	d2 min.	d3 ref.	d4 min.	d5 ±0.05	L1 +0.4 0	L2 min.	L3 max.	L4 min.	Z° ±1°	O-RING
5/16"-24	17	2.5	11	9.15	1.9	12	1.6	10	12	6.07X1.63
3/8"-24	19	3.5	13	10.75	2.4	12	1.6	10	12	7.65X1.63
7/16"-20	21	4.5	15	12.45	2.4	14	1.6	11.5	12	8.92X1.83
1/2"-20	23	6	16	14.05	2.5	14	1.6	11.5	12	10.52X1.83
9/16"-18	25	7.5	18	15.70	2.5	15.5	2.4	12.7	15	11.89X1.98
3/4"-16	30	10	22	20.65	2.5	17.5	2.4	14.3	15	16.36X2.21
7/8"-14	34	12.5	26	24	3.3	20	2.4	16.7	15	19.18X2.46
1.1/16"-12	41	16	32	29.2	3.3	23	2.4	19	15	23.47X2.95
1.3/16"-12	45	18	35	32.4	3.3	23	2.4	19	15	26.62X2.95
1.5/16"-12	49	21	38	35.55	3.3	23	3.2	19	15	29.74X2.95
1.5/8"-12	58	27	48	43.55	3.3	23	3.2	19	15	37.46X3.00
1.7/8"-12	65	33	54	49.9	3.3	23	3.2	19	15	43.69X3.00
2.1/2"-12	88	45	70	65.75	3.3	23	3.2	19	15	59.36X3.00



AF AXXION FLEX



AF **AXXION FLEX**

 **USA BRAND**



sales@axxionflex.com • Phone: +1 786 655 7577 U.S.A

www.axxionflex.com